



The world's No.1.  
Fact.

NGK Spark Plugs (UK) Limited  
Maylands Avenue  
Hemel Hempstead  
Hertfordshire  
HP2 4SD

Tel: 01442 281000  
Fax: 01442 281001

[www.ngkntk.co.uk](http://www.ngkntk.co.uk)

NGK MOTORCYCLE APPLICATIONS 2015



# Motorcycle

APPLICATIONS  
2015



[www.ngkntk.co.uk](http://www.ngkntk.co.uk)



Join us on [facebook.com/ngksparkplugsuk](https://www.facebook.com/ngksparkplugsuk) or at [twitter.com/ngk\\_uk](https://twitter.com/ngk_uk) for motorsport news, competitions and more, to fire us a question about NGK or a technical query about our products. We're waiting...



# FOR THE RIDE IN YOUR LIFE

Around the world bikers and bike manufacturers agree that when it comes to spark plugs, one plug is king. NGK. Which is why they are the world's No.1 OE fitment.



**TRUST.**  
ngkntk.co.uk



Join us on [facebook.com/ngksparkplugsuk](https://www.facebook.com/ngksparkplugsuk) or at [twitter.com/ngk\\_uk](https://twitter.com/ngk_uk) for motorsport news, competitions and more, to fire us a question about NGK or a technical query about our products. We're waiting...



**TRUST.**

As the world's No.1 OE manufacturer of spark plugs and the pioneers of copper core technology, trust NGK to deliver optimum performance whatever bike you ride.

- Perfect Ignition ■ Better cold weather starting ■ Better engine performance
- More complete combustion ■ Better emissions and cleaner exhaust
- Wider heat range over all driving conditions

**CORRUGATIONS**

To prevent flash over

**SPECIAL PACKING**

Excellent air tightness  
Robust construction

**INSULATOR**

Made of high purity alumina providing better heat dissipation, higher electrical insulation and stronger thermal shock resistance

**METAL SHELL**

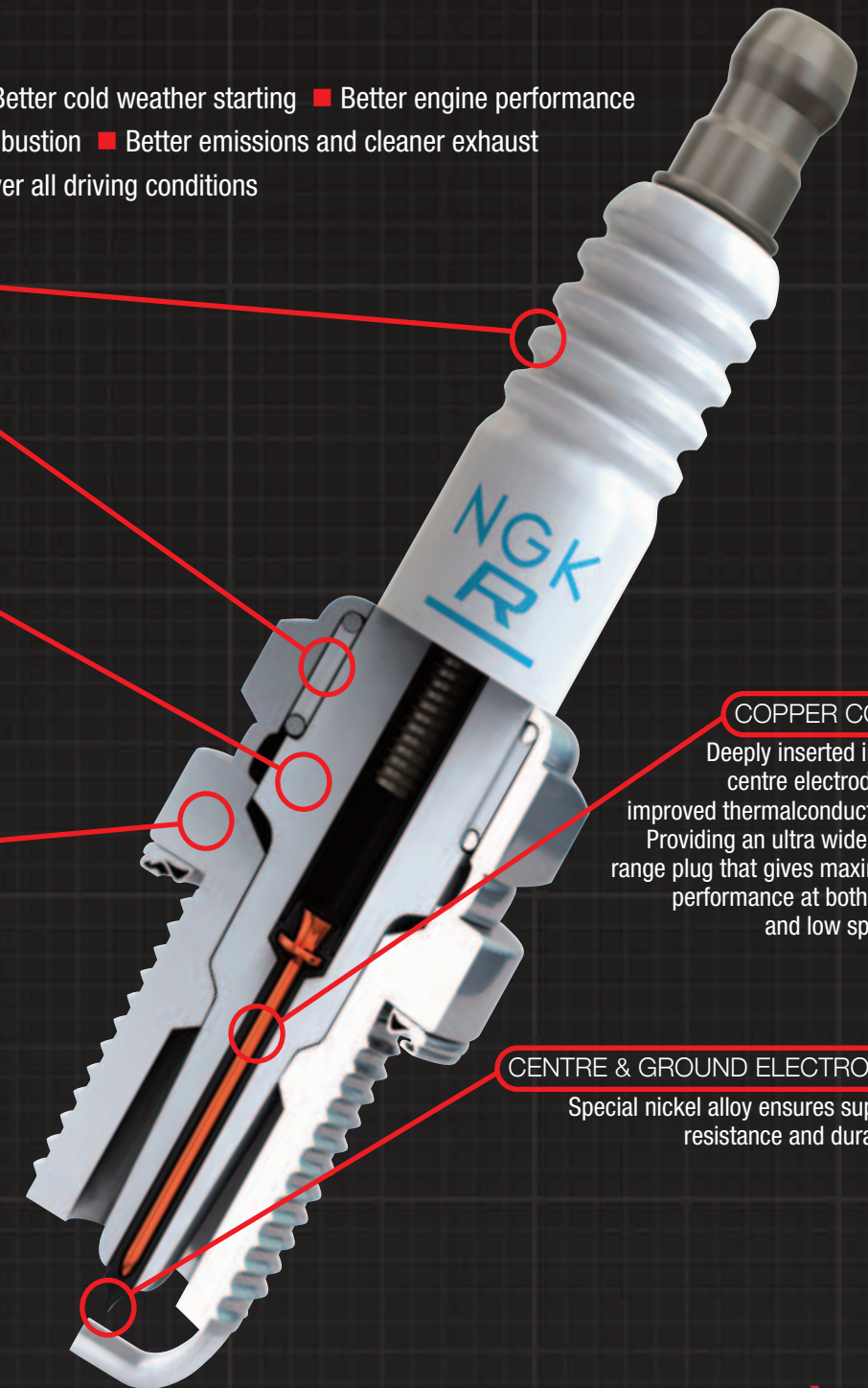
Plated and chromated to guard against corrosion

**COPPER CORE**

Deeply inserted in the centre electrode for improved thermal conductivity. Providing an ultra wide heat range plug that gives maximum performance at both high and low speeds

**CENTRE & GROUND ELECTRODES**

Special nickel alloy ensures superior resistance and durability



ORIGINAL EQUIPMENT SUPPLIERS TO:-

Aprilia BMW CCM Cagiva Derbi Ducati Gas Gas Honda Husqvarna Indian  
Kawasaki KTM Moto Guzzi Norton Peugeot Polaris Royal Enfield Scorpa  
Suzuki SMC TGB Triumph Victory Yamaha

[ngkntk.co.uk](http://ngkntk.co.uk)

# CONTENTS


## SPARK PLUG APPLICATIONS

Spark Plug Design	2
NGK's Copper Core Technology	3
The Best Spark Plug for every occasion	4
Fitting the Correct Spark Plug	5
The Iridium IX Spark Plug	6-7

Spark Plug Installation Tips	8
Spark Plug Gap Settings	8
Design Symbols	9
New Additions and Part Numbers	10

### 2 Wheel

Adly	11	Husqvarna	32-33
AJS	11	Hymoto	33
Aprilia	11-13	Hyosung	33-34
Atala	13	Indian	34
Bajaj	13	Italjet	34
Baotian	13	Jawa-CZ	34
Barossa	13	Jialing	35
Bashan	13	Jianshe	35
Batavus	13	Jinlun	35
Beeline	13	Jonway	35
Benelli	14	Kawasaki	35-39
Benzhou	14	Kenos	39
Beta/Betamotor	14-16	Keeway	39
Bimota	16	Kreidler	39
BMW	16-17	KTM	40-42
BSA	17	Kymco	42-43
Buell	18	Lambretta	43
Cagiva	18-19	Laverda	43
Can-Am (BRP)	19	LEM	43
CCM (Armstrong-CCM)	19	Lexmoto	43
CF Moto	19	Lifan	44
Cossack	19	LML	44
CPI	20	Magni	44
Daelim	20	Maico	44
Derbi	20-21	Malaguti	44
Ducati	21-23	MBK	45
EBR	23	Montesa	45
Fantic	23	Moto Guzzi	45-46
Gas Gas	23-24	Moto Morini	46
Generic	24-25	Moto Roma	46-47
Gilera	25	Motobecane	47
Harley Davidson	26	Motorhispania	47
Hero-Puch	26	MS	47
Hesketh	26	MV Agusta	47
Honda	26-31	MZ	48
Huoniao	31	Neval	48
Husaberg	31	Nipponia	48

Norton	48	Yamasaki	66
Ossa	48	Znen	66
Peugeot	48-49	Zongshen	66
PGO	49		
Piaggio/Vespa	50-51	<b>ATV Quad</b> 	
Pioneer	51	Adly	67
Puch	51	Apache	67
Pulse	51	Arctic Cat	67
Regal Raptor	52	Blast (LEM)	67
Regent	52	Bombardier (→05)	67-68
Riders	52	Can-Am (BRP)	68
Rieju	52	Cectek	68
Rovigo	52	Clubcar	68
Royal Enfield (1980→)	52	CPI	68
RTX	52	Cub Cadet	68
Sachs	53	Dinli	68
Scorpa	53	E-Ton	69
Sherco	53	Gas Gas	69
Simson	54	Honda	69
Sinnis	54	Hymoto	69
Skyteam	54	Hyosung	69
SMC	54	Kawasaki	70
Superbyke	54	Kazuma	70
Suzuki	54-58	KTM	70
SWM	58	Kubota	70
SYM	58	Kymco	70
TGB	58-59	LEM	71
Tomos	59	Masai	71
Triumph - Pre 1989	59	Massey Ferguson	71
Triumph - 1991 ON	59-60	Moto Roma	71
Uralmoto	60	Polaris	71
Vertemati	60	Quadzilla	72
Victory (Polaris)	60	Quantum	72
VOR	61	Skyteam	72
WK	61	Suzuki	72
Wuyang	61	Sym	72
Xispa	61	TGB	73
Yamaha	61-66	Yamaha	73-74

### SPARK PLUG TECHNICAL INFORMATION

Conversion Chart	75-100
Cover Symbols Explanation Chart	102
NGK Resistor Plug Covers	102
Spark Plug Covers	103-105
Plug Cover Supersessions	106

Ducati	109
Honda	109
Husqvarna	109
Hyosung	109
KTM	109
Kymco	109
Moto Guzzi	110
Moto Morini	110
MV Agusta	110
Suzuki	110
Triumph	111
Connector Types	112

### LAMBDA SENSORS

NTK Lambda Sensors for Motorcycles	107
Technical Information	107
Aprilia	108
BMW	108

These lists of applications are given for general guidance only, and do not constitute any contractual term, representation or warranty and as such NGK Spark Plugs (UK) Ltd. do not accept any responsibility in respect of any claim whatsoever and howsoever caused arising from the publication of this catalogue.

NGK and NTK products are designed solely for use in automotive, motorcycle, marine, horticultural, agricultural, commercial, industrial, and stationary engines.

**NGK and NTK products should not be used in aircraft engines.**

Resistor spark plugs should always be used where they are recommended by the manufacturer. The use of non-resistor plugs could, in some cases, result in interference with and/or damage to electronic components.

**NGK and NTK products listed in the application guides do not apply to racing or modified engines, except where explicitly stated.**

# SPARK PLUG DESIGN

## SPARK PLUG DESIGN

Every year the range of NGK spark plugs grows to accommodate the ever increasing demands of modern engines. Spark plug design must take into consideration many features of an engine including physical dimensions, combustion chamber shape, cooling abilities, fuel and ignition systems. Spark plugs play a vital role in producing the maximum power from an engine whilst keeping fuel consumption and emissions to a minimum. Choosing the correct spark plug type will help a vehicle manufacturer meet legislated emission targets and assists the motorist in getting the best from their engine.

Increases in the size and the requirement to improve the cooling of the inlet and exhaust valves have meant that the space available for the spark plug is severely restricted on some cylinder heads. A change in spark plug design, possibly the adoption of a taper seat and extended reach (threaded portion) or even the use of a smaller diameter is often the answer. Some engines require the use of two spark plugs per cylinder and again due to space restrictions these might be of different sizes.

Changes in fuelling systems and the fuel itself have meant some special features being adopted at the 'firing end' of the spark plug. Extra projected types push the spark position into the heart of the combustion chamber to promote better combustion of the fuel/air mixture, which is weaker than ever in an effort to improve economy. Modern engine manufacturers often require increased spark gaps to allow a longer spark duration, which again aids more efficient combustion.

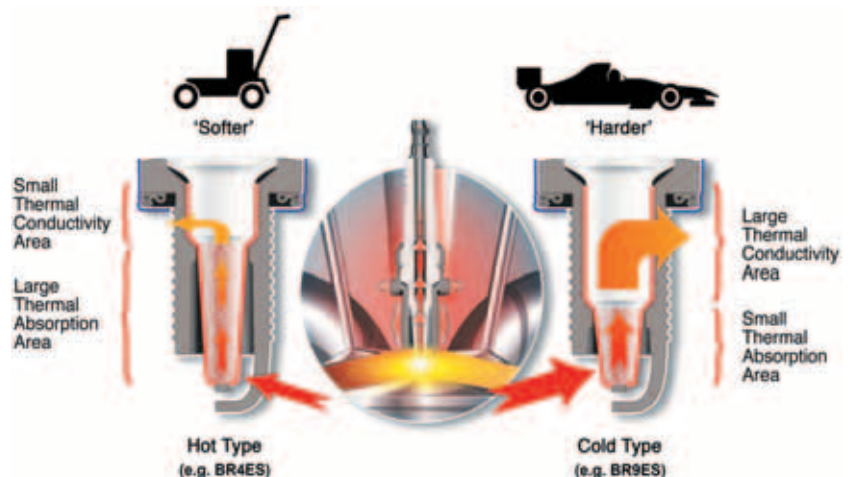
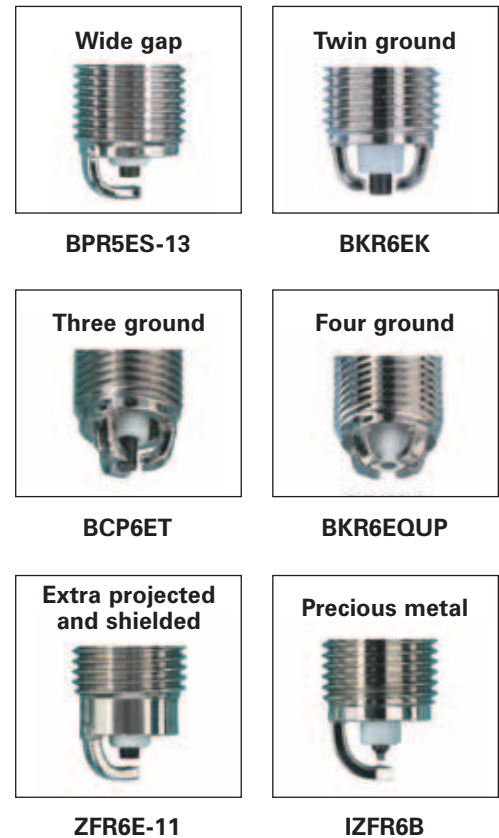
To combat the 'cold fouling' effect that can occur in some engines using unleaded fuels specially arranged ground electrode arrangements are sometimes used. These can force the spark to discharge across the insulator and thus burn away any built up carbon that could cause poor starting or misfires. It is not uncommon to find two, three or four ground electrode arrangements in new vehicles. The use of precious metals on the tips of the spark plug electrodes is not uncommon especially on higher performance engines. Whilst these spark plugs do have increased service life they are often specified because of their superior ignition qualities.

Our engineering departments work very closely with the engine and vehicle manufacturers to produce the ideal spark plug type for each application. Any change in production is expensive for a manufacturer and therefore new spark plug types are only produced where necessary. NGK employ the very latest production technology to ensure that every aspect is catered for – performance, economy and value.

## HEAT RANGE AND HEAT DISSIPATION

Spark plugs do not produce heat in the combustion chamber. One of the functions of the spark plug is to dissipate some of the heat produced during combustion. This is mostly transferred into the cylinder head. The 'Heat Range' indicates the measure of the spark plug's ability to do this. A 'hot' spark plug is designed to maintain a sufficiently high temperature at the insulator nose to burn off carbon and oil deposits. A 'cold' spark plug is designed to allow a faster transfer of heat to the cylinder head thus preventing overheating and premature failure.

The heat range selection is obviously a complex task with many factors to take into account. NGK engineers therefore make specific recommendations for each engine and the use to which it is put.



# NGK'S COPPER CORE TECHNOLOGY

## WIDE HEAT RANGE

A wide range spark plug is more flexible and performs equally well in a hot or cold engine under stop and go city driving or fast motorway cruising. Engines that tend to run hot need cold type plugs. Those that run cold demand a hotter type. The specific plug for any engine is determined by the plug's heat range. That is the minimum and maximum temperatures between which the plug will offer optimum performance.

The heat range of NGK Spark Plugs is wider than ordinary plugs therefore they are suitable for both high speed and low speed driving. Compared with conventional plugs of the same pre-ignition rating they have more resistance to fouling. Compared to ordinary plugs with equal anti-fouling resistance, NGK Spark Plugs have a higher pre-ignition rating.

## NGK'S HEART OF COPPER

Copper wire used in place of the iron core in conventional plugs is the secret of NGK's Wide Heat Range. Copper's superior heat conductivity dissipates heat quicker. It cools the electrode tip and insulator tip which prevents hot spots that could cause pre-ignition. Increased heat resistance does not affect fouling resistance, which is primarily determined by the insulator nose length. The longer the nose, the more susceptible it is to heat and the more free from fouling. By raising the pre-ignition rating with the high conduction copper and leaving the insulator nose long, NGK produces the Wide Range Plug. One that meets the broad thermal requirements of engines under high and low RPM conditions. With the exception of a couple of older applications, all the spark plugs in this catalogue employ copper core technology.



## FIRING END APPEARANCE

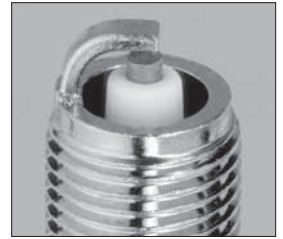
<p><b>Firing end temperature °C</b></p> <p><b>Overheating area</b></p> <p>870°</p>		<p>• <b>Overheating</b> The insulator is white and sometimes blistered. If the insulator temperature is over 870°C pre-ignition may occur. Engine power will be reduced and the piston may be damaged.</p>	<p>• <b>Causes</b></p> <ul style="list-style-type: none"> <li>• Over advanced ignition timing</li> <li>• Too lean a fuel mixture</li> <li>• Blocked injectors</li> <li>• Insufficient cooling</li> <li>• Excessive deposits in the combustion chamber</li> </ul>
<p><b>Optimum temperature area</b></p> <p>450°</p>		<p>• <b>Good condition</b> The insulator is brown or light grey.</p>	<p>Even if the spark plug is used under good conditions, deposits will accumulate. Regular inspection and replacement is advisable.</p>
<p><b>Fouling area</b></p> <p>Idle Temp { 250° 150°</p>		<p>• <b>Fouling</b> Carbon accumulates on the insulator nose forming a leakage path to earth. The engine misfires resulting in bad starting and poor acceleration. Particularly common with unleaded fuel.</p>	<p>• <b>Causes</b></p> <ul style="list-style-type: none"> <li>• Too rich a fuel mixture</li> <li>• Excessive use of choke</li> <li>• Prolonged slow speed driving or idling</li> <li>• Blocked air filter</li> <li>• Spark plug heat range too cold</li> </ul>

## THE BEST SPARK PLUG FOR EVERY OCCASION

As a result of our policy of continuous research and development NGK can offer special spark plugs designed to give optimum performance under a high range of conditions.

### 'S' TYPE (e.g. BP6ES)

NGK standard spark plugs with copper cored centre electrodes for wide heat range. Copper's superior heat conductivity dissipates the heat of combustion away from the firing end, preventing hot spots that can lead to pre-ignition. Copper cored electrodes also mean that longer insulator noses can be used to protect against fouling.



### 'G' TYPE (e.g. B10EG)

These plugs feature a smaller diameter centre electrode tip made of conventional nickel alloy. The smaller diameter centre electrode means the voltage required to produce a spark is reduced. However as the tip is made of conventional nickel alloy the service life is reduced and these plugs are best used in applications where plugs are frequently changed.



### 'V' TYPE (e.g. B10EV)

The centre electrode of this type is made of gold palladium alloy and is even smaller in diameter than the G type at 1.0mm and has therefore an even lower voltage requirement. These 'V' types have now been discontinued and replaced with 'VX' or 'IX' equivalents.



### 'GV' TYPE (e.g. B9EGV)

These plugs have a centre electrode of precious metal similar to the V range. In addition the insulator nose is an improved design to allow better gas flow around the firing end. The ground electrode is shorter and stronger, making the GV range more suited for racing applications.



### 'VX' TYPE (e.g. B8EVX)

These plugs have an even smaller centre electrode (0.8mm) than the V types and this is made of platinum. This combined with a taper cut ground electrode means an even lower required voltage than the V types. The result is better ignitability along with improved starting, idle stability and anti-fouling performance.



### 'IX' TYPE (e.g. BR8EIX)

Similar in design to the Platinum VX spark plug, the use of the precious metal Iridium allows us to manufacture a spark plug with an even smaller diameter centre electrode (0.6mm) without compromising durability. This extremely small Iridium tip centre electrode concentrates the available electrical energy and combined with the taper cut ground electrode provides the best performance in terms of starting, idling and especially throttle response.

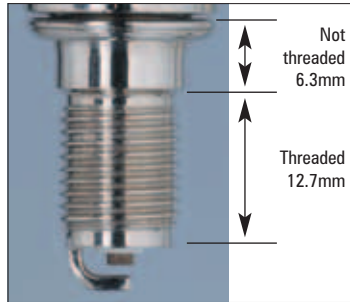


# FITTING THE CORRECT SPARK PLUG

NGK spark plugs are designed using the latest technology to give optimum performance over the engine's entire rev. range. Fitting the correct type of spark plug is essential. Many changes in engine technology has meant changes in spark plug design. Some NGK spark plugs may have a similar appearance, however the internal and or external design can differ sufficiently to cause engine damage should the incorrect part be installed. The examples below display some of the different design features employed in typical motorcycle applications and hopefully help to explain the reason for some application specific part numbers.

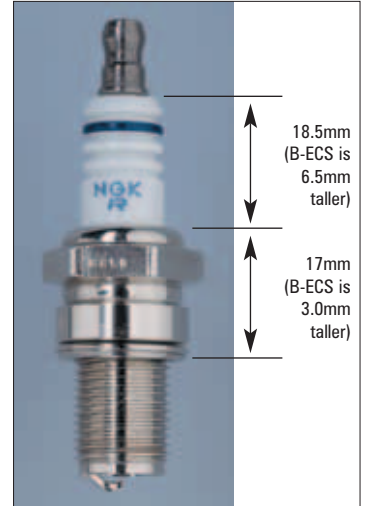
## CR8EH-9

- Used on some Honda designed engines
- Special thread can only be used in specific engines or the cylinder head will be damaged



## BR10ECM

- Compact style, mainly used by Honda and Suzuki
- For use where space is restricted



## CR6HSA

- Centre electrode is 0.2mm wider than CR6HS for improved durability
- Short metal shell design



## CR9EK, JR9C

- Used by Kawasaki and Suzuki
- 2 ground electrodes for improved durability



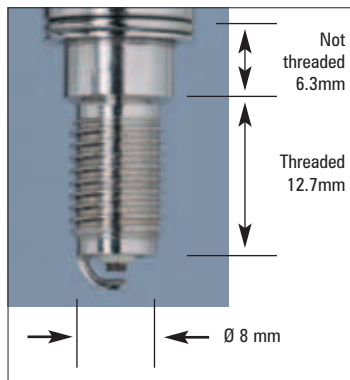
CR9EK thread diameter  $\varnothing$  10mm



JR9C thread diameter  $\varnothing$  12mm

## ER9EH

- Used by Honda,  $\varnothing$  8mm thread with 13mm hex
- Do not exceed the tightening torque of 0.8 - 1.0kg/m



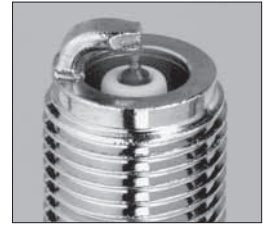
## B9ECS

- Short ground electrode for strength and to prevent overheating
- For competition use



# THE IRIIDIUM IX SPARK PLUG

The Iridium IX spark plug is similar in design to the Platinum VX type but benefits from the use of the precious metal Iridium on its centre electrode. Iridium is harder than other precious metals used in spark plug manufacture, has an extremely high melting point and offers greater protection from chemical attack. These features allow the use of an extremely small diameter electrode (0.6mm) without compromising the spark plug's service life. Combined with the use of the taper cut ground electrode this spark plug has superior gas flow properties and lower voltage requirements, which offers further improvements in starting, idling and throttle response.



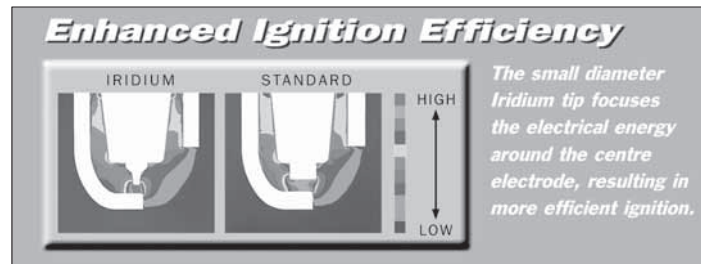
BR8EIX

Iridium spark plugs are used by some of the worlds leading race teams and as original equipment in many high performance road and off road machines. Owners who want the very best performance from their bikes will want the best spark plug and this we can offer with Iridium IX.

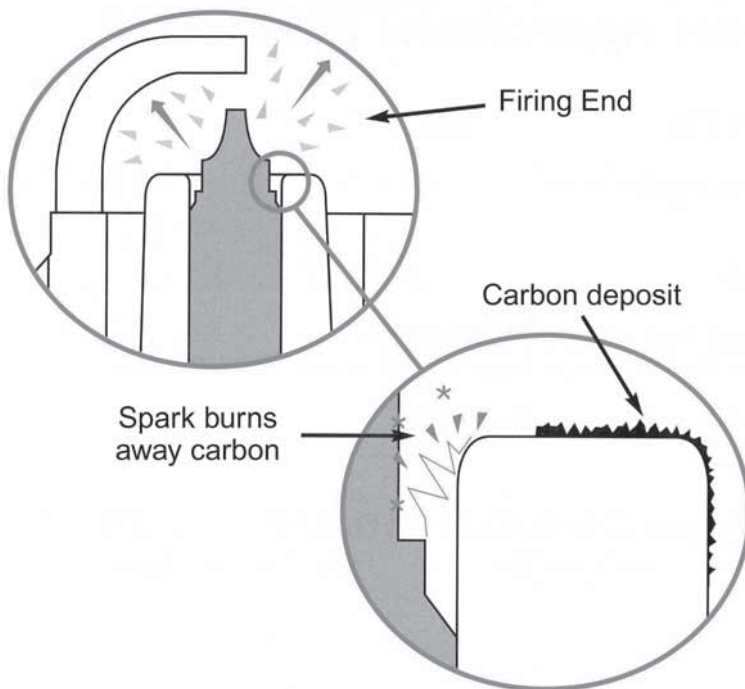


### Iridium IX

A small diameter electrode that gives good gas flow and less restriction of flame kernel



Iridium IX packaging



The close up section shows the annular gap between the centre electrode and insulator nose which provides cold fouling protection.

Should current try to leak away across a carbonised insulator a spark can occur between the electrode and the insulator thus burning away the carbon deposit.



# THE IRIIDIUM IX SPARK PLUG

The tables below show the Iridium IX upgrade from standard copper core and Platinum VX type. For specific model application refer to the Iridium column in the main data pages.

STANDARD COPPER CORE		PLATINUM VX		IRIDIUM IX	
PART NO.	PART NO.	PART NO.	PART NO.	PART NO.	STOCK NO.
BK6E	BKR6E			BKR6EIX	6418
	BKR6E-11			BKR6EIX-11	3764
	BKR7E			BKR7EIX	2667
BP5ES	BPR5ES			BPR5EIX	6597
BP6ES	BPR6ES			BPR6EIX	6637
	BPR6ES-11			BPR6EIX-11	3903
BP6HS	BPR6HS			BPR6HIX	4085
BP6HS-10	BPR6HS-10				
	BR6HSA				
BP7ES	BPR7ES			BPR7EIX	4055
BP7HS	BPR7HS			BPR7HIX	5944
BP7HS-10	BPR7HS-10				
BP8HS	BPR8HS			BPR8HIX	6742
BP8HS-10	BR8HSA				
B6HS	BR6HS			BR6HIX	3419
B6HS-10	BR6HS-10				
B7ES	BR7ES			BR7EIX	6664
B7HS	BR7HS			BR7HIX	7067
B7HS-10	BR7HS-10				
B8ES	BR8ES			BR8EIX	5044
B8HS	BR8HS			BR8HIX	7001
B8HS-10	BR8HS-10				
B9ES	BR9ES			BR9EIX	3981
	BR10ES			BR10EIX	6801
C6HSA	CR6HSA			CR6HIX	7274
	CR6HS				
	CR7E			CR7EIX	7385

STANDARD COPPER CORE		PLATINUM VX		IRIDIUM IX	
PART NO.	PART NO.	PART NO.	PART NO.	PART NO.	STOCK NO.
C7HSA	CR7HSA			CR7HIX	7544
	CR7HS				
	CR8EH-9			CR8EHIX-9	3797
C8E	CR8E			CR8EIX	4218
	CR8EK				
C8HSA	CR8HSA		CR8HVX	CR8HIX	7669
	CR8HS				
	CR9EH-9			CR9EHIX-9	6216
C9E	CR9E			CR9EIX	3521
	CR10E			CR10EIX	6482
	CR10EK				
	DCPR7E			DCPR7EIX	6046
	DCPR8E			DCPR8EIX	6546
	DCPR8EKC				
	DCPR9E		DCPR9EVX	DCPR9EIX	2316
	DCPR7E			DCR7EIX	3605
	DCPR8E			DCR8EIX	3606
	DCPR9E			DCR9EIX	6650
	DPR7EA-9			DPR7EIX-9	7803
DP8EA-9	DPR8EA-9			DPR8EIX-9	2202
	DPR9EA-9			DPR9EIX-9	5545
D8EA	DR8EA		DR8EVX	DR8EIX	6681
	DR8ES-L				
D9EA	DR9EA		DR9EVX	DR9EIX	4772
	DR8ES*				
	JR9B				

\*The upgrade from DR8ES to DR9EIX is correct  
For plugs with threaded terminal

As the IX range now takes over the premium motorcycle spark plug position from the popular Platinum VX range we will be superseding some current versions of Platinum VX types as volume production allows. This will be treated as a running change and therefore orders placed for certain resistor VX types will be fulfilled by supplying the Iridium IX equivalent. Most contemporary machines demand the use of resistor types and most older machines can and do use them quite happily.

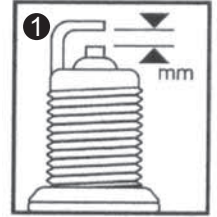
Below is a chart to show the VX plugs currently affected.

Platinum VX		replaced by	Iridium IX	
Platinum VX	Stock No.		Iridium IX	Stock No.
B7EVX	6934	→	BR7EIX	6664
B7HVX	7836	→	BR7HIX	7067
B8EVX	7051	→	BR8EIX	5044
B8HVX	2634	→	BR8HIX	7001
B9EVX	7254	→	BR9EIX	3981
B10EVX	7335	→	BR10EIX	6801
B10HVX	2940	→	BR10HIX	6692
BKR6EVX	3539	→	BKR6EIX	6418
BKR7EVX	3544	→	BKR7EIX	2667
BP5EVX	5470	→	BPR5EIX	6597
BP7EVX	7270	→	BPR7EIX	4055
BPR5EVX	4875	→	BPR5EIX	6597
BPR6EVX	6764	→	BPR6EIX	6637

Platinum VX		replaced by	Iridium IX	
Platinum VX	Stock No.		Iridium IX	Stock No.
BPR9EVX	5576	→	BPR9EIX	6853
BR8EVX	1262	→	BR8EIX	5044
BR9EVX	1265	→	BR9EIX	3981
CR8EHVX-9	4546	→	CR8EHIX-9	3797
CR8EVX	6487	→	CR8EIX	4218
CR9EHVX-9	3872	→	CR9EHIX-9	6216
CR9EVX	5943	→	CR9EIX	3521
D8EVX	2850	→	DR8EIX	6681
D9EVX	2834	→	DR9EIX	4772
DCPR7EVX	1179	→	DCPR7EIX	6046
DPR7EVX-9	7682	→	DPR7EIX-9	7803
DPR8EVX-9	2872	→	DPR8EIX-9	2202
DPR9EVX-9	3854	→	DPR9EIX-9	5545

## SPARK PLUG INSTALLATION TIPS

- Refer to current NGK catalogue for correct spark plug selection
- Check condition and cleanliness of threads in cylinder head
- Ensure plug is gapped according to vehicle manufacturers specification (*fig 1*)
- Multi ground electrode and precious metal plugs should not be regapped - visual inspection only
- Install new spark plug *by hand* until it seats - (*fig 2*) a length of rubber tubing pushed over the insulator can be a useful aid for plug installation where access is difficult
- Tighten to specified torque setting as shown in the chart below (*fig 3*)
- If a torque wrench is unavailable then refer to vehicle/engine manufacturers installation instructions or the tightening angle advice which is displayed on current NGK packaging (excluding specialist race plugs). Note that this angle advice can differ between part numbers due to individual spark plug design (e.g. seating type, thread diameter and gasket material)
- It is important not to over or under tighten spark plugs during installation. Over-tightening can lead to distortion of the spark plug. Under-tightening can cause overheating due to poor heat dissipation. *In extreme cases incorrect tightening can cause spark plug breakage and/or engine damage*
- NGK does not recommend the application of lubricant to spark plug threads as the resultant reduction of frictional forces at the thread faces will render the torque charts inaccurate and over tightening could occur
- If a gasket type spark plug is re-installed, it should only require a further 1/12 of a turn after it has been seated
- Always carefully use the correct tools for removal/installation to prevent damage to the spark plug or engine
- Inspect spark plug cover and renew if necessary



<b>③</b>	<b>FOR FLAT SEAT TYPE (WITH GASKET)</b>					<b>TAPER SEAT TYPE</b>		
	Thread Ø	18mm	14mm	12mm	10mm	8mm	18mm	14mm
<b>Cast iron head</b>	35-45Nm (3.5-4.5kgm) (25.3-32.5lbs ft)	25-35Nm (2.5-3.5kgm) (18.0-25.3lbs ft)	15-25Nm (1.5-2.5kgm) (10.8-18.0lbs ft)	10-15Nm (1.0-1.5kgm) (7.2-10.8lbs ft)	-	-	20-30Nm (2.0-3.0kgm) (14.5-21.6lbs ft)	15-25Nm (1.5-2.5kgm) (10.8-18.0lbs ft)
<b>Aluminium head</b>	35-40Nm (3.5-4.0kgm) (25.3-28.9lbs ft)	25-30Nm (2.5-3.0kgm) (18.0-21.6lbs ft)	15-20Nm (1.5-2.0kgm) (10.8-14.5lbs ft)	10-12Nm (1.0-1.2kgm) (7.2-8.7lbs ft)	8-10Nm (0.8-1.0kgm) (5.8-7.2lbs ft)	-	20-30Nm (2.0-3.0kgm) (14.5-21.6lbs ft)	10-20Nm (1.0-2.0kgm) (7.2-14.5lbs ft)

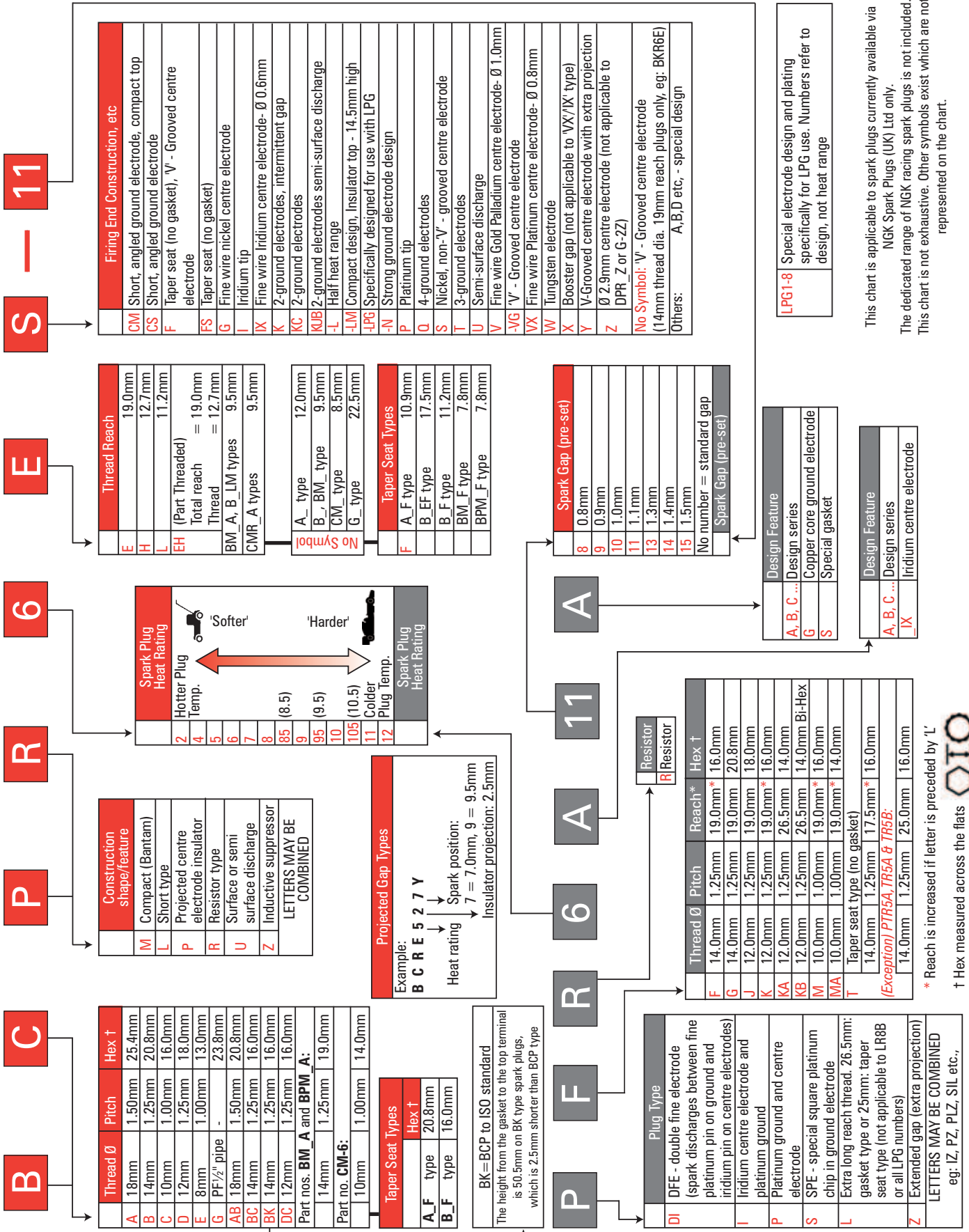
**Important:** Some spark plugs differ in gasket design or material, refer to tightening advice on specific spark plug packaging

## SPARK PLUG GAP SETTINGS

**Important:** Spark plug gap settings are given in millimetres. Practical equivalents are shown below.

mm	0.4	0.5	0.6	0.7	0.8	0.9	1.0	1.1	1.3	1.4	1.5	1.6	1.8	2.0
ins	.016	.020	.024	.028	.032	.035	.039	.043	.051	.055	.059	.063	.071	.079

# DESIGN SYMBOLS



## NEW ADDITIONS AND PART NUMBERS

These are new additions to this catalogue that have new part numbers not previously stocked by NGK Spark Plugs (UK) Ltd.

Part Number	Stock Number	Application	Part Number	Stock Number	Application
CR9EIB-9	92579	MV AGUSTA Brutale 800, Dragster, F3, Rivale, Turismo Veloce 800	LMAR8F-9	90894	MOTO GUZZI California (Twin Spark)
			LMAR8G	95627	YAMAHA YZ250F 14→
KR8BI	4347	CAN-AM (BRP) Spyder RS, RT, ST Ø12mm Plug	MR7BI-8	90982	CAN-AM (BRP) Spyder RT Ø10mm Plug

These Spark Plugs will be available during 2015

**Page 105 contains some new Spark Plug Covers not previously published in the UK**

Listed below is a selection of new applications for existing spark plugs

MAKE	MODEL	PART NO.	STOCK NO.	
<b>APRILIA</b>	RS4 50	BR8ES	5422	
<b>ARCTIC CAT (Quad)</b>	Wildcat Trail	CR8EB	7784	
<b>BEELINE</b>	Veloce GT 50, Veloce Racing	C7HSA	4629	
<b>BENELLI</b>	BN 302	CR9EB	6955	
	BN 600 GT, BN 600 I, BN 600 R	CR9E	6263	
<b>BMW</b>	S1000R	LMAR9D-J	1633	
	R1200GS Adventure (Liquid Cooled)	LMAR8D-J	93444	
	R1200RT Ø10mm Plug	MAR8B-JDS	8765	
	R1200RT (Liquid Cooled)	LMAR8D-J	93444	
	R nine T	MAR8B-JDS	8765	
<b>CAN-AM (BRP)</b>	Spyder RS	DCPR9E	2641	
	Spyder RT Ø12mm Plug	DCPR9E	2641	
<b>CPI</b>	Supercross 50 SX	BR7ES	5122	
	Oliver City 125	CR7HSA	4549	
<b>DAELIM</b>	Roadsport	CR9EH-9	7502	
<b>DERBI</b>	Sonar 50 2T	BR8ES	5422	
	Rambla 125	CR8EB	7784	
	Sonar 125 (4-Stroke)	CR7EB	4663	
	Terra 125	CR8EB	7784	
	Rambla 250	CR9EB	6955	
<b>DINLI (Quads)</b>	Diablo 110	BPR7HS	6422	
	270 Sport	DPR7EA-9	5129	
	450 Sport	DCPR8E	4339	
<b>DUCATI</b>	899 Panigale	MAR9A-J	6869	
	Monster 821, Monster 821 Dark	MAR9A-J	6869	
	Monster 1200, S	MAR9A-J	6869	
<b>EBR</b>	1190RX, 1190SX	CR9EKB	2305	
<b>E-TON (Quads)</b>	EXL ST150	C7HSA	4629	
	VXL-300ST Vector	CR8E	1275	
<b>FANTIC</b>	Caballero 50	BR9ES	5722	
<b>GAS GAS</b>	Halley 125	BR9ES	5722	
	EC 300 F (4-Stroke)	CR9E	6263	
	EC 450 F (4-Stroke)	CR8E	1275	
	Halley 450 R, SM Halley 450	CR8E	1275	
<b>HONDA</b>	CB1100EX	LMAR8A-9S	6817	
	CB650FA, CBR650FA	CR9EH-9	7502	
	CBR1000RR Fireblade, SP	IMR9E-9HES	7556	
	CTX1300	CR8EH-9	5666	
	GL1800 F6B, F6C	BKR6E-11	2756	
	NC750 Integra, NC750S/X	IFR6G-11K	1314	
	NM4 Vultus	IFR6G-11K	1314	
	SH Mode 125	CPR7EA-9	3901	
	VFR1200X Crosstourer	IMR8E-9HES	95397	
	<b>HUSABERG</b>	TE125	BR9ECMIX	2707
		FE250	LMAR9AI-10	93188
		FE350	LMAR9AI-8	97225
FE501		LKAR8AI-9	6706	
<b>HUSQVARNA</b>	TE125 Ø14mm Plug	BR9ECMIX	2707	
	FE250	LMAR9AI-10	93188	
	TE250, TE300 (2-Stroke)	BR7ES	5122	
	TE250, TE310 (4-Stroke)	CR9EIA-9	6289	
	FE350	LMAR9AI-8	97225	
	FE450, FE501	LKAR8AI-9	6706	
<b>JONWAY</b>	Adventure	C7HSA	4629	
<b>KAWASAKI</b>	KX85 II	R6252K-105	2741	
	SC300 (J300)	CR7E	4578	

MAKE	MODEL	PART NO.	STOCK NO.
<b>KEEWAY</b>	Matrix Sport 50	BPR7HS	6422
	Cruiser	D7EA	7912
<b>KTM</b>	250 EXC-F Incl. Fi (4-Stroke)	LMAR9AI-10	93188
	Freeride 250	BR7ES	5122
	450 RALLY Replica	CR9EKB	2305
	1290 Super Duke R (Ø10mm Plug)	LMAR7A-9	4908
	1290 Super Duke R (Ø12mm Plug)	LKAR9BI9	6205
<b>KYMCO</b>	Like 50 (2-Stroke)	BR8HSA	5539
	Xciting 250 (Carb)	DPR7EA-9	5129
	Xciting 250i, 250Ri	DPR6EA-9	5531
	Xciting 400i	CR7E	4578
<b>LIFAN</b>	Blaze, Samurai, Sprint	D8EA	2120
<b>LML</b>	Star Deluxe 4-Stroke 11→	CR8EH-9	5666
<b>MALAGUTI</b>	Drakon 50	BR9ES	5722
	F-15 GSE Replica	BR8HS	4322
	X3M Motard 125	CR7HSA	4549
	XSM 50, XTM 50	BR9ES	5722
<b>MOTORHISPANIA</b>	Duna SM125, Duna SX125	CR6HSA	2983
	MH7	CR6HSA	2983
<b>MV AGUSTA</b>	Brutale 920	CR9EB	6955
	Brutale 989 R, Brutale 990 R	CR9EB	6955
	Brutale 1090 R, RR	CR9EB	6955
	F4 1000 R (Incl. Senna)	CR9EB	6955
	F4 AGO, F4 R 312	CR9EB	6955
	F4, F4 R, F4 RR	CR9EB	6955
<b>PEUGEOT</b>	Satelis LFE 125i	CR8EB	7784
<b>PIAGGIO / VESPA</b>	Vespa 200 Rally	B7ES	1111
<b>PULSE</b>	Advert, Ghost	BPR7HS	6422
	Lightspeed 2 50, 125	CR7HS	7223
	Phantom ZN125T-32A	CR7HS	7223
	Adrenaline 250 XF250GY	DR8EA	7162
	<b>QUADZILLA (Quads)</b>	PGO 50E Bugrider	BPR7HS
PGO 150E Bugrider		CR7HSA	4549
<b>SACHS</b>	XTC 125 (Ø10mm Plug)	CR8E	1275
<b>SHERCO</b>	290 X-Ride	BPR5ES	7422
<b>SUZUKI</b>	GSX-R1000ZSE	CR9EIA-9	6289
<b>TRIUMPH</b>	America LT	DPR8EA-9	4929
	Bonneville T100 50th SE	DPR8EA-9	4929
	Thunderbird Commander	DPR6EA-9	5531
	Thunderbird LT	DPR6EA-9	5531
<b>WK</b>	Bellissima, Go 50, Mii 50	CR7HSA	4549
	WASP R50, Bellissima	CR7HSA	4549
<b>YAMAHA</b>	G29A (Quad)	BPR2ES	2264
	MT-125	CR9E	6263
	MT-07	LMAR8A-9	4313
	MT-09	CPR9EA-9	2308
	MW125 Tricity	CR7E	4578
	XC115S D'elight	CR6HSA	2983
	XVS1300CU Custom	LMAR7A-9	4908
	YN50 Neo's Easy (2-Stroke)	BR8HS	4322
	YP125RA X-MAX 125	CPR9EA-9	2308
	YP250RA X-MAX 250	DPR8EA-9	4929
	YP400R X-MAX	CR7E	4578
	YTF2 (Quad)	BPR2ES	2264
	YTZ250 (Quad)	B8ES	2411
	YXM700PE Viking (Quad)	CPR7EA-9	3901

The above tables are intended as a stock purchase guide.

Refer to the relevant model listing in the main application section for product selection.

## 2 Wheel



CC	MODEL	DATE	STANDARD COPPER CORE	STOCK NUMBER	PLATINUM OR GOLD PALLADIUM	STOCK NUMBER	IRIDIUM	STOCK NUMBER	GAP MM
<b>ADLY</b>									
50	Citybird, Crosser, Fox, Jet X1, Pista, Predator	97→	BPR7HS	6422			BPR7HIX	5944	0.6
100	Cat, Predator, Jet, X1	97→	BPR7HS	6422			BPR7HIX	5944	0.6
125	Activator 125	99→	CR7HSA	4549			CR7HIX	7544	0.5
	AJP 125 PR4	03→	DPR7EA-9	5129			DPR7EIX-9	7803	0.9
	Cat 125	97→	CR7HSA	4549			CR7HIX	7544	0.5

<b>AJS</b>									
50	Chipmunk 50	03→	BP4HS	3611					0.6
	DD50 Regal Raptor	03→	CR7HS	7223			CR7HIX	7544	0.7
	JSM 50 Motard	11→	BR8ES	5422			BR8EIX	5044	0.6
80	Coyote 80	03→	BP6HS	4511			BPR6HIX	4085	0.6
100	Cougar 100 (Jincheng)	03→	BP7HS	5111			BPR7HIX	5944	0.6
	DD100 Regal Raptor	03→	CR7HS	7223			CR7HIX	7544	0.7
125	CR3-125 Super Sports	08→	DR8EA	7162	DR8EVX	6354	DR8EIX	6681	0.6
	JS125Y Tiger	03→	DR8ES	5423	DR9EVX	6361	DR9EIX	4772	0.7
	JSM125 Motard / Trail	10→	CR6HSA	2983			CR6HIX	7274	0.6

<b>APRILIA</b>									
50	AF1 50	88→92	B8ES	2411			BR8EIX	5044	0.5
	Amico 50	92→94	BR7HS	4122			BR7HIX	7067	0.6
	Area 51 (Liquid Cooled 2-Stroke)	98→	BR8HS	4322			BR8HIX	7001	0.5
	Extrema 50	93→	B8ES	2411			BR8EIX	5044	0.5
	Gulliver	97→99	BR7HS	4122			BR7HIX	7067	0.6
	Habana 50, Custom & Retro	99→05	BPR8HS	3725			BPR8HIX	6742	0.6
	Mojito Custom 50	05→	BR9ES	5722			BR9EIX	3981	0.7
	MX50	03→	BR9ES	5722			BR9EIX	3981	0.7
	Rally 50 (Air Cooled)	95→99	BR7HS	4122			BR7HIX	7067	0.7
	Rally 50 (Liquid Cooled)	97→03	BR8HS	4322			BR8HIX	7001	0.5
	Red Rose 50	93→	B8ES	2411			BR8EIX	5044	0.5
	RS 50 (Minarelli engine)	93→	B8ES	2411			BR8EIX	5044	0.6
	RS 50	01→05	BR9ES	5722			BR9EIX	3981	0.7
	RS 50	06→	BR9ES	5722			BR9EIX	3981	0.5
	RS4 50	11→13	BR8ES	5422			BR8EIX	5044	0.6
	RX 50 (Minarelli engine)	97→	B9ES	2611	B9EVX	7254	BR9EIX	3981	0.6
	Scarabeo 50 Carb	93→	BR7HS	4122			BR7HIX	7067	0.6
	Scarabeo 50 Di Tech (Injection)	01→	CPR8E	7411			CR8EIX	4218	0.8
	Scarabeo 50 4T (4-Stroke)	06→	CR9EB	6955			CR9EIX	3521	0.6
	Sonic FT 50 (Air Cooled 2-Stroke)	98→01	BR8HS	4322			BR8HIX	7001	0.5
	Sonic GP 50 (Liquid Cooled 2-Stroke)	98→05	BR8HS	4322			BR8HIX	7001	0.5
	Sportcity One (4-Stroke)	08→	CR8EB	7784			CR8EIX	4218	0.7
	Sportcity One Street (2-Stroke)	08→	BR9ES	5722			BR9EIX	3981	0.6
	SR 50 (Air Cooled)	94→	BR7HS	4122			BR7HIX	7067	0.7
	SR 50 Stealth / LC / Racing (Liquid Cooled)	96→	BR7HS	4122			BR7HIX	7067	0.7
	SR 50 Carb (19mm Thread Reach)	04→	BR9ES	5722			BR9EIX	3981	0.6
	SR 50 Di Tech Injection	01→04	CPR8E	7411			CR8EIX	4218	0.8
	SR 50 Di Tech Injection	05→			ZMR7AP	6914			0.8
	SR 50 i.e. Pure Jet	04→			ZMR7AP	6914			0.8
	SR 50 WWW	01→02	BR7HS	4122			BR7HIX	7067	0.6
SR 50R	05→	BR9ES	5722			BR9EIX	3981	0.6	
SR Motard 50 (2-Stroke)	12→	BR9ES	5722			BR9EIX	3981	0.5	
SX 50	06→	BR9ES	5722			BR9EIX	3981	0.6	
100	Scarabeo 100	00→	BR8HS	4322			BR8HIX	7001	0.6
125	AF1 125	88→	BR10EG	3830			BR10EIX	6801	0.5
	AF1 Futura	90→93	BR10EG	3830			BR10EIX	6801	0.5
	Atlantic 125	03→	CR8EB	7784			CR8EIX	4218	0.8
	Classic 125	99→	BR10EG	3830			BR10EIX	6801	0.6
	ETX 125 (Liquid Cooled 2-Stroke)	98→01	BR8ES	5422			BR8EIX	5044	0.5
	Europa 125	90→	BR10EG	3830			BR10EIX	6801	0.5
	Habana 125 Custom & Retro (4-Stroke)	99→	CR8E	1275			CR8EIX	4218	0.6
	Leonardo 125	95→	CR8E	1275			CR8EIX	4218	0.6
	Leonardo 125 ST	04→					CR8EIX	4218	0.6
	Mojito Custom 125	05→	CR7EB	4663			CR7EIX	7385	0.6



CC	MODEL	DATE	STANDARD COPPER CORE	STOCK NUMBER	PLATINUM OR GOLD PALLADIUM	STOCK NUMBER	IRIDIUM	STOCK NUMBER	GAP MM
<b>APRILIA (CONTINUED)</b>									
125	MX125	04→	BR8ES	5422			BR8EIX	5044	0.6
	Pegaso 125	92→96	BR10EG	3830			BR10EIX	6801	0.5
	Rally 125	89→90	B10EG	3630	B10EGV	5927	BR10EIX	6801	0.5
	Red Rose 125	88→94	BR10EG	3830			BR10EIX	6801	0.5
	RS 125 (12BHP Restricted)	93→	BR8ES	5422			BR8EIX	5044	0.5
	RS 125 (35BHP Unrestricted)	93→	BR10EG	3830			BR10EIX	6801	0.5
	RS 125R Extrema (12BHP Restricted)	93→	BR8ES	5422			BR8EIX	5044	0.5
	RS 125R Extrema (35BHP Unrestricted)	93→	BR10EG	3830			BR10EIX	6801	0.5
	RS125 Tuono	03→	BR8ES	5422			BR8EIX	5044	0.6
	RS4 125	11→	CR9EB	6955			CR9EIX	3521	0.5
	RX125	94→96	BR10EG	3830			BR10EIX	6801	0.5
	RX125 (15BHP Restricted)	08→	BR8ES	5422			BR8EIX	5044	0.7
	RX125 (22BHP Unrestricted)	08→	BR10EG	3830			BR10EIX	6801	0.7
	Scarabeo 125cc (4-Stroke)	99→	CR8E	1275			CR8EIX	4218	0.6
	Sport City 125	04→08	CR8E	1275			CR8EIX	4218	0.6
	Sportcity Cube 125	08→	CR7EB	4663			CR7EIX	7385	0.7
	Sportcity One 125	08→	CR7EB	4663			CR7EIX	7385	0.7
	Sport Pro 125	92→93	BR10EG	3830			BR10EIX	6801	0.5
	SR 125	04/99→	BR8ES	5422			BR8EIX	5044	0.5
	SR 125AC	00→	BR8ES	5422			BR8EIX	5044	0.5
	SR MAX 125	11→	CR8EKB	4374			CR8EIX	4218	0.7
SR Motard 125	12→	CR7EB	4663			CR7EIX	7385	0.7	
SX125 (15BHP Restricted)	08→	BR8ES	5422			BR8EIX	5044	0.7	
SX125 (22BHP Unrestricted)	08→	BR10EG	3830			BR10EIX	6801	0.7	
Tuareg Wind 125	89→91	B10EG	3630	B10EGV	5927	BR10EIX	6801	0.5	
150	Leonardo 150	98→01	CR8E	1275			CR8EIX	4218	0.6
	Leonardo 150 ST	02→					CR8EIX	4218	0.6
	Scarabeo 150 (4-Stroke)	99→	CR8E	1275			CR8EIX	4218	0.6
200	Atlantic 200	03→	CR8EB	7784			CR8EIX	4218	0.8
	Scarabeo 200 (4-Stroke)	00→	CR8E	1275			CR8EIX	4218	0.6
	Sportcity 200	04→08	CR7EB	4663			CR7EIX	7385	0.6
	Sportcity Cube 200	08→	CR7EB	4663			CR7EIX	7385	0.7
250	Atlantic 250	04→	CR8EB	7784			CR8EIX	4218	0.7
	Leonardo 250	99→03	DR8EA	7162	DR8EVX	6354	DR8EIX	6681	0.6
	RS 250	94→	BR9ECM	3252	BR9ECMVX	2434	BR9ECMIX	2707	0.7
	Scarabeo 250	04→06	CR8EB	7784			CR8EIX	4218	0.7
	Scarabeo 250	07→09			PMR8B	6378			0.7
	Sport City 250	04→	CR8EB	7784			CR8EIX	4218	0.7
280	Climber trials bike	89→			BP6EVX	5832	BPR6EIX	6637	0.6
300	Leonardo 300	04→	DR8EA	7162	DR8EVX	6354	DR8EIX	6681	0.6
	Sportcity Cube	08→	CR8EKB	4374			CR8EIX	4218	0.7
	SR MAX 300	11→	CR8EKB	4374			CR8EIX	4218	0.7
400	Atlantic 400 Sprint	06→	CR7EKB	4455			CR7EIX	7385	0.8
450	MXV 450	09→	CR8EKB	4374			CR8EIX	4218	0.7
	RXV 4.5	06→08	CR8EB	7784			CR8EIX	4218	0.7
	RXV 4.5	09→	CR8EKB	4374			CR8EIX	4218	0.7
	SXV 4.5	06→08	CR8EB	7784			CR8EIX	4218	0.7
	SXV 4.5	09→	CR8EKB	4374			CR8EIX	4218	0.7
500	Atlantic 500	01→	CR7EKB	4455			CR7EIX	7385	0.8
	Atlantic 500 Sprint	05→	CR7EKB	4455			CR7EIX	7385	0.8
	Scarabeo 500	03→	CR7EKB	4455			CR7EIX	7385	0.8
550	RXV 5.5	06→08	CR8EB	7784			CR8EIX	4218	0.7
	RXV 5.5	09→	CR8EKB	4374			CR8EIX	4218	0.7
	SXV 5.5	06→08	CR8EB	7784			CR8EIX	4218	0.7
	SXV 5.5	09→	CR8EKB	4374			CR8EIX	4218	0.7
600	Pegaso 600	92→	D8EA	2120	DR8EVX	6354	DR8EIX	6681	0.6
	Tuareg 600	88→	D8EA	2120	DR8EVX	6354	DR8EIX	6681	0.6
650	Moto 6.5 (650)	95→	D8EA	2120	DR8EVX	6354	DR8EIX	6681	0.7
	Pegaso 650 (Carburettor)	93→00	D8EA	2120	DR8EVX	6354	DR8EIX	6681	0.6
	Pegaso 650 (Injection) Ø12mm Plug	01→04	DR8EB	4855	DR8EVX	6354	DR8EIX	6681	0.7
	Pegaso Strada & Trail 650 Ø10mm Plug	05→	CR7E	4578			CR7EIX	7385	0.7
	Pegaso Factory	02/07→	CR7E	4578			CR7EIX	7385	0.7
750	Shiver GT (Half faired) (Incl. ABS)	09→	CR7EKB	4455			CR7EIX	7385	0.8
	SL 750 Shiver (Incl. ABS)	07→	CR7EKB	4455			CR7EIX	7385	0.8



CC	MODEL	DATE	STANDARD COPPER CORE	STOCK NUMBER	PLATINUM OR GOLD PALLADIUM	STOCK NUMBER	IRIDIUM	STOCK NUMBER	GAP MM
<b>APRILIA (CONTINUED)</b>									
750	SMV 750 Dorsoduro / Factory	07→	CR7EKB	4455			CR7EIX	7385	0.8
839	Mana GT ABS (Twin Spark)	09→	CR7EKB	4455			CR7EIX	7385	0.8
	NA 850 Mana (Incl. ABS) (Twin Spark)	08→	CR7EKB	4455			CR7EIX	7385	0.8
	SRV850 (Twin Spark)	12→	CR7EKB	4455			CR7EIX	7385	0.8
1000	ETV 1000 Caponord	01→	DCPR9E	2641	DCPR9EVX	6436	DCPR9EIX	2316	0.6
	RST 1000 Futura	01→	DCPR9E	2641	DCPR9EVX	6436	DCPR9EIX	2316	0.6
	RSV 1000 R Factory	04→	DCPR9E	2641	DCPR9EVX	6436	DCPR9EIX	2316	0.6
	RSV 4 Factory	09→	CR9EB	6955			CR9EIX	3521	0.7
	RSV 4 R	09→	CR9EB	6955			CR9EIX	3521	0.7
	RSV Mille	98→	DCPR9E	2641	DCPR9EVX	6436	DCPR9EIX	2316	0.6
	RSV Mille R	98→03	DCPR9E	2641	DCPR9EVX	6436	DCPR9EIX	2316	0.6
	RSV Mille R	04→	DCPR9E	2641	DCPR9EVX	6436	DCPR9EIX	2316	0.6
	RSV Mille SP (Sport Production)	00→03	R0045J-10	7400					1.1
	RSV Mille Tuono	02→	DCPR9E	2641	DCPR9EVX	6436	DCPR9EIX	2316	0.6
	SL 1000 Falco	99→	DCPR9E	2641	DCPR9EVX	6436	DCPR9EIX	2316	0.6
	Tuono 1000	04→	DCPR9E	2641	DCPR9EVX	6436	DCPR9EIX	2316	0.6
	Tuono 1000 R	05→	DCPR9E	2641	DCPR9EVX	6436	DCPR9EIX	2316	0.6
Tuono V4R	05/11→	CR9EKB	2305			CR9EIX	3521	0.8	
1197	1200 Dorsoduro	11→	CR8EKB	4374			CR8EIX	4218	0.7
	Caponord (Twin Spark)	13→	CR8EKB	4374			CR8EIX	4218	0.7

<b>ATALA</b>									
50	Byte	97→98	B7HS	5110			BR7HIX	7067	0.5
	Carosello	97→	B7HS	5110			BR7HIX	7067	0.5
	Hacker AT 12, Hacker Racing	97→98	BPR6HS	7022			BPR6HIX	4085	0.6
	Master	98→99	B6HS	4510			BR6HIX	3419	0.6
	Skeggia	99→00	BPR6HS	7022			BPR6HIX	4085	0.6

<b>BAJAJ</b>									
50	Sunny, Bonnie 50	93→	B6HS	4510			BR6HIX	3419	0.5
100	KB100	93→	B8ES	2411			BR8EIX	5044	0.5
125	Vespa, Chetak (Scooter)	93→	B6HS	4510			BR6HIX	3419	0.5
150	Chetak 150	01→	BPR5HS	6222					0.7

<b>BAOTIAN</b>									
50	BT49QT-9 / -11 / -12 Ø10mm Plug	04→	CR7HSA	4549			CR7HIX	7544	0.6
110	BT110-2	04→	CR7HSA	4549			CR7HIX	7544	0.6
125	Citibike 125	04→	CR7HSA	4549			CR7HIX	7544	0.6
	Monza 125	11→	CR7HSA	4549			CR7HIX	7544	0.6
	Tanco 125	04→	CR7HSA	4549			CR7HIX	7544	0.6

<b>BAROSSA</b>									
125	XS125T-13	12/07→	CR7HSA	4549			CR7HIX	7544	0.6

<b>BASHAN</b>									
110	BS110 GY	01→	C7HSA	4629			CR7HIX	7544	0.6
125	BS125 GY	01→	D8EA	2120	DR8EVX	6354	DR8EIX	6681	0.6
200	BS200 GY	01→	D8EA	2120	DR8EVX	6354	DR8EIX	6681	0.6
250	Vixen VX250	06→	DR8EA	7162	DR8EVX	6354	DR8EIX	6681	0.7

<b>BATAVUS</b>									
50	Mondial	80→	B6HS	4510			BR6HIX	3419	0.4
	Starglo	76→	B7HS	5110			BR7HIX	7067	0.5

<b>BEELINE</b>									
50	Veloce GT 50	09→	C7HSA	4629			CR7HIX	7544	0.6
	Veloce Racing	09→	C7HSA	4629			CR7HIX	7544	0.6



CC	MODEL	DATE	STANDARD COPPER CORE	STOCK NUMBER	PLATINUM OR GOLD PALLADIUM	STOCK NUMBER	IRIDIUM	STOCK NUMBER	GAP MM
<b>BENELLI</b>									
50	491 Sport, ST GP, Rage, RR SBK, RR GP	98→	BR8HS	4322			BR8HIX	7001	0.5
	49X Quattro Nove	08→	BR8HSA	5539			BR8HIX	7001	0.8
	49X Road	08→	BR8HSA	5539			BR8HIX	7001	0.8
	49X Trek	08→	BR8HSA	5539			BR8HIX	7001	0.8
	50 Cross	64→	B6ES	7310					0.5
	G2	75→80	B6ES	7310					0.5
	G2 Elle	75→80	B6ES	7310					0.5
	K2, K2 Air	98→	BR8HS	4322			BR8HIX	7001	0.5
	Motorella	65→	B6ES	7310					0.5
	Namur 50	98→01	BR8HS	4322			BR8HIX	7001	0.5
	Pepe	00→	BR8HS	4322			BR8HIX	7001	0.5
100	K2 100	99→	BR8HS	4322			BR8HIX	7001	0.5
125	125 Roadster/Cross	71→	B7ES	1111			BR7EIX	6664	0.5
	Adiva	01→06	CR8EB	7784			CR8EIX	4218	0.8
	Velvet 125	99→	CR8E	1275			CR8EIX	4218	0.6
150	Adiva 150	01→06	CR8E	1275			CR8EIX	4218	0.6
230	254 & 304	80→	B7HS	5110			BR7HIX	7067	0.5
250	250 (4-cyl.)		C7HSA	4629			CR7HIX	7544	0.5
	250 Super	72→	B8ES	2411			BR8EIX	5044	0.5
	Adiva 250	08→	CR8EB	7784			CR8EIX	4218	0.8
	Cafénero 250	12→	CR8E	1275			CR8EIX	4218	0.6
	Velvet 250	00→	CR8E	1275			CR8EIX	4218	0.6
300	BN 302	14→	CR9EB	6955			CR9EIX	3521	0.7
350	354 Sei	80→	D8EA	2120	DR8EVX	6354	DR8EIX	6681	0.5
400	Velvet 400	03→04	CR9E	6263			CR9EIX	3521	0.7
500	Quattro 500	73→83	D8EA	2120	DR8EVX	6354	DR8EIX	6681	0.5
600	BN 600 GT	14→	CR9E	6263			CR9EIX	3521	0.7
	BN 600 I	14→	CR9E	6263			CR9EIX	3521	0.7
	BN 600 R	14→	CR9E	6263			CR9EIX	3521	0.7
650	654 Sei	80→	D8EA	2120	DR8EVX	6354	DR8EIX	6681	0.5
750	750 Sei	72→78	D8EA	2120	DR8EVX	6354	DR8EIX	6681	0.5
900	900 Sei	79→	D8EA	2120	DR8EVX	6354	DR8EIX	6681	0.5
	TNT 899/S/T (Tornado Naked Tre)	08→	CR9E	6263			CR9EIX	3521	0.7
	Tornado Tre 900/903 RS	02→	CR9E	6263			CR9EIX	3521	0.7
	Tornado Tre 903	08→	CR9E	6263			CR9EIX	3521	0.7
	Tre-K 899	09→	CR9EB	6955			CR9EIX	3521	0.7
1130	TNT R160	10→	CR9EB	6955			CR9EIX	3521	0.7
	TNT 1130, K	04→	CR9E	6263			CR9EIX	3521	0.7
	TNT 1130 Titanium	06→	CR9E	6263			CR9EIX	3521	0.8
	TNT 1130 Sport Evo (Tornado Naked Tre)	07→	CR9E	6263			CR9EIX	3521	0.8
	TNT Café Racer 1130	01/06→	CR9E	6263			CR9EIX	3521	0.8
	Tornado Tre 1130	06→	CR9E	6263			CR9EIX	3521	0.7
	Tornado Tre K	06→	CR9E	6263			CR9EIX	3521	0.7
	Tre-K 1130K (Incl. Amazonas)	07→	CR9EB	6955			CR9EIX	3521	0.7

<b>BENZHOU</b>									
50	YY50QT	08→	CR7HSA	4549			CR7HIX	7544	0.6
125	YY125T		CR7HSA	4549			CR7HIX	7544	0.6
150	YY150		CR7HSA	4549			CR7HIX	7544	0.6
250	YY250	07→	DR8EA	7162	DR8EVX	6354	DR8EIX	6681	0.6

<b>BETA / BETAMOTOR</b>									
50	Ark (Air Cooled)	98→	BR7HS	4122			BR7HIX	7067	0.6
	Ark (Liquid Cooled)	97→	BR8HS	4322			BR8HIX	7001	0.7
	Eikon 50	99→	BR8HS	4322			BR8HIX	7001	0.7
	Enduro 50		BR10ES	4832			BR10EIX	6801	0.7
	Mini Cross 10/10, 12/13, 12/15 & Mini Trial		B7HS	5110			BR7HIX	7067	0.6
	Quadra	97→	BR7HS	4122			BR7HIX	7067	0.6
	R10	08→	B7HS	5110			BR7HIX	7067	0.6
	R12	08→	B7HS	5110			BR7HIX	7067	0.6
	Rev 50	03→	B9ES	2611	B9EVX	7254	BR9EIX	3981	0.5
	RR Enduro 50	98→05	BR10ES	4832			BR10EIX	6801	0.7





CC	MODEL	DATE	STANDARD COPPER CORE	STOCK NUMBER	PLATINUM OR GOLD PALLADIUM	STOCK NUMBER	IRIDIUM	STOCK NUMBER	GAP MM	
<b>BETA / BETAMOTOR (CONTINUED)</b>										
50	RR Enduro 50, Racing 50 (Euro 2)	04→	BR9ES	5722			BR9EIX	3981	0.6	
	RR 50 Motard	08→	BR9ES	5722			BR9EIX	3981	0.6	
	Supermotard 50	02→05	BR10ES	4832			BR10EIX	6801	0.7	
	Supersmoto 50		BR10ES	4832			BR10EIX	6801	0.7	
	Tempo		BR7HS	4122			BR7HIX	7067	0.6	
	Zero		B8ES	2411			BR8EIX	5044	0.5	
70	Supersmoto 72, Enduro 72				B10HVX	2940	BR10HIX	6692	0.6	
80	EVO 80, Junior	09→	BR8ES	5422			BR8EIX	5044	0.6	
	Rev 80	03→	B9ES	2611	B9EVX	7254	BR9EIX	3981	0.5	
107	R107-4T		C7HSA	4629			CR7HIX	7544	0.7	
125	125 E6G		B7HS	5110			BR7HIX	7067	0.5	
	125 Enduro		B7HS	5110			BR7HIX	7067	0.5	
	125 Trial		B6ES	7310					0.5	
	Alp 4T 125	00→	DR8EA	7162	DR8EVX	6354	DR8EIX	6681	0.6	
	Eikon 125	99→	DPR7EA-9	5129			DPR7EIX-9	7803	0.9	
	Euro 125		DR8EA	7162	DR8EVX	6354	DR8EIX	6681	0.6	
	EVO 125 2T	09→	BR7ES	5122			BR7EIX	6664	0.6	
	Minicross R 125 4T		C7HSA	4629			CR7HIX	7544	0.7	
	RE 125 4T		CR7HSA	4549			CR7HIX	7544	0.6	
	REV 3 125 Trials	00→07	BP7ES	2412	BP7EVX	7270	BPR7EIX	4055	0.6	
	REV 3 125 Trials	08→	BR7ES	5122			BR7EIX	6664	0.7	
	RR 125 4T Enduro, Motard		CR7HSA	4549			CR7HIX	7544	0.6	
	Synt		B8ES	2411			BR8EIX	5044	0.5	
	TR32		B8ES	2411			BR8EIX	5044	0.5	
	TR34		B8ES	2411			BR8EIX	5044	0.5	
	TR35		B8ES	2411			BR8EIX	5044	0.5	
	Urban 125	08→	CR7HSA	4549			CR7HIX	7544	0.6	
	Zero		B8ES	2411			BR8EIX	5044	0.5	
	150	Eikon 150	99→	DPR7EA-9	5129			DPR7EIX-9	7803	0.9
	200	Alp 4T 200	00→	DR8EA	7162	DR8EVX	6354	DR8EIX	6681	0.6
EVO 200 2T		09→	BR7ES	5122			BR7EIX	6664	0.6	
REV 3 200 Trials		00→07	BP7ES	2412	BP7EVX	7270	BPR7EIX	4055	0.6	
REV 3 200 Trials		08→	BR7ES	5122			BR7EIX	6664	0.7	
Techno 200 Trial		→96	BR8ES	5422			BR8EIX	5044	0.6	
Techno 200 Trial		96→	BP7ES	2412	BP7EVX	7270	BPR7EIX	4055	0.6	
Urban 200		08→	DR8EA	7162	DR8EVX	6354	DR8EIX	6681	0.6	
240	Super Trial		B8ES	2411			BR8EIX	5044	0.5	
	TR33		B6ES	7310					0.5	
	Trial		B6ES	7310					0.5	
250	Enduro		B7HS	5110			BR7HIX	7067	0.5	
	EVO 250 2T	09→	BR7ES	5122			BR7EIX	6664	0.6	
	EVO 250 4T	09→	CR7EB	4663			CR7EIX	7385	0.6	
	REV 3 250 2T Trials	00→07	BP7ES	2412	BP7EVX	7270	BPR7EIX	4055	0.6	
	REV 3 250 2T Trials	08→	BR7ES	5122			BR7EIX	6664	0.7	
	REV 4T 250 Trials	07→	CR7EB	4663			CR7EIX	7385	0.6	
	RR 250 4T		DCPR8E*	4339			DCR8EIX	3606	0.7	
	Techno 250 Trial	→96	BR8ES	5422			BR8EIX	5044	0.6	
	Techno 250 Trial	96→	BP7ES	2412	BP7EVX	7270	BPR7EIX	4055	0.6	
	TR32		B8ES	2411			BR8EIX	5044	0.5	
260	Synt		B8ES	2411			BR8EIX	5044	0.5	
	TR34		B8ES	2411			BR8EIX	5044	0.5	
	TR35		B8ES	2411			BR8EIX	5044	0.5	
	Zero Gara		B8ES	2411			BR8EIX	5044	0.5	
270	REV 3 270 Trials	00→07	BP7ES	2412	BP7EVX	7270	BPR7EIX	4055	0.6	
	REV 3 270 Trials	08→	BR7ES	5122			BR7EIX	6664	0.7	
	Techno 270 Trial	→96	BR8ES	5422			BR8EIX	5044	0.6	
	Techno 270 Trial	96→	BP7ES	2412	BP7EVX	7270	BPR7EIX	4055	0.6	
290	EVO 290 2T	09→	BR7ES	5122			BR7EIX	6664	0.6	
300	EVO 300 4T	09→	CR7EB	4663			CR7EIX	7385	0.6	
350	Alp 4.0 (Suzuki engine)		CR9EK	4548			CR9EIX	3521	0.7	
	Euro 350	01→	CR9EK	4548			CR9EIX	3521	0.7	



\* Please note DCPR8E 4339 has a removable terminal nut, whereas DCPR8E 4179 has a fixed terminal nut





CC	MODEL	DATE	STANDARD COPPER CORE	STOCK NUMBER	PLATINUM OR GOLD PALLADIUM	STOCK NUMBER	IRIDIUM	STOCK NUMBER	GAP MM
<b>BETA / BETAMOTOR (CONTINUED)</b>									
350	Jonathan 350		CR9EK	4548			CR9EIX	3521	0.7
	M4 4T		CR9EK	4548			CR9EIX	3521	0.7
	Motard 4.0		CR9EK	4548			CR9EIX	3521	0.7
400	RR 400 4T		DCPR8E*	4339			DCR8EIX	3606	0.7
450	RR 450 4T		DCPR8E*	4339			DCR8EIX	3606	0.7
525	RR 525 4T		DCPR8E*	4339			DCR8EIX	3606	0.7

<b>BIMOTA</b>									
500	500 V-Due		BR9ES	5722			BR9EIX	3981	0.7
600	YB9 SRi		CR9E	6263			CR9EIX	3521	0.7
900	DB3 Mantra		DPR8EA-9	4929			DPR8EIX-9	2202	0.6
	DB4		DPR8EA-9	4929			DPR8EIX-9	2202	0.6
	Mantra		DPR7EA-9	5129			DPR7EIX-9	7803	0.9
992	DB5	05→	DCPR8E*	4339			DCR8EIX	3606	0.9
	DB6 Delirio	06→	DCPR8E*	4339			DCR8EIX	3606	0.9
1000	Mono, Biposto	91→93	D8EA	2120	DR8EVX	6354	DR8EIX	6681	0.6
	SB8R/S	99→00	CR9EK	4548			CR9EIX	3521	0.7
	YB11 Superleggera	00→	DR8EA	7162	DR8EVX	6354	DR8EIX	6681	0.7
1078	DB5R/S	07→	DCPR8E*	4339			DCR8EIX	3606	0.9
	DB6R/S	08→	DCPR8E*	4339			DCR8EIX	3606	0.9
1098	DB7	09→	MAR10A-J	4706					0.8
1100	SB6, SB6R	97→	CR9E	6263			CR9EIX	3521	0.7

<b>BMW</b>									
125	C1	00→04	CR8EB	7784			CR8EIX	4218	0.7
175	C1 200	01→04	CR8EB	7784			CR8EIX	4218	0.7
450	G450X	08→	CR9EKB	2305			CR9EIX	3521	0.8
	R45	78→	BP7ES	2412	BP7EVX	7270	BPR7EIX	4055	0.6
600	R60/7	→78	BP7ES	2412	BP7EVX	7270	BPR7EIX	4055	0.6
650	C600 Sport	12→	LMAR8D-J	93444					0.8
	C650 GT	12→	LMAR8D-J	93444					0.8
	F650	94→99	D8EA	2120	DR8EVX	6354	DR8EIX	6681	0.7
	F650ST Strada	97→99	D8EA	2120	DR8EVX	6354	DR8EIX	6681	0.7
	F650GS, GSD	00→02	DR8EB	4855	DR8EVX	6354	DR8EIX	6681	0.7
	F650CS, GS, GS Dakar	02→05	DR8EB	4855	DR8EVX	6354	DR8EIX	6681	0.7
	F650GS, GS Dakar (Single cylinder Twin Spark)	11/05→11/07	DR8EB	4855	DR8EVX	6354	DR8EIX	6681	0.7
	G650GS (Twin Spark)	03/11→	DR8EB	4855	DR8EVX	6354	DR8EIX	6681	0.7
	G650GS Sertão (Twin Spark)	03/12→	DR8EB	4855	DR8EVX	6354	DR8EIX	6681	0.7
	G650 Xchallenge, Xcountry, Xmoto (Twin Spark)	07→	DR8EB	4855	DR8EVX	6354	DR8EIX	6681	0.7
	R65	78→	BP7ES	2412	BP7EVX	7270	BPR7EIX	4055	0.6
	R65/GS		BP6ES	7811	BP6EVX	5832	BPR6EIX	6637	0.6
	R65LS	81→85	BP7ES	2412	BP7EVX	7270	BPR7EIX	4055	0.6
750	K75	85→97	D7EA	7912					0.6
	R75/7		BP7ES	2412	BP7EVX	7270	BPR7EIX	4055	0.6
800	F650GS (Twin cylinder 798cc)	11/07→12	DCPR8E*	4339			DCR8EIX	3606	0.7
	F 700 GS	13→	DCPR8E*	4339			DCR8EIX	3606	0.8
	F800S/ST	05/06→12	DCPR8E*	4339			DCR8EIX	3606	0.8
	F 800 GT	13→	DCPR8E*	4339			DCR8EIX	3606	0.8
	F800GS	11/07→	DCPR8E*	4339			DCR8EIX	3606	0.8
	F800R	05/09→	DCPR8E*	4339			DCR8EIX	3606	0.8
	R80GS	80→94	BP6ES	7811	BP6EVX	5832	BPR6EIX	6637	0.6
	R80RT	82→95	BP6ES	7811	BP6EVX	5832	BPR6EIX	6637	0.6
	R80ST	82→85	BP6ES	7811	BP6EVX	5832	BPR6EIX	6637	0.6
R80TIC	80→85	BP6ES	7811	BP6EVX	5832	BPR6EIX	6637	0.6	
850	R850C, R850GS, R850R	→04/99	BCPR7ET	2164			BKR7EIX	2667	0.8
	R850C, R850GS, R850R	04/99→	BKR7EKC	7354			BKR7EIX	2667	0.8
900	R90/6	73→76	BP6ES	7811	BP6EVX	5832	BPR6EIX	6637	0.6
	R90S	73→76	BP7ES	2412	BP7EVX	7270	BPR7EIX	4055	0.6



\* Please note DCPR8E 4339 has a removable terminal nut, whereas DCPR8E 4179 has a fixed terminal nut



## 2 Wheel



CC	MODEL	DATE	STANDARD COPPER CORE	STOCK NUMBER	PLATINUM OR GOLD PALLADIUM	STOCK NUMBER	IRIDIUM	STOCK NUMBER	GAP MM	
<b>BMW (CONTINUED)</b>										
1000	K1	89→93	D7EA	7912					0.6	
	K100	83→	D7EA	7912					0.6	
	K100RS 16 Valve	91→	D7EA	7912					0.6	
	R100/7	76→79	BP7ES	2412	BP7EVX	7270	BPR7EIX	4055	0.6	
	R100RS, S	76→85	BP7ES	2412	BP7EVX	7270	BPR7EIX	4055	0.6	
	R100RT	79→85	BP7ES	2412	BP7EVX	7270	BPR7EIX	4055	0.6	
	R100GS, RS, RT (Re-introduced)	87→93	BP6ES	7811	BP6EVX	5832	BPR6EIX	6637	0.6	
	S1000R	11/13→	LMAR9D-J	1633					0.8	
	S1000RR (Incl. HP4)	12/09→	LMAR9D-J	1633					0.8	
1100	K1100LT/SE	92→	DR7EA	7839					0.6	
	K1100RS	92→	DR7EA	7839					0.6	
	R1100GS	→04/99	BCPR7ET	2164			BKR7EIX	2667	0.8	
	R1100GS	04/99→	BKR7EKC	7354			BKR7EIX	2667	0.8	
	R1100R	95→	BCPR7ET	2164			BKR7EIX	2667	0.8	
	R1100RS/RT	93→	BCPR7ET	2164			BKR7EIX	2667	0.8	
	R1100S	→04/99	BCPR7ET	2164			BKR7EIX	2667	0.8	
	R1100S	04/99→03	BKR7EKC	7354			BKR7EIX	2667	0.8	
	R1100S (Twin Spark)	Ø12mm Plug Ø14mm Plug	03→	DCPR8EKC BKR7EKC	7168 7354			DCPR8EIX BKR7EIX	6546 2667	0.9 0.9
1130	R1150GS/R/RS/RT	99→03	BKR7EKC	7354			BKR7EIX	2667	0.9	
	R1150GS/R/S (Twin Spark)	Ø12mm Plug Ø14mm Plug	03→	DCPR8EKC BKR7EKC	7168 7354			DCPR8EIX BKR7EIX	6546 2667	0.9 0.9
1157	K1200R	01/05→					KR9CI	7795	0.8	
	K1200R Sport	11/07→					KR9CI	7795	0.8	
	K1200S	09/04→					KR9CI	7795	0.8	
1170	HP2 Enduro (Twin Spark)	Ø12mm Plug Ø14mm Plug	05→	DCPR8EKC BKR7EKC	7168 7354			DCPR8EIX BKR7EIX	6546 2667	0.9 0.9
	HP2 Megamoto (Twin Spark) Ø12mm Plug		07→	DCPR8EKC	7168			DCPR8EIX	6546	0.9
	HP2 Sport		08→	MAR9B-JDS	1316					0.8
	K1200GT		03→11/05	DCPR7E	3932	DCPR7EVX	1179	DCPR7EIX	6046	0.8
	K1200GT		01/06→					KR9CI	7795	0.8
	K1200RS/LT		97→	DCPR7E	3932	DCPR7EVX	1179	DCPR7EIX	6046	0.8
	R1200C Classic, Avantgarde, Independent		97→	BKR7EKC	7354			BKR7EIX	2667	0.9
	R1200GS (Twin Spark) Ø12mm Plug		04→09	DCPR8EKC	7168			DCPR8EIX	6546	0.9
	R1200GS (Twin Spark) Ø10mm Plug (19mm Thread Reach)		10→02/13	MAR8B-JDS	8765					0.8
	R1200GS (Liquid Cooled) (26.5mm Thread Reach)		03/13→	LMAR8D-J	93444					0.8
	R1200GS Adventure (Liquid Cooled) (26.5mm Thread Reach)		10/13→	LMAR8D-J	93444					0.8
	R1200R SOHC (Twin Spark) Ø12mm Plug		06→10	DCPR8EKC	7168			DCPR8EIX	6546	0.9
	R1200R, Classic DOHC (Twin Spark) Ø10mm Plug		03/11→	MAR8B-JDS	8765					0.8
	R1200RT (Twin Spark) Ø12mm Plug		03/05→09	DCPR8EKC	7168			DCPR8EIX	6546	0.9
	R1200RT (Twin Spark) Ø10mm Plug (19mm Thread Reach)		09→10/13	MAR8B-JDS	8765					0.8
	R1200RT (Liquid Cooled) (26.5mm Thread Reach)		11/13→	LMAR8D-J	93444					0.8
	R1200S (Twin Spark)		06→	DCPR8EKC	7168			DCPR8EIX	6546	0.9
R1200ST (Twin Spark)		03/05→	DCPR8EKC	7168			DCPR8EIX	6546	0.9	
R nine T (Twin Spark)		14→	MAR8B-JDS	8765					0.8	
1293	K1300GT (Incl. Exclusive Edition)	09→					KR9CI	7795	0.8	
	K1300R	09→					KR9CI	7795	0.8	
	K1300S (Incl. HP)	09→					KR9CI	7795	0.8	
1640	K1600GT, GTL	11→					LMAR8AI-8	92288	0.8	

<b>BSA</b>									
50	Beaver, Brigand, Boxer		B6HS	4510			BR6HIX	3419	0.5
	ER1K, Junior, Easy Rider ER1/ER2	80→	BP6ES	7811	BP6EVX	5832	BPR6EIX	6637	0.5
	NVT Models: Easy Rider ER1/2/4, Ranger	80→	BP6ES	7811	BP6EVX	5832	BPR6EIX	6637	0.5
125	Rambler 125, Tracker 125	79→	B9ES	2611	B9EVX	7254	BR9EIX	3981	0.5
175	Rambler 175, Tracker 175, Trials 175	79→	B8ES	2411			BR8EIX	5044	0.5
400	Gold SR 400	99→03	BPR6ES	7822			BPR6EIX	6637	0.7
500	Gold SR 500	99→	BPR7ES	2023			BPR7EIX	4055	0.7
	Victor, B50 Moto-Cross	66→67	B8EG	3430	B8EGV	5627	BR8EIX	5044	0.5
750	A75 and Rocket 3	→75	B8ES	2411			BR8EIX	5044	0.6



CC	MODEL	DATE	STANDARD COPPER CORE	STOCK NUMBER	PLATINUM OR GOLD PALLADIUM	STOCK NUMBER	IRIDIUM	STOCK NUMBER	GAP MM
<b>BUELL</b>									
984	Firebolt XB9R	02→	DCPR9E	2641	DCPR9EVX	6436	DCPR9EIX	2316	0.9
	Lightning CityX XB9SX	05→	DCPR9E	2641	DCPR9EVX	6436	DCPR9EIX	2316	0.9
	Lightning XB9S	02→	DCPR9E	2641	DCPR9EVX	6436	DCPR9EIX	2316	0.9
	XB9X (City X)	09→	DCPR9E	2641	DCPR9EVX	6436	DCPR9EIX	2316	0.9
1125	1125R	08→	CR9EKB	2305			CR9EIX	3521	0.8
	1125CR (Café Racer)	09→	CR9EKB	2305			CR9EIX	3521	0.8
1200	Firebolt XB12R	03→	DCPR9E	2641	DCPR9EVX	6436	DCPR9EIX	2316	0.9
	Lightning XB12S/Ss	04→	DCPR9E	2641	DCPR9EVX	6436	DCPR9EIX	2316	0.9
	Lightning XB12Scg	06→	DCPR9E	2641	DCPR9EVX	6436	DCPR9EIX	2316	0.9
	Lightning XB12STT	07→	DCPR9E	2641	DCPR9EVX	6436	DCPR9EIX	2316	0.9
	M2 Cyclone	97→03	DCPR9E	2641	DCPR9EVX	6436	DCPR9EIX	2316	0.9
	S1 Lightning	97→99	DCPR9E	2641	DCPR9EVX	6436	DCPR9EIX	2316	0.9
	S1W White Lightning	1998	DCPR9E	2641	DCPR9EVX	6436	DCPR9EIX	2316	0.9
	S3 Thunderbolt	97→99	DCPR9E	2641	DCPR9EVX	6436	DCPR9EIX	2316	0.9
	Ulysses XB12X	05→	DCPR9E	2641	DCPR9EVX	6436	DCPR9EIX	2316	0.9
	X1 Lightning	99→03	DCPR9E	2641	DCPR9EVX	6436	DCPR9EIX	2316	0.9

<b>CAGIVA</b>									
50	City 50	94→	BPR8HS	3725			BPR8HIX	6742	0.5
	Mito 50 (Standard)	98→	B9ES	2611	B9EVX	7254	BR9EIX	3981	0.5
	Prima 50	92→	B8ES	2411			BR8EIX	5044	0.5
	Supercity 50	92→	B8ES	2411			BR8EIX	5044	0.5
	W4 50	92→	B8ES	2411			BR8EIX	5044	0.5
75	Prima 80	92→	B8ES	2411			BR8EIX	5044	0.5
	Supercity 80	92→	B8ES	2411			BR8EIX	5044	0.5
	W4 80	92→	B8ES	2411			BR8EIX	5044	0.5
125	Blues 125	91→93			B95EGV	2145			0.5
	Freccia C12/C12R	89→	B9ES	2611	B9EVX	7254	BR9EIX	3981	0.5
	K7	90→			B95EGV	2145			0.5
	Mito 125	91→	BR9EG	3230			BR9EIX	3981	0.6
	Mito 125 (Race)				B95EGV	2145			0.7
	Mito (Le Lawson)	92→			B95EGV	2145			0.5
	Mito 525SP	04/08→	BR9EG	3230			BR9EIX	3981	0.6
	Planet 125	98→			B95EGV	2145			0.6
	Raptor (2-Stroke)	04→	BR9EG	3230			BR9EIX	3981	0.6
	Roadster 125	92→	B9ES	2611	B9EVX	7254	BR9EIX	3981	0.6
	Super City 125	→02/95	B9EG	3530	B9EGV	5827	BR9EIX	3981	0.5
	Super City 125	06/98→			B95EGV	2145			0.6
	W8 125	→12/92	B9EG	3530	B9EGV	5827	BR9EIX	3981	0.6
	W8 125	07/98→	B9ES	2611	B9EVX	7254	BR9EIX	3981	0.6
	WMX 125		B10EG	3630	B10EGV	5927	BR10EIX	6801	0.5
WSXT 125	82→	B9EG	3530	B9EGV	5827	BR9EIX	3981	0.5	
250	SST 250	81→	B8ES	2411			BR8EIX	5044	0.5
	WMX 250				B95EGV	2145			0.5
350	Indiana 350	78→89	BP7HS	5111			BPR7HIX	5944	0.5
	W12 350	93→	DPR8EA-9	4929			DPR8EIX-9	2202	0.6
500	Canyon 500	02/98→	DCPR8E*	4179			DCR8EIX	3606	0.6
	River 500	99→	DCPR8E*	4179			DCR8EIX	3606	0.6
600	Canyon 600	→03/97	BCP7ES	5030	BCP7EVX	7681	BCPR7EIX	5690	0.8
	River 600	95→	BCP7ES	5030	BCP7EVX	7681	BCPR7EIX	5690	0.8
	W16 600	→95	C7E	5096			CR7EIX	7385	0.6
	W16 600	95→	BCP7ES	5030	BCP7EVX	7681	BCPR7EIX	5690	0.8
650	Alazzurra 650	85→88	BP7HS	5111			BPR7HIX	5944	0.5
	Indiana 650		BP7HS	5111			BPR7HIX	5944	0.5
	Raptor	00→	CR8E	1275			CR8EIX	4218	0.7
	V Raptor	00→	CR8E	1275			CR8EIX	4218	0.7
750	Elefant 750	87→	DPR8EA-9	4929			DPR8EIX-9	2202	0.6
	Indiana 750		BP7HS	5111			BPR7HIX	5944	0.5
900	900GT	91→	DR9EA	3437	DR9EVX	6361	DR9EIX	4772	0.5
	900 i.e.	91→	DR9EA	3437	DR9EVX	6361	DR9EIX	4772	0.5



\* Please note DCPR8E 4339 has a removable terminal nut, whereas DCPR8E 4179 has a fixed terminal nut





CC	MODEL	DATE	STANDARD COPPER CORE	STOCK NUMBER	PLATINUM OR GOLD PALLADIUM	STOCK NUMBER	IRIDIUM	STOCK NUMBER	GAP MM
<b>CAGIVA (CONTINUED)</b>									
900	Elefant 900	91→	DPR8EA-9	4929			DPR8EIX-9	2202	0.9
	Gran Canyon	99→	DCPR8E*	4179			DCR8EIX	3606	0.6
1000	Navigator/T	00→	CR8EK	3478			CR8EIX	4218	0.7
	Raptor	00→	CR8EK	3478			CR8EIX	4218	0.7
	V Raptor	00→	CR8EK	3478			CR8EIX	4218	0.7
	Xtra Raptor	02→	CR8EK	3478			CR8EIX	4218	0.7

<b>CAN-AM (BRP)</b>									
998	Spyder RS	08→12	DCPR9E	2641			DCPR9EIX	2316	0.7
	Spyder RS Ø12mm Plug	13→					KR8BI	4347	0.7
	Spyder RT Ø12mm Plug	10→11	DCPR9E	2641			DCPR9EIX	2316	0.7
	Spyder RT Ø12mm Plug	12→13					KR8BI	4347	0.7
	Spyder ST Ø12mm Plug	13→					KR8BI	4347	0.7
1330	Spyder RT Ø10mm Plug	14→					MR7BI-8	90982	0.8

<b>CCM (ARMSTRONG-CCM)</b>									
125	CMX 125 L/C	83→85	B9EG	3530	B9EGV	5827	BR9EIX	3981	0.5
	Moto-X Hiro 125	79→80	B10EG	3630	B10EGV	5927	BR10EIX	6801	0.5
240	Trials CMT 240		BP5ES	6511			BPR5EIX	6597	0.5
250	CMT 250 Trials		BP5ES	6511			BPR5EIX	6597	0.5
	CMX 250 1982	1982	B8EG	3430	B8EGV	5627	BR8EIX	5044	0.5
	CMX 250, 250 L/C	83→85	B9EG	3530	B9EGV	5827	BR9EIX	3981	0.5
	Moto-X Hiro 250	79→81	B9EG	3530	B9EGV	5827	BR9EIX	3981	0.5
310	CMT 310 Trials		BP5ES	6511			BPR5EIX	6597	0.5
320	CMT 320 Trials		BP5ES	6511			BPR5EIX	6597	0.5
350	350 Trials	1978	B6ES	7310					0.5
	CMT 350 Trials		BP5ES	6511			BPR5EIX	6597	0.5
400	404E/DS	03→	CR8E	1275			CR8EIX	4218	0.7
	404XC-Trail		CR8E	1275			CR8EIX	4218	0.7
	FT35	05→	CR8E	1275			CR8EIX	4218	0.7
	R35	06→	CR8E	1275			CR8EIX	4218	0.7
	SR40	07→	CR8E	1275			CR8EIX	4218	0.7
434	R35 Factory Big Bore Conversion	06→	CR8E	1275			CR8EIX	4218	0.7
450	CMX 450	82→	B8EG	3430	B8EGV	5627	BR8EIX	5044	0.5
490	CMX 490		B8EG	3430	B8EGV	5627	BR8EIX	5044	0.5
500	CMX 500 (4-Stroke)		D8EA	2120	DR8EVX	6354	DR8EIX	6681	0.5
	Moto-X (4-Stroke) 2 valve models	72→79	B8EG	3430	B8EGV	5627	BR8EIX	5044	0.5
	Moto-X (4-Stroke) 4 valve models	79→81					CR8EIX	4218	0.5
	MTT 500		D8EA	2120	DR8EVX	6354	DR8EIX	6681	0.5
560	CCM 560		D8EA	2120	DR8EVX	6354	DR8EIX	6681	0.5
	CMX 560 (4-Stroke)		D8EA	2120	DR8EVX	6354	DR8EIX	6681	0.5
600	604E Sport & Supermoto	98→02	D8EA	2120	DR8EVX	6354	DR8EIX	6681	0.5
	604R / RS / R30	98→02	D8EA	2120	DR8EVX	6354	DR8EIX	6681	0.5
640	640 RS (Rotax engine)	99→00	D8EA	2120	DR8EVX	6354	DR8EIX	6681	0.5
644	644 (Suzuki engine)	02→	CR10E	6264			CR10EIX	6482	0.7
	R30 (Suzuki engine)	05→	CR10E	6264			CR10EIX	6482	0.7
710	R30 (Suzuki engine)	05→	CR10E	6264			CR10EIX	6482	0.7

<b>CF MOTO</b>									
250	V3 Auto 250T-3	07→	DPR8EA-9	4929			DPR8EIX-9	2202	0.9
	V5 Auto 250T-5		DPR8EA-9	4929			DPR8EIX-9	2202	0.9

<b>COSSACK</b>									
350	Jupiter	73→79	BR6HS	3922			BR6HIX	3419	0.6
	Planeta	73→79	BR6HS	3922			BR6HIX	3419	0.6
650	Dnepr, Ural	73→79	BR6HS	3922			BR6HIX	3419	0.6



\* Please note DCPR8E 4339 has a removable terminal nut, whereas DCPR8E 4179 has a fixed terminal nut





CC	MODEL	DATE	STANDARD COPPER CORE	STOCK NUMBER	PLATINUM OR GOLD PALLADIUM	STOCK NUMBER	IRIDIUM	STOCK NUMBER	GAP MM
<b>CPI</b>									
50	Aragon 50	06→	BR7ES	5122			BR7EIX	6664	0.7
	Aragon GP50	06→	BR7ES	5122			BR7EIX	6664	0.7
	Formula R (Euro 1, 12.7mm Thread Reach)	→05	BR7HS	4122			BR7HIX	7067	0.7
	Formula R (Euro 2, 19mm Thread Reach)	06→	BR7ES	5122			BR7EIX	6664	0.7
	GTR 50 (12.7mm Thread Reach)	03→04	BR7HS	4122			BR7HIX	7067	0.7
	GTR 50 (19mm Thread Reach)	05→	BR10EG	3830			BR10EIX	6801	0.6
	GTS 50 (12.7mm Thread Reach)	03→04	BR7HS	4122			BR7HIX	7067	0.7
	GTS 50 (19mm Thread Reach)	05→	BR10EG	3830			BR10EIX	6801	0.6
	Hussar 50, Mars JP50, Baby J 50 (Euro 1)		BR8HSA	5539			BPR8HIX	6742	0.6
	Hussar 50 (Euro 2)	03→	BR7ES	5122			BR7EIX	6664	0.7
	Oliver 50 (Euro 2)	03→	BR7ES	5122			BR7EIX	6664	0.7
	Popcorn 50 (Euro 2)	03→	BR7ES	5122			BR7EIX	6664	0.7
	Supercross 50 (Euro 1, 12.7mm Thread Reach)		BR7HS	4122			BR7HIX	7067	0.7
	Supercross 50 (Euro 2, 19mm Thread Reach)	03→05	BR7ES	5122			BR7EIX	6664	0.7
	Supercross 50 SX	06→07	BR7ES	5122			BR7EIX	6664	0.7
	Supermoto 50 (Euro 1, 12.7mm Thread Reach)		BR7HS	4122			BR7HIX	7067	0.7
	Supermoto 50 (Euro 2, 19mm Thread Reach)	03→	BR7ES	5122			BR7EIX	6664	0.7
125	GTS 125	02→03	BR7HS	4122			BR7HIX	7067	0.7
	Hussar JU 125	04→	CR7HSA	4549			CR7HIX	7544	0.6
	Oliver City 125	06→	CR7HSA	4549			CR7HIX	7544	0.6
	QT4A ARN 125		CR7HSA	4549			CR7HIX	7544	0.6
	X-Large 125		BR7HS	4122			BR7HIX	7067	0.7
150	GTS 150		BR7HS	4122			BR7HIX	7067	0.7
	X-Large 150		BR7HS	4122			BR7HIX	7067	0.7
200	GTS 200		BR7HS	4122			BR7HIX	7067	0.7
	X-Large 200		BR7HS	4122			BR7HIX	7067	0.7

<b>DAELIM</b>									
50	Cordi	04→	BPR6HS	7022			BPR6HIX	4085	0.6
	E Five	03→	B8HS	5510	B8HVX	2634	BR8HIX	7001	0.7
	Message 49	98→	BR8HSA	5539			BPR8HIX	6742	0.7
	S Five	02→	B8HS	5510	B8HVX	2634	BR8HIX	7001	0.7
100	Delfino 100	99→	BR8HS	4322			BR8HIX	7001	0.7
110	Citi Ace 110	03→	C7HSA	4629			CR7HIX	7544	0.7
125	Altino NF125ES	03→	CR8EH-9	5666			CR8EHIX-9	3797	0.9
	History 125	04→	CR8EH-9	5666			CR8EHIX-9	3797	0.9
	NS125 Trans Eagle	98→	CR8EH-9	5666			CR8EHIX-9	3797	0.9
	Roadwin (Incl. R)	04→	CR8EH-9	5666			CR8EHIX-9	3797	0.9
	VEE125		CR8EH-9	5666			CR8EHIX-9	3797	0.9
	VL125 Daystar		CR8EH-9	5666			CR8EHIX-9	3797	0.9
	VS125	97→	CR8EH-9	5666			CR8EHIX-9	3797	0.9
250	Roadsport	12→	CR9EH-9	7502			CR9EHIX-9	6216	0.9
	VJF250 (Roadwin)	12→	CR9EH-9	7502			CR9EHIX-9	6216	0.9

<b>DERBI</b>									
50	Atlantis 50 (4-Stroke)	04→	CR8EB	7784			CR8EIX	4218	0.7
	Atlantis 50 (Air Cooled, 12.7mm Thread Reach)	99→02	B8HS	5510	B8HVX	2634	BR8HIX	7001	0.5
	Atlantis 50 (Air Cooled, 19mm Thread Reach)	03→	BR9ES	5722			BR9EIX	3981	0.6
	Atlantis 50 (Liquid Cooled)	00→	BR9ES	5722			BR9EIX	3981	0.6
	Black Devil	03→	B8ES	2411			BR8EIX	5044	0.6
	Black Edition	03→	B8ES	2411			BR8EIX	5044	0.6
	Black Mini	03→	CR9E	6263			CR9EIX	3521	0.6
	Dirt Boy, Dirt Kid	03→	CR9E	6263			CR9EIX	3521	0.6
	DRD 50 Supermoto	02→	B8ES	2411			BR8EIX	5044	0.5
	GP1	03→	BR10ES	4832			BR10EIX	6801	0.7
	GPR 50-R	97→	B8ES	2411			BR8EIX	5044	0.5
	GPR 50 (Standard power)	02→09	B8ES	2411			BR8EIX	5044	0.5
	GPR 50 (Full power)	02→	B9ES	2611	B9EVX	7254	BR9EIX	3981	0.6
	GPR 50	10→	BR8ES	5422			BR8EIX	5044	0.6
	Hunter	96→98	B8HS	5510	B8HVX	2634	BR8HIX	7001	0.5
	Predator LC	98→	B8ES	2411			BR8EIX	5044	0.5



CC	MODEL	DATE	STANDARD COPPER CORE	STOCK NUMBER	PLATINUM OR GOLD PALLADIUM	STOCK NUMBER	IRIDIUM	STOCK NUMBER	GAP MM
<b>DERBI (CONTINUED)</b>									
50	Senda 50 / R / SM (Standard power)	95→	B8ES	2411			BR8EIX	5044	0.5
	Senda 50 / R / SM (Full power)	95→	B9ES	2611	B9EVX	7254	BR9EIX	3981	0.6
	Sonar 50 2T	09→	BR8ES	5422			BR8EIX	5044	0.6
	Vamos	95→97	B8HS	5510	B8HVX	2634	BR8HIX	7001	0.5
85	Atlantis 100	00→	BR9ES	5722			BR9EIX	3981	0.7
	Senda 100	97→	B9ES	2611	B9EVX	7254	BR9EIX	3981	0.6
125	Boulevard 125 4T	03→	CPR8E	7411			CR8EIX	4218	0.6
	Cross City 125	07→	D8EA	2120	DR8EVX	6354	DR8EIX	6681	0.8
	GP1 125	06→	CR9EB	6955			CR9EIX	3521	0.6
	GPR 125 (Yamaha engine)	04→09	BR8ES	5422			BR8EIX	5044	0.7
	GPR 125	10→	CR8EB	7784			CR8EIX	4218	0.7
	HDR Cabriolet 125	00→	CR7E	4578			CR7EIX	7385	0.5
	Mulhacén Café 125	07→	CR8EB	7784			CR8EIX	4218	0.7
	Rambla 125	08→	CR8EB	7784			CR8EIX	4218	0.7
	Senda 125 4T (Honda engine)	03→	DPR8EA-9	4929			DPR8EIX-9	2202	0.7
	Senda Baja R 125	07→	D8EA	2120	DR8EVX	6354	DR8EIX	6681	0.8
	Sonar 125 (4-Stroke)	09→11	CR7EB	4663			CR7EIX	7385	0.6
	Terra 125	07→09	CR8EB	7784			CR8EIX	4218	0.7
150	Boulevard 150 4T	03→	CPR8E	7411			CR8EIX	4218	0.6
250	GP1 250	06→	CR9EB	6955			CR9EIX	3521	0.6
	Rambla 250	08→09	CR9EB	6955			CR9EIX	3521	0.6
300	Rambla 300i	10→	CR8EKB	4374			CR8EIX	4218	0.7
660	Mulhacén 659 / Café	06→	CR7E	4578			CR7EIX	7385	0.5

<b>DUCATI</b>									
250	250 Desmo, Monza, Sebring		B6HS	4510			BR6HIX	3419	0.5
350	350 Desmo, Sebring		B6HS	4510			BR6HIX	3419	0.5
	350 Sport	91→	BP7HS	5111			BPR7HIX	5944	0.6
400	400 SS, Junior	91→94	BP7HS	5111			BPR7HIX	5944	0.6
450	450 Desmo, Sebring		B6HS	4510			BR6HIX	3419	0.5
500	500 Desmo	78→83	B6HS	4510			BR6HIX	3419	0.5
	500 Pantah	80→84	BP7HS	5111			BPR7HIX	5944	0.6
600	600 Monster, Monster S, Monster Dark	94→01					DCR8EIX	3606	0.7
	600 Pantah	80→85	BP7HS	5111			BPR7HIX	5944	0.6
	600 SS	→94	DCPR8E*	4339			DCR8EIX	3606	0.7
	600 SS	94→98	DCPR8E*	4339			DCR8EIX	3606	0.7
620	620 i.e., S i.e. & i.e. Dark	02→	DCPR8E*	4339			DCR8EIX	3606	0.7
	Multistrada 620	04→	DCPR8E*	4339			DCR8EIX	3606	0.7
650	Indiana 650	86→88	BP7HS	5111			BPR7HIX	5944	0.6
695	Monster 695	06→08	DCPR8E*	4339			DCR8EIX	3606	0.7
696	Monster 696	08→	DCPR8E*	4339			DCR8EIX	3606	0.7
748	748, 748 Biposto	95→04					DCR9EIX	6650	0.6
	Dark	04→06	CR9EB	6955			CR9EIX	3521	0.6
	748 R	00→04	R2349-10	6839					0.6
	748 S	00→04					DCR9EIX	6650	0.6
	748 SP	95→98	R2349-10	6839					0.6
	748 SPS	98→00	R2349-10	6839					0.6
	749 (‡ Socket Ø <20.5mm)	02→06	CR9EB	6955			CR9EIX	3521	0.6
	749, R, S (‡ Socket Ø <20.5mm)	03→06	CR9EB	6955			CR9EIX	3521	0.6
750	750 F1	86→88	BP7HS	5111			BPR7HIX	5944	0.6
	750 F1	89→	DCPR8E*	4339			DCR8EIX	3606	0.7
	750 GT		B7HS	5110			BR7HIX	7067	0.5
	750 Monster	96→	DCPR8E*	4339			DCR8EIX	3606	0.7
	750 Montjuich		BP7HS	5111			BPR7HIX	5944	0.6
	750 Paso	86→90	DCPR8E*	4339			DCR8EIX	3606	0.7
	750 Sport		DCPR8E*	4339			DCR8EIX	3606	0.7

‡ Early Ducati Testastretta bikes (749, 998, 999 models) can have very little clearance between the plug hex and the cylinder head that may require a thin walled socket, no larger than 20.5mm OD to allow the plug to be fitted.



\* Please note DCPR8E 4339 has a removable terminal nut, whereas DCPR8E 4179 has a fixed terminal nut





CC	MODEL	DATE	STANDARD COPPER CORE	STOCK NUMBER	PLATINUM OR GOLD PALLADIUM	STOCK NUMBER	IRIDIUM	STOCK NUMBER	GAP MM
<b>DUCATI (CONTINUED)</b>									
750	750 SS	→90	B7HS	5110			BR7HIX	7067	0.5
	750 SS	91→	DCPR8E*	4339			DCR8EIX	3606	0.7
	750 SS i.e.	98→	DCPR8E*	4339			DCR8EIX	3606	0.7
803	800 Sport	03→	DCPR8E*	4339			DCR8EIX	3606	0.7
	800 i.e. Monster	03→05	DCPR8E*	4339			DCR8EIX	3606	0.7
	Hypermotard 796 (Twin Spark)	10→12	DCPR8E*	4339			DCR8EIX	3606	0.7
	Monster 796	10→	DCPR8E*	4339			DCR8EIX	3606	0.7
	S2R 800	05→08	DCPR8E*	4339			DCR8EIX	3606	0.7
	SS 800	03→	DCPR8E*	4339			DCR8EIX	3606	0.7
821	Hypermotard	13→	MAR9A-J	6869					0.8
	Hyperstrada	13→	MAR9A-J	6869					0.8
	Monster 821, Monster 821 Dark	14→	MAR9A-J	6869					0.8
849	848	08→	MAR10A-J	4706					0.8
	848 Evo, Evo Dark Stealth, Corse SE	07/10→	MAR10A-J	4706					0.8
	Streetfighter 848	11/11→	MAR10A-J	4706					0.8
851	851				DR9EVX	6361	DR9EIX	4772	0.6
	851 Strada	89→92			DR9EVX	6361	DR9EIX	4772	0.6
860	860 GT, GTS		B5HS	4210					0.6
888	851 SP (Sport Production)	90→92			DR9EVX	6361	DR9EIX	4772	0.6
	888 SP (Sport Production)	92→94					DCR9EIX	6650	0.8
	888 Strada	→93			DR9EVX	6361	DR9EIX	4772	0.6
	888 Strada	94→	DR9EA	3437	DR9EVX	6361	DR9EIX	4772	0.6
898	899 Panigale	13→	MAR9A-J	6869					0.8
900	900 Darmah SS, SD		B6HS	4510			BR6HIX	3419	0.5
	900 i.e. Monster, Monster Dark	99→	DCPR8E*	4339			DCR8EIX	3606	0.9
	900 Injection		DCPR8E*	4339			DCR8EIX	3606	0.9
	900 Monster, Monster S	97→	DCPR8E*	4339			DCR8EIX	3606	0.9
	900 SS, SSD, S2, Hailwood Replica	79→	B7HS	5110			BR7HIX	7067	0.6
	900 SS	91→	DCPR8E*	4339			DCR8EIX	3606	0.9
	900 Superlight	92→	DCPR8E*	4339			DCR8EIX	3606	0.9
	900 Supersport, FE	97→	DCPR8E*	4339			DCR8EIX	3606	0.9
	906 Paso	88→94	DCPR8E*	4339			DCR8EIX	3606	0.9
	907 I.E.	91→	DCPR8E*	4339			DCR8EIX	3606	0.9
916	916 (All models except SP)	94→					DCR9EIX	6650	0.8
	916 SP	94→	R2349-10	6839					0.6
	916 SPS Fogarty Replica	98→	R2349-10	6839					0.6
	S4 Monster	01→					DCR9EIX	6650	0.8
	ST4	98→03					DCR9EIX	6650	0.7
944	ST2	97→03					DCR9EIX	6650	0.8
989	Desmosedici RR	07→	MAR10A-J	4706					0.8
992	GT1000 (Twin Spark)	06→	DCPR8E*	4339			DCR8EIX	3606	0.9
	Monster 1000 i.e. (Twin Spark)	03→	DCPR8E*	4339			DCR8EIX	3606	0.9
	Multistrada 1000DS, MTS 1000DS (Twin Spark)	03→	DCPR8E*	4339			DCR8EIX	3606	0.9
	Paul Smart 1000 Limited Edition (Twin Spark)	05→06	DCPR8E*	4339			DCR8EIX	3606	0.9
	Monster S2R, Dark 1000 (Twin Spark)	10/05→	DCPR8E*	4339			DCR8EIX	3606	0.9
	Sport 1000 (Twin Spark)	05→	DCPR8E*	4339			DCR8EIX	3606	0.9
	SS 1000 DS (Twin Spark)	03→06	DCPR8E*	4339			DCR8EIX	3606	0.9
	ST3 (Twin Spark)	03→07	CR9EB	6955			CR9EIX	3521	0.6
996	996 B/S, Biposto	98→					DCR9EIX	6650	0.8
	996 S	00→02					DCR9EIX	6650	0.8
	996 SPS	97→02	R2349-10	6839					0.6
	S4R Monster	03→06					DCR9EIX	6650	0.8
	ST4S	00→					DCR9EIX	6650	0.8
998	996 R (‡ Socket Ø <20.5mm)	00→02	CR9EB	6955			CR9EIX	3521	0.6
	998 Biposto, R, S (‡ Socket Ø <20.5mm)	01→	CR9EB	6955			CR9EIX	3521	0.6
	998 Matrix (‡ Socket Ø <20.5mm)	2003	CR9EB	6955			CR9EIX	3521	0.6
	999, R, S (‡ Socket Ø <20.5mm)	02→06	CR9EB	6955			CR9EIX	3521	0.6
	S4RS Monster (‡ Socket Ø <20.5mm)	06→08	CR9EB	6955			CR9EIX	3521	0.6
	S4R Monster (‡ Socket Ø <20.5mm)	07→	CR9EB	6955			CR9EIX	3521	0.6

‡ Early Ducati Testastretta bikes (749, 998, 999 models) can have very little clearance between the plug hex and the cylinder head that may require a thin walled socket, no larger than 20.5mm OD to allow the plug to be fitted.



\* Please note DCPR8E 4339 has a removable terminal nut, whereas DCPR8E 4179 has a fixed terminal nut







CC	MODEL	DATE	STANDARD COPPER CORE	STOCK NUMBER	PLATINUM OR GOLD PALLADIUM	STOCK NUMBER	IRIDIUM	STOCK NUMBER	GAP MM
<b>DUCATI (CONTINUED)</b>									
1078	Hypermotard, S, Evo, Evo SP	07→	DCPR8E*	4339			DCR8EIX	3606	0.9
	Monster 1100, S, Evo, Diesel	09→13	DCPR8E*	4339			DCR8EIX	3606	0.9
	Multistrada 1100, S	06→	DCPR8E*	4339			DCR8EIX	3606	0.9
1098	1098, 1098S / Tricolore	07→	MAR10A-J	4706					0.8
	Streetfighter S	09→	MAR10A-J	4706					0.8
1198	1098R (Incl. Bayliss LE)	08→	MAR10A-J	4706					0.8
	1198, S, SP	09→	MAR10A-J	4706					0.8
	1199 Panigale, R, S, S Tricolore (Incl. Senna)	12→	MAR9A-J	6869					0.8
	Diavel (Incl. AMG, Carbon & Cromo)	11→	MAR9A-J	6869					0.8
	Monster 1200, S	14→	MAR9A-J	6869					0.8
	Multistrada 1200, S (Incl. Pikes Peak, Sport & Touring)	10→12	MAR9A-J	6869					0.8
	Multistrada 1200, S (Incl. Pikes Peak, Sport & Touring) Twin Spark	13→	MAR10A-J	4706					0.8

<b>EBR</b>									
1190	1190RX	04/14→	CR9EKB	2305			CR9EIX	3521	0.8
	1190SX	07/14→	CR9EKB	2305			CR9EIX	3521	0.8

<b>FANTIC</b>									
50	Caballero 50	06→	BR9ES	5722			BR9EIX	3981	0.7
	Gran Turismo, Lei 50, Issimo (all models)		B6HS	4510			BR6HIX	3419	0.5
	Trial 50		B7HS	5110			BR7HIX	7067	0.5
80	Caballero 80		B8EG	3430	B8EGV	5627	BR8EIX	5044	0.5
	Enduro 80		B8EG	3430	B8EGV	5627	BR8EIX	5044	0.5
	RSX 80		B8EG	3430	B8EGV	5627	BR8EIX	5044	0.5
	Section	95→97	BCP7ES	5030	BCP7EVX	7681	BCPR7EIX	5690	0.5
125	Caballero 125		B9EG	3530	B9EGV	5827	BR9EIX	3981	0.5
	Cross 125		B9EG	3530	B9EGV	5827	BR9EIX	3981	0.5
	Professional 125		B6HS	4510			BR6HIX	3419	0.5
	RSX 125		B9EG	3530	B9EGV	5827	BR9EIX	3981	0.5
	Trial 125		B6HS	4510			BR6HIX	3419	0.5
160	TX160		B8EG	3430	B8EGV	5627	BR8EIX	5044	0.5
175	Enduro 175		B8EG	3430	B8EGV	5627	BR8EIX	5044	0.5
200	Trial 200		B6HS	4510			BR6HIX	3419	0.5
240	Trial 240		B6HS	4510			BR6HIX	3419	0.5
250	K Roo	91→94	BL-6H	6921					0.5
	Section	95→97	BCP7ES	5030	BCP7EVX	7681	BCPR7EIX	5690	0.5
	TX250		B8EG	3430	B8EGV	5627	BR8EIX	5044	0.5
260	TX260		B8EG	3430	B8EGV	5627	BR8EIX	5044	0.5
300	Professional 300		B8EG	3430	B8EGV	5627	BR8EIX	5044	0.5
330	TX330		B8EG	3430	B8EGV	5627	BR8EIX	5044	0.5

<b>GAS GAS</b>									
50	Contact, Endurocross		B8HS	5510	B8HVX	2634	BR8HIX	7001	0.5
	EC 50 Boy (12.7mm Thread Reach)		B8HS	5510	B8HVX	2634	BR8HIX	7001	0.5
	EC Boy, Rookie 50 (19mm Thread Reach)	04→	B9ES	2611	B9EVX	7254	BR9EIX	3981	0.6
	SM 50 Supermotard	04→	B9ES	2611	B9EVX	7254	BR9EIX	3981	0.6
	TXT Boy	06→	BPR5ES	7422			BPR5EIX	6597	0.5
65	MC65	06→	BR10ES	4832			BR10EIX	6801	0.7
75	Husqvarna (TM)		B10EG	3630	B10EGV	5927	BR10EIX	6801	0.5
80	TXT 80		BPR5ES	7422			BPR5EIX	6597	0.5
125	Contact T12		BP5ES	6511			BPR5EIX	6597	0.5
	EC 125 Endurocross	97→	B9EG	3530	B9EGV	5827	BR9EIX	3981	0.7
	EC 125 Racing, EC 125 SIX	10→	BR9EG	3230			BR9EIX	3981	0.7
	Enduro 125	02→	BR8EG	3130			BR8EIX	5044	0.5
	Endurocross TT125, Cross TT125				B10EGV	5927	BR10EIX	6801	0.5
	GT12 (Liquid Cooled)		BP5ES	6511			BPR5EIX	6597	0.5
Halley 125	2009	BR9ES	5722			BR9EIX	3981	0.7	



\* Please note DCPR8E 4339 has a removable terminal nut, whereas DCPR8E 4179 has a fixed terminal nut





CC	MODEL	DATE	STANDARD COPPER CORE	STOCK NUMBER	PLATINUM OR GOLD PALLADIUM	STOCK NUMBER	IRIDIUM	STOCK NUMBER	GAP MM
<b>GAS GAS (CONTINUED)</b>									
125	Husqvarna (TM)		B10EG	3630	B10EGV	5927	BR10EIX	6801	0.5
	Pampera 125		BPR5ES	7422			BPR5EIX	6597	0.5
	SM 125 Supermotard		BR9EG	3230			BR9EIX	3981	0.7
	Trial 125		BP5ES	6511			BPR5EIX	6597	0.5
	TX, TXT 125 Ø14mm Plug	99→	BPR5ES	7422			BPR5EIX	6597	0.5
	TX Randonne Ø10mm Plug	11→	CR6HSA	2983			CR6HIX	7274	0.6
	TXT Pro, Racing	11→	BPR5ES	7422			BPR5EIX	6597	0.6
143	Contact T16		BP5ES	6511			BPR5EIX	6597	0.5
160	GT16 (Liquid Cooled)		BP5ES	6511			BPR5EIX	6597	0.5
200	EC 200 Endurocross	99→			B10EGV	5927	BR10EIX	6801	0.6
	EC 200 Endurocross (2002 models)	02→	BR8EG	3130			BR8EIX	5044	0.5
	EC 200 Racing	11→	BR8EG	3130			BR8EIX	5044	0.7
	Trial 200		BP5ES	6511			BPR5EIX	6597	0.5
	TX, TXT 200	99→	BPR5ES	7422			BPR5EIX	6597	0.5
238	Contact JT25		BP5ES	6511			BPR5EIX	6597	0.5
249	TX, TXT 249	99→	BPR5ES	7422			BPR5EIX	6597	0.5
250	Delta 25 GT		BP5ES	6511			BPR5EIX	6597	0.5
	EC 250 Endurocross	97→	B8EG	3430	B8EGV	5627	BR8EIX	5044	0.5
	EC 250 Racing, EC 250 SIX (Incl. Replica) (2-Stroke)	10→	BR8EG	3130			BR8EIX	5044	0.7
	ECF250 4T, ECF250 SIX (4-Stroke)	10→11	CR8E	1275			CR8EIX	4218	0.7
	ECF250 4T, ECF250 SIX (4-Stroke)	12→	CR9E	6263			CR9EIX	3521	0.6
	Enduro 250	02→	BR8EG	3130			BR8EIX	5044	0.5
	Endurocross 250				B10EGV	5927	BR10EIX	6801	0.5
	Husqvarna (TM)		B10EG	3630	B10EGV	5927	BR10EIX	6801	0.5
	Pampera 250		BPR5ES	7422			BPR5EIX	6597	0.5
	Supermotard SM 250		BR8EG	3130			BR8EIX	5044	0.5
	Trial 250 (Air & Liquid Cooled models)		BP5ES	6511			BPR5EIX	6597	0.5
TXT Pro, Raga Replica	03→	BPR5ES	7422			BPR5EIX	6597	0.6	
270	TX, TXT 270		BP5ES	6511			BPR5EIX	6597	0.5
280	Pampera 280		BPR5ES	7422			BPR5EIX	6597	0.5
	Trial 280		BP5ES	6511			BPR5EIX	6597	0.5
	TX, TXT 280		BPR5ES	7422			BPR5EIX	6597	0.5
	TXT Pro, Racing, Raga Replica	11→	BPR5ES	7422			BPR5EIX	6597	0.6
300	EC 300 Endurocross				B10EGV	5927	BR10EIX	6801	0.6
	EC 300 F (4-Stroke)	13→	CR9E	6263			CR9EIX	3521	0.6
	EC 300 Racing, EC 300 SIX (Incl. Replica) (2-Stroke)	10→	BR8EG	3130			BR8EIX	5044	0.7
	Enduro 300	02→	BR8EG	3130			BR8EIX	5044	0.5
	Trial 300		BP5ES	6511			BPR5EIX	6597	0.5
	TXT 300		BPR5ES	7422			BPR5EIX	6597	0.5
TXT Pro, Racing, Raga Replica	11→	BPR5ES	7422			BPR5EIX	6597	0.6	
321	TX, TXT 321	99→	BP5ES	6511			BPR5EIX	6597	0.5
325	Trial Halley PXC 325		B9ES	2611	B9EVX	7254	BR9EIX	3981	0.5
327	Trial 327		BP5ES	6511			BPR5EIX	6597	0.5
330	Delta 32 GT		BP5ES	6511			BPR5EIX	6597	0.5
400	Pampera 400	06→	CR8E	1275			CR8EIX	4218	0.7
	SM 400FSE-4T	02→	CR8E	1275			CR8EIX	4218	0.7
450	EC 450 (4-Stroke)	08→10	CR8E	1275			CR8EIX	4218	0.7
	EC 450 F (4-Stroke)	13→	CR8E	1275			CR8EIX	4218	0.7
	FSE 450	03→	CR8E	1275			CR8EIX	4218	0.7
	Halley 450 R	08→	CR8E	1275			CR8EIX	4218	0.7
	SM 450	04→	CR8E	1275			CR8EIX	4218	0.7
	SM Halley 450	2009	CR8E	1275			CR8EIX	4218	0.7
492	EC 515 FSR	08→10	CR8E	1275			CR8EIX	4218	0.7
	SM 515	08→10	CR8E	1275			CR8EIX	4218	0.7
500	Normada 500		D8EA	2120	DR8EVX	6354	DR8EIX	6681	0.5

<b>GENERIC</b>									
50	Cracker 50	07→	BR7ES	5122			BR7EIX	6664	0.7
	Evolution 50	07→	BR7ES	5122			BR7EIX	6664	0.7
	Ideo 50	07→	BR7ES	5122			BR7EIX	6664	0.7
	Race 50 (19mm Thread Reach)	→11	BR7ES	5122			BR7EIX	6664	0.7
	Race 50 (12.7mm Thread Reach)	11→	BR8HSA	5539			BPR8HIX	6742	0.7



CC	MODEL	DATE	STANDARD COPPER CORE	STOCK NUMBER	PLATINUM OR GOLD PALLADIUM	STOCK NUMBER	IRIDIUM	STOCK NUMBER	GAP MM
<b>GENERIC (CONTINUED)</b>									
50	ROC 50		BR7ES	5122			BR7EIX	6664	0.7
	Trigger SM 50	07→	BR7ES	5122			BR7EIX	6664	0.7
	Trigger SM Competition (Restricted)		BR7ES	5122			BR7EIX	6664	0.7
	Trigger SM Competition (Unrestricted)		BR9ES	5722			BR9EIX	3981	0.7
	Trigger X 50	07→	BR7ES	5122			BR7EIX	6664	0.7
	Trigger X Competition (Restricted)		BR7ES	5122			BR7EIX	6664	0.7
	Trigger X Competition (Unrestricted)		BR9ES	5722			BR9EIX	3981	0.7
	XOR 50	07→	BR7ES	5122			BR7EIX	6664	0.7
	XOR 50 Competition	07→	BR7ES	5122			BR7EIX	6664	0.7
	XOR Stroke 50 (2-Stroke)	07→	BR7ES	5122			BR7EIX	6664	0.7
XOR 50 Williams		BR7ES	5122			BR7EIX	6664	0.7	
125	Soho 125	09→	CR8E	1275			CR8EIX	4218	0.7
	XOR 125	07→	CR7HSA	4549			CR7HIX	7544	0.7
	XOR 125 Williams	08→	CR7HSA	4549			CR7HIX	7544	0.7

<b>GILERA</b>									
50	DNA 50 (2-Stroke catalyst)	00→	BR9ES	5722			BR9EIX	3981	0.7
	DNA 50 GP	02→	BR9ES	5722			BR9EIX	3981	0.6
	GSM 50 (Gilera 2-Stroke)	00→	BR9ES	5722			BR9EIX	3981	0.7
	H@K 50 (Gilera 2-Stroke)	00→	BR9ES	5722			BR9EIX	3981	0.7
	ICE 50 (Gilera 2-Stroke)	01→	BR9ES	5722			BR9EIX	3981	0.7
	Jetrunner	03→	CPR8E	7411			CR8EIX	4218	0.8
	Pure Jet 50 Direct Injection (2-Stroke)	04→	CPR8E	7411			CR8EIX	4218	0.8
	RCR 50 (2-Stroke Derbi engine)	04→	BR9ES	5722			BR9EIX	3981	0.5
	Runner 50 (2-Stroke)	97→	BR9ES	5722			BR9EIX	3981	0.6
	Runner 50 (4-Stroke)	04→	CPR8E	7411			CR8EIX	4218	0.8
	SKP 50	97→	BR9ES	5722			BR9EIX	3981	0.5
	SMT 50	05→	BR9ES	5722			BR9EIX	3981	0.6
	Stalker 50	03→	BR9ES	5722			BR9EIX	3981	0.5
	Storm 50	09/07→	BR9ES	5722			BR9EIX	3981	0.6
125	125T G1,125GR1		B8ES	2411			BR8EIX	5044	0.5
	Cougar 125	00→03	DPR8EA-9	4929			DPR8EIX-9	2202	0.8
	Crono		B10EG	3630	B10EGV	5927	BR10EIX	6801	0.6
	CX 125 Apache		B10EG	3630	B10EGV	5927	BR10EIX	6801	0.6
	DNA 125 (4-Stroke)	01→	CR9EB	6955			CR9EIX	3521	0.7
	Freestyle (2-Stroke)		B10EG	3630	B10EGV	5927	BR10EIX	6801	0.6
	GFR125				B10EGV	5927	BR10EIX	6801	0.6
	Nexus 125	07→	CR8EB	7784			CR8EIX	4218	0.7
	Runner 125 (4-Stroke)		CR9E	6263			CR9EIX	3521	0.6
	Runner FX125 (2-Stroke)	97→	BR9ES	5722			BR9EIX	3981	0.6
	Runner VX 125 (4-Stroke)	01→	CR9EB	6955			CR9EIX	3521	0.7
	RV 125	86→90	B10EG	3630	B10EGV	5927	BR10EIX	6801	0.6
	SC125 (2-Stroke)	06→	BR8ES	5422			BR8EIX	5044	0.7
	SC125 (4-Stroke Yamaha engine)	07→	BR8ES	5422			BR8EIX	5044	0.7
180	DNA 180 (4-Stroke)	01→	CR9EB	6955			CR9EIX	3521	0.7
	Runner FXR180 (2-Stroke)	98→	BR9ES	5722			BR9EIX	3981	0.6
	Runner VXR 180 (4-Stroke)	01→02	CR9EB	6955			CR9EIX	3521	0.7
200	Runner ST 200	08→	CPR8E	7411			CR8EIX	4218	0.7
	Runner VXR 200 (4-Stroke)	02→08	CPR8E	7411			CR8EIX	4218	0.7
250	Nexus 250 SP	06→	CR8EB	7784			CR8EIX	4218	0.6
300	Nexus 300		CR8EKB	4374			CR8EIX	4218	0.7
350	Dakota 350 (4-Stroke)		DPR8EA-9	4929			DPR8EIX-9	2202	0.6
	Saturno 350 (4-Stroke)	90→	DPR8EA-9	4929			DPR8EIX-9	2202	0.6
460	Nexus 500	04→	CR7EKB	4455			CR7EIX	7385	0.8
500	Dakota 500 (4-Stroke)		DPR8EA-9	4929			DPR8EIX-9	2202	0.6
	Fuoco 500	07→	CR7EKB	4455			CR7EIX	7385	0.8
	Saturno 500 (4-Stroke)	90→93	DPR8EA-9	4929			DPR8EIX-9	2202	0.6
560	Nordwest 600 (4-Stroke)	91→95	DPR9EA-9	5329			DPR9EIX-9	5545	0.6
	RC600 (4-Stroke)		DPR8EA-9	4929			DPR8EIX-9	2202	0.6
600	Supersport 600	02→	CR9E	6263			CR9EIX	3521	0.6
839	GP800 (Twin Spark)	08→	CR7EKB	4455			CR7EIX	7385	0.8



CC	MODEL	DATE	STANDARD COPPER CORE	STOCK NUMBER	PLATINUM OR GOLD PALLADIUM	STOCK NUMBER	IRIDIUM	STOCK NUMBER	GAP MM
<b>HARLEY DAVIDSON</b>									
883	XL53C, Sportster 883 (All Models)		DCPR7E	3932	DCPR7EVX	1179	DCPR7EIX	6046	1.0
1000	XL, XLH, XLCH	→78	B-6L	3212					0.7
	XLCR	→79	B-6L	3212					0.7
	XLH, XLS, XLCH	79→	BP6HS	4511			BPR6HIX	4085	1.0
	XR1000	83→85	BPR6ES-11	4824			BPR6EIX-11	3903	1.0
1100	Sportster 1100	86/87	DCPR7E	3932	DCPR7EVX	1179	DCPR7EIX	6046	1.0
1130	VRSC V-Rod, Night Rod, Street Rod	02→	DCPR8E*	4339			DCR8EIX	3606	0.9
1200	FL, FLH, FX, FXE, Super Glide	48→74	BP5S	3011					0.7
	FLH, FLHR, FX, FXE, FXEF, FXS	75→81	BPR5ES-11	4424			BPR5EIX	6597	1.0
	Sportster 1200 (All Models)	88→	DCPR7E	3932	DCPR7EVX	1179	DCPR7EIX	6046	1.0
	XR1200	08→	DCPR9E	2641	DCPR9EVX	6436	DCPR9EIX	2316	0.9
1250	V-Rod Anniversary	11→	DCPR9E	2641	DCPR9EVX	6436	DCPR9EIX	2316	0.6
	VRSC Screamin' Eagle V-Rod	04→	DCPR9E	2641	DCPR9EVX	6436	DCPR9EIX	2316	0.6
1340	All Evolution engines	84→98	BPR5ES-11	4424			BPR5EIX	6597	1.0
	All Shovel Head engines	82→84	ZGR5C	6334					1.0
1450	All 1450cc Models	99→	DCPR7E	3932	DCPR7EVX	1179	DCPR7EIX	6046	1.0
1584	Blackline	11→	DCPR8E*	4339			DCR8EIX	3606	0.9
	FLST Fat Boy	08/06→	DCPR8E*	4339			DCR8EIX	3606	0.9
	Twin Cam 96B Models	06/06→	DCPR8E*	4339			DCR8EIX	3606	0.9

<b>HERO-PUCH</b>									
50	Blinker, Stark, Turbo Sport	94→	BP5ES	6511			BPR5EIX	6597	0.5

<b>HESKETH</b>									
1000	V1000	82→	DR8ES	5423	DR9EVX	6361	DR9EIX	4772	0.7

<b>HONDA</b>									
50	C50		C7HSA	4629			CR7HIX	7544	0.7
	C50C		CR7HS	7223			CR7HIX	7544	0.7
	C50-E Super Cub	84→85	CR7HS	7223			CR7HIX	7544	0.7
	C50L, C50LA-C, C50LA-E	82→88	CR7HS	7223			CR7HIX	7544	0.7
	C50ZZ, C50Z2		CR7HS	7223			CR7HIX	7544	0.7
	CB50J		CR6HS	7023			CR6HIX	7274	0.7
	CR50R-E/F/G		BR9ES	5722			BR9EIX	3981	0.7
	CRF50F	04→	CR6HSA	2983			CR6HIX	7274	0.6
	MB50A-B		BR7HS	4122			BR7HIX	7067	0.7
	MBX50S-D	83→86	BR6ES	4922					0.7
	Melody, Mini Melody, Vision		BPR6HSA	4632			BPR6HIX	4085	0.7
	MT50A-B, MT50S-L	80→93	BR7HS	4122			BR7HIX	7067	0.7
	MTX50S-C	82→85	BR7HS	4122			BR7HIX	7067	0.7
	NC50		BPR6HSA	4632			BPR6HIX	4085	0.7
	ND50M-C		BPR4HS	7823					0.7
	NE50	85→90	BPR6HSA	4632			BPR6HIX	4085	0.7
	NS50MS	81→85	BPR6HSA	4632			BPR6HIX	4085	0.7
	NSC50 Vision	12→	CR7HSA-9	5147			CR7HIX	7544	0.9
	NSC50R	13→	CR7HSA-9	5147			CR7HIX	7544	0.9
	NT50-H	87→94	BPR6HSA	4632			BPR6HIX	4085	0.7
	NU50M-C		BPR5HS	6222					0.7
	NV50MS-D	82→87	BPR5HS	6222					0.7
	NX50M		BPR5HS	6222					0.7
	PA50VC	86→91	BPR6HS	7022			BPR6HIX	4085	0.7
	PC50 (OHC)	→69	C6HSA	3228			CR6HIX	7274	0.6
	PC50K (OHV)	70→	C7HSA	4629			CR7HIX	7544	0.6
	PF50MR2		B6HS	4510			BR6HIX	3419	0.7
	PX50	81→86	BPR5HS	6222					0.7
	PXR50	85→87	BPR4HS	7823					0.7
	QR50-D, QR50-F/R		BPR4HS	7823					0.7



\* Please note DCPR8E 4339 has a removable terminal nut, whereas DCPR8E 4179 has a fixed terminal nut





CC	MODEL	DATE	STANDARD COPPER CORE	STOCK NUMBER	PLATINUM OR GOLD PALLADIUM	STOCK NUMBER	IRIDIUM	STOCK NUMBER	GAP MM
<b>HONDA (CONTINUED)</b>									
50	SA50-J, SA50M/N/P	88→95	BPR6HSA	4632			BPR6HIX	4085	0.7
	SFX50S-T-V-W-X-Y	95→03	BR6HSA	4296			BPR6HIX	4085	0.6
	SGX50-V-W-X-Y (Sky)	97→	BR6HSA	4296			BPR6HIX	4085	0.6
	SH50E-S	84→96	BPR6HS	7022			BPR6HIX	4085	0.7
	SH50T-X-Y Bali	96→03	BR6HSA	4296			BPR6HIX	4085	0.6
	SJ50-P-R-S-V-W	93→99	BR6HSA	4296			BPR6HIX	4085	0.6
	SRX50 Shadow	2003	BR6HSA	4296			BPR6HIX	4085	0.6
	SS50	67→	C6HSA	3228			CR6HIX	7274	0.6
	ST50J DAX, ST50J/K	88→93	CR6HSA	2983			CR6HIX	7274	0.7
	SZX-50 (X8R-S, X8R-X)		BR6HSA	4296			BPR6HIX	4085	0.6
	TLM50		B8ES	2411			BR8EIX	5044	0.7
	X8R S/X	98→03	BR6HSA	4296			BPR6HIX	4085	0.6
	XR50	96→02	CR6HSA	2983			CR6HIX	7274	0.7
	XR50R	03→	CR6HSA	2983			CR6HIX	7274	0.7
	XR50 Motard	05→	CR6HSA	2983			CR6HIX	7274	0.9
	Z50R-D		CR6HS	7023			CR6HIX	7274	0.7
Zoomer	06→	ER8EH-N	5606					0.7	
60	CR60R-G		BR9ES	5722			BR9EIX	3981	0.7
70	C70C/E	82→86	CR7HS	7223			CR7HIX	7544	0.7
	CRF70F	04→	CR6HSA	2983			CR6HIX	7274	0.6
	CZ70ZZ, CZ70Z2, C70/C, CF70/C		CR7HS	7223			CR7HIX	7544	0.7
	XR70V, XR70R		CR6HSA	2983			CR6HIX	7274	0.6
80	CR80R-D/E/F/2F/G/2G		BR9ES	5722			BR9EIX	3981	0.7
	CR80R, CR80R2	02→	BR10EG	3830			BR10EIX	6801	0.5
	CR80RB		B9EG	3530	B9EGV	5827	BR9EIX	3981	0.7
	CR80RH-RS/T/V		BR10EG	3830			BR10EIX	6801	0.5
	MBX80FWD-D	83→86	BR9ES	5722			BR9EIX	3981	0.7
	MTX80R-E	83→86	BR8ES	5422			BR8EIX	5044	0.7
	NH80MD/H-P	82→96	BPR6HS	7022			BPR6HIX	4085	0.7
	XR80R-J		CR7HS	7223			CR7HIX	7544	0.7
85	CR85R/R2	03→06	BR10EG	3830			BR10EIX	6801	0.5
90	C90 ZZ (Step Thru)	79→83	D6HA	6512					0.7
	C90E-C/E/G, C90MF-T (Step Thru)	84→96	CR7HS	7223			CR7HIX	7544	0.7
	C90MT (Step Thru)	96→03	CR6HSA	2983			CR6HIX	7274	0.6
	CM90, CM91		D6HA	6512					0.7
	EZ90-M		BR7HS	4122			BR7HIX	7067	0.7
	S90		D6HA	6512					0.7
	SXR90 Joker	01→	BR6HSA	4296			BPR6HIX	4085	0.6
100	CB100 (N/NA/NB)	78→86	DR8ES-L	2923	DR8EVX	6354	DR8EIX	6681	0.7
	CRF100F	04→	CR7HSA	4549			CR7HIX	7544	0.6
	H100A/B/S2G	80→92	BR7HS	4122			BR7HIX	7067	0.7
	H100SE/J		BR8HS	4322			BR8HIX	7001	0.7
	SCV100 Lead	03→	CR6HSA	2983			CR6HIX	7274	0.6
	SJ100T-V-W (Bali)	97→99	BR6HSA	4296			BPR6HIX	4085	0.6
	XR100 Motard	05→	CR7HSA	4549			CR7HIX	7544	0.9
	XR100R		CR7HSA	4549			CR7HIX	7544	0.6
108	NHX110 Lead (Fi)	08→	CR8EH-9	5666			CR8EHIX-9	3797	0.9
	NSC110 Vision	11→	CPR8EA-9	2306			CR8EIX	4218	0.9
109	AFS110 Wave 110i	12→	CPR6EA-9S	1582					0.9
	CRF110F	12→13	CPR6EA-9S	1582					0.9
125	ANF125 Innova	03→	CPR6EA-9	6899					0.9
	ANF125i Innova	07→	CPR6EA-9	6899					0.9
	CA125S	95→99	CR6HSA	2983			CR6HIX	7274	0.6
	CB92 Ø10mm Plug	59→64	CR7HS	7223			CR7HIX	7544	0.7
	CB92 Ø12mm Plug	59→64	D8HA	7112					0.7
	CB125 (S/S1/J)		D8EA	2120	DR8EVX	6354	DR8EIX	6681	0.7
	CB125RS-D/E	83→86	DR8ES-L	2923	DR8EVX	6354	DR8EIX	6681	0.7
	CB125T (2/B/D-C/D/D-E)	82→88	CR8HS	7423	CR8HVX	7236	CR8HIX	7669	0.7
	CBF125	08→	CPR7EA-9	3901			CR7EIX	7385	0.9
	CBR125R	04→	CR8E	1275			CR8EIX	4218	0.7
	CC125		D8EA	2120	DR8EVX	6354	DR8EIX	6681	0.7
	CG125 C→T	76→96	DR8ES-L	2923	DR8EVX	6354	DR8EIX	6681	0.7
	CG125 W→	97→	DPR8EA-9	4929			DPR8EIX-9	2202	0.9
CH125-D/E	83→87	DPR7EA-9	5129			DPR7EIX-9	7803	0.9	



CC	MODEL	DATE	STANDARD COPPER CORE	STOCK NUMBER	PLATINUM OR GOLD PALLADIUM	STOCK NUMBER	IRIDIUM	STOCK NUMBER	GAP MM
<b>HONDA (CONTINUED)</b>									
<b>125</b>	CLR125 City Fly	98→03	DPR8EA-9	4929			DPR8EIX-9	2202	0.8
	CM125/RB		B9EG	3530	B9EGV	5827	BR9EIX	3981	0.5
	CM125C-C	82→86	CR7HS	7223			CR7HIX	7544	0.7
	CR125R D-S/T/V		BR9EG	3230			BR9EIX	3981	0.5
	CRF125F	14→	CPR6EA-9	6899					0.9
	CT125C	82→85	DR8ES-L	2923	DR8EVX	6354	DR8EIX	6681	0.7
	FES 125 Pantheon (2-Stroke)	98→02	BR8ES	5422			BR8EIX	5044	0.6
	FES 125 Pantheon (4-Stroke)	03→	CR8EH-9	5666			CR8EHIX-9	3797	0.9
	MBX125FE/RW-F/H/L		BR8ES	5422			BR8EIX	5044	0.7
	MSX125	13→	CPR6EA-9	6899					0.9
	MTX125R-D/E/F	83→94	BR8ES	5422			BR8EIX	5044	0.7
	NES125 @	00→03	CR8EH-9	5666			CR8EHIX-9	3797	0.9
	NH125MD-D	83→87	BPR6HS	7022			BPR6HIX	4085	0.7
	NS125 F R/S		BR9ECS	3570					0.7
	NS125FG/FH/RK-RP	86→93	BR7ES	5122			BR7EIX	6664	0.7
	NSR125R-R-S-V	90→03	BR9ECS	3570					0.7
	PCX125	10→	CPR7EA-9	3901			CR7EIX	7385	0.9
	PS125i (PES125i)	07→	CR8EH-9	5666			CR8EHIX-9	3797	0.9
	SES125 Dylan	02→	CR8EH-9	5666			CR8EHIX-9	3797	0.9
	SH125	01→	CR8EH-9	5666			CR8EHIX-9	3797	0.9
	SH125i	09→12	CR8EH-9	5666			CR8EHIX-9	3797	0.9
	SH125i	13→	CPR7EA-9	3901			CR7EIX	7385	0.9
	SH Mode 125	14→	CPR7EA-9	3901			CR7EIX	7385	0.9
	SS125	67→69	D8HA	7112					0.7
	S-Wing 125	07→	CR8EH-9	5666			CR8EHIX-9	3797	0.9
	VT125 /C2 Shadow	98→	CR8EH-9	5666			CR8EHIX-9	3797	0.8
	XL125 (S/SA/SB/RO/RF)	75→87	DR8ES-L	2923	DR8EVX	6354	DR8EIX	6681	0.7
	XL125V Varadero	01→	CR8EH-9	5666			CR8EHIX-9	3797	0.9
	XLR125R	97→99	DPR8EA-9	4929			DPR8EIX-9	2202	0.8
	XR125L	03→	DPR8EA-9	4929			DPR8EIX-9	2202	0.8
<b>150</b>	FES150 Pantheon	05→09	CR8EH-9	5666			CR8EHIX-9	3797	0.9
	CRF150R/R2	07→	CR8EH-9	5666			CR8EHIX-9	3797	0.9
	CRF150R/B	09→	CR8EH-9	5666			CR8EHIX-9	3797	0.9
<b>185</b>	CD185T		CR7HS	7223			CR7HIX	7544	0.7
	XL185S (2/A/B)		DR8ES-L	2923	DR8EVX	6354	DR8EIX	6681	0.7
<b>200</b>	CB200		D8EA	2120	DR8EVX	6354	DR8EIX	6681	0.7
	CD200T (A/B), CM200T (A/B)	80→85	CR7HS	7223			CR7HIX	7544	0.7
	MTX200RW-D	83→86	BR9ES	5722			BR9EIX	3981	0.7
	TLR200R-E/F		DR8ES-L	2923	DR8EVX	6354	DR8EIX	6681	0.7
	XR200 (A/R-C)		DR8ES-L	2923	DR8EVX	6354	DR8EIX	6681	0.7
<b>230</b>	CRF230F	08→	DPR8EA-9	4929			DPR8EIX-9	2202	0.8
<b>250</b>	CB250 K2,K3,K4,G5		B8ES	2411			BR8EIX	5044	0.7
	CB250N A/B/DXB	78→83	DR8ES	5423	DR9EVX	6361	DR9EIX	4772	0.7
	CB250N/T/W	92→	CR6HSA	2983			CR6HIX	7274	0.7
	CB250RS (A/B)	80→83	DR8ES-L	2923	DR8EVX	6354	DR8EIX	6681	0.7
	CB250RSD-C	82→84	DR8ES	5423	DR9EVX	6361	DR9EIX	4772	0.7
	CB250T		DR8ES-L	2923	DR8EVX	6354	DR8EIX	6681	0.7
	CBF250	04→	CR8EH-9S	7750			CR8EHIX-9	3797	0.9
	CBR250R	11→					SIMR8A9	91064	0.9
	CBX250RSE	84→86	DPR8EA-9	4929			DPR8EIX-9	2202	0.9
	CD250U-J/K	88→93	CR6HSA	2983			CR6HIX	7274	0.7
	CH250F/G (Spacy)	85→87	DPR6EA-9	5531					0.9
	CL250S-C	82→84	DR8ES-L	2923	DR8EVX	6354	DR8EIX	6681	0.7
	CM250T	82→84	DR8ES	5423	DR9EVX	6361	DR9EIX	4772	0.7
	CMX250C-T	95→99	CR6HSA	2983			CR6HIX	7274	0.6
	CN250-L/M/N	90→92	DPR6EA-9	5531					0.9
	CR250 R3/R-D/E/F/G/H		BR8EG	3130			BR8EIX	5044	0.5
	CR250R-J		BR9EG	3230			BR9EIX	3981	0.5
	CR250R-S/T/V		BR8EG	3130			BR8EIX	5044	0.5
	CR250R K5	05→	BR9EG-N-8	2689					0.8
	CRF250L	12→					SIMR8A9	91064	0.9
	CRF250M	13→					SIMR8A9	91064	0.9
	CRF250R K5/K6 (19mm Thread Reach)	04→09					RO409B-8	7791	0.7
	CRF250R (26.5mm Thread Reach)	10→					RO451B-8	9356	0.7



CC	MODEL	DATE	STANDARD COPPER CORE	STOCK NUMBER	PLATINUM OR GOLD PALLADIUM	STOCK NUMBER	IRIDIUM	STOCK NUMBER	GAP MM
<b>HONDA (CONTINUED)</b>									
250	CRF250X K5/K6	04→					IMR8C-9H	3653	0.9
	FES250 W-X-Y (Foresight)	97→03	DPR7EA-9	5129			DPR7EIX-9	7803	0.9
	RTL250		D6EA	7512					0.7
	TL250		D7EA	7912					0.7
	TLR250F		DR8ES-L	2923	DR8EVX	6354	DR8EIX	6681	0.7
	VT250F-D	83→87	DPR8EA-9	4929			DPR8EIX-9	2202	0.9
	XL250/K3		D8EA	2120	DR8EVX	6354	DR8EIX	6681	0.7
	XL250R-C	82→84	DR8ES-L	2923	DR8EVX	6354	DR8EIX	6681	0.7
	XL250RE	84→86	DPR9Z	4830					0.7
	XL250S (A/B/Z)	73→82	DR8ES-L	2923	DR8EVX	6354	DR8EIX	6681	0.7
	XR250	→84	D8EA	2120	DR8EVX	6354	DR8EIX	6681	0.7
	XR250RE	84→95	DPR9Z	4830					0.7
	XR250RT/V	96→01	CR9EH-9	7502			CR9EHIX-9	6216	0.9
280	SH300i	07→	LMAR8A-9	4313					0.9
	NSS300 Forza	13→	LMAR8A-9	4313					0.9
350	CB350SG	86→88	DR8ES-L	2923	DR8EVX	6354	DR8EIX	6681	0.7
	XR350R-D		DPR8EA-9	4929			DPR8EIX-9	2202	0.9
	XR350R-E		DPR7EA-9	5129			DPR7EIX-9	7803	0.9
360	CB360G		B8ES	2411			BR8EIX	5044	0.7
400	CB400 (N/NA/NC/T)	78→85	DR8ES	5423	DR9EVX	6361	DR9EIX	4772	0.7
	CB400F1, F2		D8EA	2120	DR8EVX	6354	DR8EIX	6681	0.7
	NS400RF	85→88	BR9ES	5722			BR9EIX	3981	0.7
	VF400F-D	83→86	DPR8EA-9	4929			DPR8EIX-9	2202	0.9
	VFR400 R3-L-P	90→93	ER9EH	5869					0.7
	XR400RT/V		DPR8Z	4730					0.6
450	CB450DX-K	89→92	DR8ES	5423	DR9EVX	6361	DR9EIX	4772	0.7
	CRF450R (19mm Thread Reach)	02→08					IFR8H11	5068	1.1
	CRF450R (26.5mm Thread Reach)	09→					SILMAR9A9S	6213	0.9
	CRF450X	08→					IFR8H11	5068	1.1
480	CR480R-D		B8EG	3430	B8EGV	5627	BR8EIX	5044	0.5
500	CB500F	03/13→	CPR8EA-9	2306			CR8EIX	4218	0.9
	CB500 T	→80	B8ES	2411			BR8EIX	5044	0.7
	CB500-R/T/V/W/X/Y	94→	CR8EH-9	5666			CR8EHIX-9	3797	0.9
	CB500S-W (Half Fairing)	98→	CR8EH-9	5666			CR8EHIX-9	3797	0.9
	CB500X	05/13→	CPR8EA-9	2306			CR8EIX	4218	0.9
	CBF500	04→	CR8EH-9S	7750			CR8EHIX-9	3797	0.9
	CBR500R	03/13→	CPR8EA-9	2306			CR8EIX	4218	0.9
	CR500R-E-S/T/V/W/X	93→	BR8EG	3130			BR8EIX	5044	0.5
	CX500 (Z/A/B/CA/DA/CB/EC)	78→84	DR8ES-L	2923	DR8EVX	6354	DR8EIX	6681	0.7
	CX500 TURBO	82→84					DPR8EIX-9	2202	0.9
	FT500-C	82→84	DR8ES	5423	DR9EVX	6361	DR9EIX	4772	0.7
	GL500 Silverwing	82→84	DR8ES-L	2923	DR8EVX	6354	DR8EIX	6681	0.6
	VF500F 2E/2F	84→87	DPR8EA-9	4929			DPR8EIX-9	2202	0.9
	VT500E-D/F	83→88	DPR8EA-9	4929			DPR8EIX-9	2202	0.9
	XBR500F/H/SJ	85→89	DPR8EA-9	4929			DPR8EIX-9	2202	0.9
	XL500 (SA,RC)	79→84	DR8ES-L	2923	DR8EVX	6354	DR8EIX	6681	0.7
	XR500		DR8ES-L	2923	DR8EVX	6354	DR8EIX	6681	0.7
	550	CB550		DR7ES	3123				
CBX550F (C,2-C)		82→86	DR8ES	5423	DR9EVX	6361	DR9EIX	4772	0.7
600	CB600F (Hornet)	98→06	CR9EH-9	7502			CR9EHIX-9	6216	0.9
	CB600F (Hornet)	07→	CR9EH-9	7502			CR9EHIX-9	6216	0.9
	CB600FA (Hornet with ABS)	08→	CR9EH-9	7502			CR9EHIX-9	6216	0.9
	CBF600 N/S (Incl. ABS)	04→07	CR9EH-9	7502			CR9EHIX-9	6216	0.9
	CBF600 N/S (Incl. ABS)	08→	CR8EH-9	5666			CR8EHIX-9	3797	0.9
	CBR600F-H-J	87→88	DPR8EA-9	4929			DPR8EIX-9	2202	0.9
	CBR600F-K-L	89→90	DPR8EA-9	5329			DPR8EIX-9	5545	0.9
	CBR600F-M-N-P-R-S-T-V-W	91→98	CR9EH-9	7502			CR9EHIX-9	6216	0.9
	CBR600F X-Y	99→00	CR9EH-9	7502			CR9EHIX-9	6216	0.9
	CBR600FI / FSI Injection	01→					IMR9A-9H	6966	0.9
	CBR600F Injection	02→					IMR9C-9H	6777	0.9
	CBR600F Sport	02→					IMR9C-9H	6777	0.9
	CBR600F	03/11→	CR9EH-9	7502			CR9EHIX-9	6216	0.9
	CBR600RR	03/03→08					IMR9C-9HES	5766	0.9
	CBR600RR (Incl. ABS)	09→					IMR9E-9HES	7556	0.9



CC	MODEL	DATE	STANDARD COPPER CORE	STOCK NUMBER	PLATINUM OR GOLD PALLADIUM	STOCK NUMBER	IRIDIUM	STOCK NUMBER	GAP MM
<b>HONDA (CONTINUED)</b>									
600	FJS600 Silverwing (Incl. ABS)	01→	CR8EH-9	5666			CR8EHIX-9	3797	0.9
	NTV600K/M Revere	88→93	DPR8EA-9	4929			DPR8EIX-9	2202	0.9
	VT600C-N-P-R-S-T-V-W	92→01	DPR8EA-9	4929			DPR8EIX-9	2202	0.9
	XL600LM-F	84→86	DPR8EA-9	4929			DPR8EIX-9	2202	0.9
	XL600RD-E	84→86	DPR8EA-9	4929			DPR8EIX-9	2202	0.9
	XL600VH-VX (Transalp)	87→00	DPR8EA-9	4929			DPR8EIX-9	2202	0.9
	XR600R-V		DPR8EA-9	4929			DPR8EIX-9	2202	0.8
650	CB650 Z, 2, B	78→82	DR8ES-L	2923	DR8EVX	6354	DR8EIX	6681	0.7
	CB650 SC-C (Nighthawk)	82→84	DR8ES-L	2923	DR8EVX	6354	DR8EIX	6681	0.7
	CB650FA	14→	CR9EH-9	7502			CR9EHIX-9	6216	0.9
	CBR650FA	14→	CR9EH-9	7502			CR9EHIX-9	6216	0.9
	CX650E-D	83→86	DPR8EA-9	4929			DPR8EIX-9	2202	0.9
	CX650TC-D	83→85	DPR8EA-9	4929			DPR8EIX-9	2202	0.9
	FMX650	05→08	DPR8EA-9	4929			DPR8EIX-9	2202	0.9
	FX650 Vigor	99→03	DPR8EA-9	4929			DPR8EIX-9	2202	0.9
	NT650V-W-X-Y (Deauville)	98→05	DPR8EA-9	4929			DPR8EIX-9	2202	0.9
	NTV650P-T/V	92→97	DPR8EA-9	4929			DPR8EIX-9	2202	0.9
	NX650K-T-V-W-X Dominator	88→03	DPR8EA-9	4929			DPR8EIX-9	2202	0.9
	SLR650	96→99	DPR8EA-9	4929			DPR8EIX-9	2202	0.8
	XL650 /-V (Transalp)	00→07	DPR8EA-9	4929			DPR8EIX-9	2202	0.9
	XR650R, R-2		BKR7E-11	1283					1.0
670	NC700D Integra	12→					IFR6G-11K	1314	1.1
	NC700S/X	12→13					IFR6G-11K	1314	1.1
680	DN-01	08→					SIMR8A9	91064	0.9
	NT700V Deauville (Incl. ABS)	06→	CPR8EA-9	2306			CR8EIX	4218	0.9
	XL700V Transalp (Incl. ABS)	08→	CPR8EA-9	2306			CR8EIX	4218	0.9
745	NC750 Integra	14→					IFR6G-11K	1314	1.1
	NC750S/X	14→					IFR6G-11K	1314	1.1
	NM4 Vultus	14→					IFR6G-11K	1314	1.1
750	CB750 (SOHC)	70→78	D8EA	2120	DR8EVX	6354	DR8EIX	6681	0.7
	CB750 (DOHC)	79→84	DR8ES	5423	DR9EVX	6361	DR9EIX	4772	0.7
	CB Seven Fifty	92→02	DPR8EA-9	4929			DPR8EIX-9	2202	0.9
	CBX750FE	84→86	DPR8EA-9	4929			DPR8EIX-9	2202	0.9
	NR (750)	1992	ER9EH	5869					0.7
	RVF750R-S (RC45)	94→98					CR9EHIX-9	6216	0.9
	VF750 (C/F/S)		DPR8EA-9	4929			DPR8EIX-9	2202	0.9
	VF750CP-S		CR8EH-9	5666			CR8EHIX-9	3797	0.9
	VFR750F G-F-K	86→88	DPR9EA-9	5329			DPR9EIX-9	5545	0.9
	VFR750F L-T-V	89→97	CR8EH-9	5666			CR8EHIX-9	3797	0.9
	VFR750R-K/L (RC30)	88→92	CR9EH-9	7502			CR9EHIX-9	6216	0.9
	VT750C2 VT750 V/W Shadow	97→	DPR8EA-9	4929			DPR8EIX-9	2202	0.8
	VT750DC Shadow	01→	DPR8EA-9	4929			DPR8EIX-9	2202	0.8
	VT750C NEC Shadow Spirit	07→	DPR7EA-9	5129			DPR7EIX-9	7803	0.9
	VT750DC Shadow Spirit	07→	DPR7EA-9	5129			DPR7EIX-9	7803	0.9
	VT750C Shadow Black Spirit	10→	DPR7EA-9	5129			DPR7EIX-9	7803	0.9
	VT750S	10→	DPR7EA-9	5129			DPR7EIX-9	7803	0.9
	XRV750L-V-W-X-Y (Africa Twin)	90→03	DPR8EA-9	4929			DPR8EIX-9	2202	0.9
	800	VFR800F-W Fi X-Y (781cc)	97→01	CR9EH-9	7502			CR9EHIX-9	6216
VFR800F-W K2→ Fi VTEC (Incl. ABS) (782cc)		02→					IMR9B-9H	4888	0.9
VFR800X Crossrunner (782cc)		05/11→					IMR9D-9H	6544	0.9
900	CB900F/F2 (Z, D, 2-D)	79→85	DR8ES	5423	DR9EVX	6361	DR9EIX	4772	0.7
	CB900F Hornet	02→08	CR8EH-9	5666			CR8EHIX-9	3797	0.9
	CBR900RR-N-S Fireblade (893cc)	92→95	CR9EH-9	7502			CR9EHIX-9	6216	0.9
	CBR900RR-T-V-W-X Fireblade (918cc)	96→99	CR9EH-9	7502			CR9EHIX-9	6216	0.9
	CBR900RR Y Fireblade (929cc Injection Model)	00→01					CR9EHI-9	6419	0.9
	CBR900RR K2 Fireblade (954cc '02 model)	02→03					IMR9C-9H	6777	0.9
1000	CB1000F-V		DPR9EA-9	5329			DPR9EIX-9	5545	0.9
	CB1000R/RA	08→					IMR9E-9HES	7556	0.9
	CBF1000 (Incl. ABS)	06→10	CR8EH-9	5666			CR8EHIX-9	3797	0.9
	CBF1000A (Incl. ABS)	10→					IMR8C-9HES	5990	0.9
	CBF1000F (Incl. ABS)	10→					IMR8C-9HES	5990	0.9
	CBR1000FH-FX	87→99	DPR9EA-9	5329			DPR9EIX-9	5545	0.9
	CBR1000RR Fireblade	04→07					IMR9C-9HES	5766	0.9
CBR1000RR Fireblade (Incl. ABS)	08→13					IMR9E-9HES	7556	0.9	





CC	MODEL	DATE	STANDARD COPPER CORE	STOCK NUMBER	PLATINUM OR GOLD PALLADIUM	STOCK NUMBER	IRIDIUM	STOCK NUMBER	GAP MM
<b>HONDA (CONTINUED)</b>									
1000	CBR1000RR Fireblade	14→					IMR9E-9HES	7556	0.9
	CBR1000RR Fireblade SP	14→					IMR9E-9HES	7556	0.9
	GL1000 (Gold Wing)	75→	DR8ES-L	2923	DR8EVX	6354	DR8EIX	6681	0.7
	VF1000F2F Bol d'Or		DPR9EA-9	5329			DPR9EIX-9	5545	0.9
	VF1000FE	84→85	DPR8EA-9	4929			DPR8EIX-9	2202	0.9
	VF1000FF	85→87	DPR9EA-9	5329			DPR9EIX-9	5545	0.9
	VF1000RE-High Speed		DPR9EA-9	5329			DPR9EIX-9	5545	0.9
	VF1000RE-Standard		DPR8EA-9	4929			DPR8EIX-9	2202	0.9
	VF1000RF	85→88	DPR9EA-9	5329			DPR9EIX-9	5545	0.9
	VTR1000 F W-Y (Firestorm)	97→08					DPR9EIX-9	5545	0.9
	VTR1000 SP1	00→01					FR9BI-11	4709	1.1
	VTR1000 SP2	02→					IFR9H11	6588	1.1
	XL1000V-Y (Varadero)	98→02					DPR8EIX-9	2202	0.8
	XL1000V Varadero (Incl. ABS)	03→					IJR8B9	4873	0.9
1050	CBX1000B,C (6-cyl.)	78→84	DR8ES-L	2923	DR8EVX	6354	DR8EIX	6681	0.7
1100	CB1100 (RB,RC,RD) Road Use	82→84	DR8ES	5423	DR9EVX	6361	DR9EIX	4772	0.7
	CB1100SF-Y (X11)	99→					CR8EHIX-9	3797	0.9
	CBR1100 XX V-Y (Super Blackbird)	96→					CR9EHIX-9	6216	0.9
	CBR1100 XX K1 (Super Blackbird)	2001					IMR9A-9H	6966	0.9
	CBR1100 XX K2 (Super Blackbird) 3405930→	02→					IMR9C-9H	6777	0.9
	GL1100B (Gold Wing)	80→	DR8ES-L	2923	DR8EVX	6354	DR8EIX	6681	0.7
	ST1100 ABS/TCS/T/V	95→	CR8EH-9	5666			CR8EHIX-9	3797	0.9
ST1100/L S-Y (Pan European)	89→03	CR8EH-9	5666			CR8EHIX-9	3797	0.9	
1140	CB1100	13→	LMAR8A-9S	6817					0.9
	CB1100EX	14→	LMAR8A-9S	6817					0.9
1200	GL1200-EDE/IE/AE/AF/AH (Gold Wing)	84→88	DPR7EA-9	5129			DPR7EIX-9	7803	0.9
1237	VFR1200F/FD	10→					IMR9E-9HES	7556	0.9
	VFR1200X Crosstourer (Incl. Highlander-T)	04/12→					IMR8E-9HES	95397	0.9
1260	CTX1300	14→	CR8EH-9	5666			CR8EHIX-9	3797	0.9
	ST1300 Pan European (Incl. ABS)	02→	CR7EH-9	3486			CR7EIX	7385	0.9
1300	CB1300 (Incl. ABS)	03→	DPR8EA-9	4929			DPR8EIX-9	2202	0.9
	CB1300S (Incl. ABS)	05→	DPR8EA-9	4929			DPR8EIX-9	2202	0.9
	VTX1300, VT1300CX	03→	DCPR6E	3481					0.9
1500	GL1500 J-L, GL1500 SE M-Y (Gold Wing)	88→01	DPR6EA-9	5531					0.9
	GL1500CT (Gold Wing)	97→00	DPR7EA-9	5129			DPR7EIX-9	7803	0.9
	GL1500C-V-W-(F6C) (Gold Wing)	96→03	DPR7EA-9	5129			DPR7EIX-9	7803	0.9
1800	GL1800 (Gold Wing) (Incl. ABS)	01→	BKR6E-11	2756			BKR6EIX-11	3764	1.1
	GL1800 F6B (Gold Wing Bagger)	14→	BKR6E-11	2756			BKR6EIX-11	3764	1.1
	GL1800 F6C (Gold Wing)	14→	BKR6E-11	2756			BKR6EIX-11	3764	1.1
	VTX1800/C	01→08					IFR6L11	3678	1.1

**HUONIAO**

50	HN50-QT8	07→	C7HSA	4629			CR7HIX	7544	0.7
125	HN125-8	06→	D8EA	2120			DR8EIX	6681	0.7

**HUSABERG**

125	TE125	12→			BR9ECMVX	2434	BR9ECMIX	2707	0.6
250	FE250 (19mm Thread Reach)	2013	CR9EKB	2305			CR9EIX	3521	0.8
	FE250 (26.5mm Thread Reach)	14→					LMAR9AI-10	93188	1.0
	TE250	11→	BR7ES	5122			BR7EIX	6664	0.7
300	TE300	11→	BR7ES	5122			BR7EIX	6664	0.7
350	FE350	13→					LMAR9AI-8	97225	0.8
390	FE390	10→					LKAR8AI-9	6706	0.9
400	FE, FS 400E/C	00→	DCPR8E*	4179			DCR8EIX	3606	0.6
450	FE450	09→					LKAR8AI-9	6706	0.9
470	FC, FX 470/6, E	00→	DCPR8E*	4179			DCR8EIX	3606	0.6
510	FE501	13→					LKAR8AI-9	6706	0.9
550	FC550/4/6	00→	DCPR8E*	4179			DCR8EIX	3606	0.6
565	FE570	09→					LKAR8AI-9	6706	0.9
	FS570	10→					LKAR8AI-9	6706	0.9
650	FE, FS, FX 650 Supermoto	00→	DCPR8E*	4179			DCR8EIX	3606	0.6



CC	MODEL	DATE	STANDARD COPPER CORE	STOCK NUMBER	PLATINUM OR GOLD PALLADIUM	STOCK NUMBER	IRIDIUM	STOCK NUMBER	GAP MM
<b>HUSQVARNA</b>									
50	CR50	11→	BR8ECM	3035	BR8ECMVX	5567	BR8ECMIX	3520	0.7
	Husky Boy Basic	00→04	B8HS	5510	B8HVX	2634	BR8HIX	7001	0.5
	Husky Boy Junior (12.7mm Thread Reach)	99→02	B6HS	4510			BR6HIX	3419	0.5
	Husky Boy Junior (19mm Thread Reach)	03→			B10EGV	5927	BR10EIX	6801	0.6
	Husky Boy Racing	01→	B6HS	4510			BR6HIX	3419	0.5
	Husky Boy Senior (12.7mm Thread Reach)	99→02	B6HS	4510			BR6HIX	3419	0.5
	Husky Boy Senior (19mm Thread Reach)	03→			B10EGV	5927	BR10EIX	6801	0.6
	SM50	02→10	BR9ES	5722			BR9EIX	3981	0.7
	SM50	11→	BR8ECM	3035	BR8ECMVX	5567	BR8ECMIX	3520	0.7
	WRS 50 (Scooter)		B9ES	2611	B9EVX	7254	BR9EIX	3981	0.7
	WSM 50	03→	BR9ES	5722			BR9EIX	3981	0.7
	WXE 50	03→	BR9ES	5722			BR9EIX	3981	0.7
65	CR65	06/11→	BR8ECM	3035	BR8ECMVX	5567	BR8ECMIX	3520	0.6
125	CR125	→91	B9EG	3530	B9EGV	5827	BR9EIX	3981	0.5
	CR125	92→01			B95EGV	2145			0.5
	CR125	02→05	BR9EG	3230			BR9EIX	3981	0.5
	CR125	10→	BR9EG	3230			BR9EIX	3981	0.6
	SM125 /S	98→	BR9EG	3230			BR9EIX	3981	0.5
	SMS4 125	11→	CR8E	1275			CR8EIX	4218	0.7
	TE125 Ø10mm Plug	11→13	CR8E	1275			CR8EIX	4218	0.7
	TE125 Ø14mm Plug	14→			BR9ECMVX	2434	BR9ECMIX	2707	0.6
	WR125	→91	B9EG	3530	B9EGV	5827	BR9EIX	3981	0.5
	WR125	92→			B95EGV	2145			0.5
	WR125	02→	BR9EG	3230			BR9EIX	3981	0.5
	WRE125	94→97	B10EG	3630	B10EGV	5927	BR10EIX	6801	0.5
	WRE125 (Restricted)	98→	BR9EG	3230			BR9EIX	3981	0.5
	WRE125 (Restricted)	09→	BR9EG	3230			BR9EIX	3981	0.6
	WRK125	→89			B10EGV	5927	BR10EIX	6801	0.5
	WSM125	04→	CR7HSA	4549			CR7HIX	7544	0.7
	WXE125	04→	CR7HSA	4549			CR7HIX	7544	0.7
240	WR240		B8EG	3430	B8EGV	5627	BR8EIX	5044	0.5
250	CR250	92→00			B95EGV	2145			0.5
	CR250	01→04	B8EG	3430	B8EGV	5627	BR8EIX	5044	0.5
	CR250	04→	BR8EG	3130			BR8EIX	5044	0.6
	FE250	14→					LMAR9AI-10	93188	1.0
	TC250	02→05	CR8EB	7784			CR8EIX	4218	0.7
	TC250	10→	CR9EB	6955			CR9EIX	3521	0.7
	TE250	02→	CR8EB	7784			CR8EIX	4218	0.7
	TE250 i.e (4-Stroke) Ø10mm Plug	10→12	CR9EB	6955			CR9EIX	3521	0.7
	TE250 (4-Stroke) Ø10mm Plug	2013					CR9EIA-9	6289	0.9
	TE250 (2-Stroke) Ø14mm Plug	14→	BR7ES	5122			BR7EIX	6664	0.7
	TXC250	10→	CR9EB	6955			CR9EIX	3521	0.7
	WR250	92→01			B9EGV	5827	BR9EIX	3981	0.5
	WR250	02→	BR8EG	3130			BR8EIX	5044	0.6
	WRK250	→89			B10EGV	5927	BR10EIX	6801	0.5
260	WRK260	→89			B10EGV	5927	BR10EIX	6801	0.5
300	TE300 (2-Stroke) Ø14mm Plug	14→	BR7ES	5122			BR7EIX	6664	0.7
	WR300	09→	BR8EG	3130			BR8EIX	5044	0.6
302	TE310 (4-Stroke) Ø10mm Plug	09→10	CR8EB	7784			CR8EIX	4218	0.7
	TE310 (4-Stroke) Ø10mm Plug	11→12	CR9EB	6955			CR9EIX	3521	0.7
	TE310 (4-Stroke) Ø10mm Plug	2013					CR9EIA-9	6289	0.9
350	FE350	14→					LMAR9AI-8	97225	0.8
	TE350	90→95	C8E	7471			CR8EIX	4218	0.5
	WR350	92→02			B9EGV	5827	BR9EIX	3981	0.5
360	CR360	92→94			B8EGV	5627	BR8EIX	5044	0.5
	WR360	02→	B8EG	3430	B8EGV	5627	BR8EIX	5044	0.5
390	CR390		B8EG	3430	B8EGV	5627	BR8EIX	5044	0.5
400	SM400	02→05	CR8EB	7784			CR8EIX	4218	0.7
	TE400	01→	CR8EB	7784			CR8EIX	4218	0.7
	WR400		B8EG	3430	B8EGV	5627	BR8EIX	5044	0.5
410	TE410	96→00	C8E	7471			CR8EIX	4218	0.5
	TE410e	99→00	CR7E	4578			CR7EIX	7385	0.6
430	CR430		B8EG	3430	B8EGV	5627	BR8EIX	5044	0.5
	WR430		B8EG	3430	B8EGV	5627	BR8EIX	5044	0.5



CC	MODEL	DATE	STANDARD COPPER CORE	STOCK NUMBER	PLATINUM OR GOLD PALLADIUM	STOCK NUMBER	IRIDIUM	STOCK NUMBER	GAP MM
<b>HUSQVARNA (CONTINUED)</b>									
435	CR435		B8EG	3430	B8EGV	5627	BR8EIX	5044	0.5
450	FE450	14→					LKAR8AI-9	6706	0.9
	SM450R	03→07	CR8EB	7784			CR8EIX	4218	0.7
	SM450RR	08→	CR9EKB	2305			CR9EIX	3521	0.8
	TC449	11→	CR9EKB	2305			CR9EIX	3521	0.8
	TC450	04→	CR8EB	7784			CR8EIX	4218	0.7
	TE449	11→	CR9EKB	2305			CR9EIX	3521	0.8
478	SMR511	11→	CR9EKB	2305			CR9EIX	3521	0.8
	TE511	11→	CR9EKB	2305			CR9EIX	3521	0.8
500	CR500		B8EG	3430	B8EGV	5627	BR8EIX	5044	0.5
	WR500		B8EG	3430	B8EGV	5627	BR8EIX	5044	0.5
	TC500 (Air Cooled)	→5/86	D8EA	2120	DR8EVX	6354	DR8EIX	6681	0.5
510	FE501	14→					LKAR8AI-9	6706	0.9
	SM510 R i.e	10→	CR8EB	7784			CR8EIX	4218	0.7
	TC510 (Liquid Cooled)	06/86→90	C7E	5096			CR7EIX	7385	0.5
	TE510 (Air Cooled)	→5/86	D8EA	2120	DR8EVX	6354	DR8EIX	6681	0.5
	TE510 (Liquid Cooled)	06/86→90	C7E	5096			CR7EIX	7385	0.6
	TE510	04→	CR8EB	7784			CR8EIX	4218	0.7
530	SM530RR	09→	CR9EKB	2305			CR9EIX	3521	0.8
570	SM570	01→04	CR7EB	4663			CR7EIX	7385	0.6
	SM570R	02→04	C7E	5096			CR7EIX	7385	0.6
	SM570R 2004 (Competition Plug)	04→	C8E	7471			CR8EIX	4218	0.5
	TC570	01→02	CR7EB	4663			CR7EIX	7385	0.6
	TE570	01→03	CR7EB	4663			CR7EIX	7385	0.6
600	SMS630 i.e	11→	CR8EB	7784			CR8EIX	4218	0.7
	TE630 i.e	11→	CR8EB	7784			CR8EIX	4218	0.7
610	SM610 S (Std. Plug)	98→05	CR7E	4578			CR7EIX	7385	0.6
	SM610 S (Competition Plug)	03→	C8E	7471			CR8EIX	4218	0.5
	SM610	06→	CPR8E	7411			CR8EIX	4218	0.8
	TC610	91→00	C7E	5096			CR7EIX	7385	0.5
	TE610	91→00	C8E	7471			CR8EIX	4218	0.5
630	SMR630	04→	R0045J-10	7400					1.1
	TR650 Strada (Twin Spark)	10/12→	MAR9A-J	6869					0.8
650	TR650 Terra (Twin Spark)	10/12→	MAR9A-J	6869					0.8
	900	Nuda 900, 900R	12→	LMAR8C-9	93833				0.9

<b>HYMOTO</b>									
50	HY50		C7HSA	4629			CR7HIX	7544	0.7
	MP DB701 2-Stroke		BPM7A	7321					0.7
70	HY70		C7HSA	4629			CR7HIX	7544	0.7
90	HY90		C7HSA	4629			CR7HIX	7544	0.7
110	HY110		C7HSA	4629			CR7HIX	7544	0.7
125	HY125		C7HSA	4629			CR7HIX	7544	0.7
	HY125S		C7HSA	4629			CR7HIX	7544	0.7

<b>HYOSUNG</b>									
50	SD50, Sense50	99→05	BP6HS	4511			BPR6HIX	4085	0.7
	SF50	99→05	BR8HSA	5539			BPR8HIX	6742	0.7
100	EZ100	99→	BP7HS	5111			BPR7HIX	5944	0.7
110	FX110		C6HSA	3228			CR6HIX	7274	0.7
	Midas DLX 110	99→	C6HSA	3228			CR6HIX	7274	0.7
125	Cruise 1 125	96→	D8EA	2120	DR8EVX	6354	DR8EIX	6681	0.7
	Cruise 2 125	99→	CR8EH-9	5666			CR8EHIX-9	3797	0.9
	GA125 Cruise III	00→	CR8EH-9	5666			CR8EHIX-9	3797	0.9
	GF125	99→	CR8EH-9	5666			CR8EHIX-9	3797	0.9
	Grand Prix 125, GP-Plus	99→	DR8EA	7162	DR8EVX	6354	DR8EIX	6681	0.7
	GT125	03→	CR8E	1275			CR8EIX	4218	0.6
	GT125R	06→	CR8E	1275			CR8EIX	4218	0.6
	GV125 Aquila	00→	CR8E	1275			CR8EIX	4218	0.6



CC	MODEL	DATE	STANDARD COPPER CORE	STOCK NUMBER	PLATINUM OR GOLD PALLADIUM	STOCK NUMBER	IRIDIUM	STOCK NUMBER	GAP MM
<b>HYOSUNG (CONTINUED)</b>									
125	GV125C	08→	CR8E	1275			CR8EIX	4218	0.8
	HD125 Hyper	04→06	DR8EA	7162	DR8EVX	6354	DR8EIX	6681	0.8
	MS3-125	07→	CR8E	1275			CR8EIX	4218	0.8
	RT125 (SOHC engine)	04→07	CR8EH-9	5666			CR8EHIX-9	3797	0.9
	RT125D (DOHC engine)	07→	CR8E	1275			CR8EIX	4218	0.8
	RX125 (SOHC engine)	00→07	CR8EH-9	5666			CR8EHIX-9	3797	0.9
	RX125D-E (DOHC engine)	07→	CR8E	1275			CR8EIX	4218	0.8
	RX125D SM (DOHC engine)	07→	CR8E	1275			CR8EIX	4218	0.8
	XRX125 (SOHC engine)	→07	CR8EH-9	5666			CR8EHIX-9	3797	0.8
250	GT250, Comet	03→	CR8E	1275			CR8EIX	4218	0.8
	GT250 EFI, Comet	08→	CR8E	1275			CR8EIX	4218	0.8
	GT250R	06→08	CR8E	1275			CR8EIX	4218	0.8
	GT250R EFI	08→	CR8E	1275			CR8EIX	4218	0.8
	GV250, Aquila	00→	CR8E	1275			CR8EIX	4218	0.8
	GV250 EFI, Aquila	08→	CR8E	1275			CR8EIX	4218	0.8
	MS3-250	07→	CR8E	1275			CR8EIX	4218	0.8
650	GT650, Comet	03→	CR8E	1275			CR8EIX	4218	0.8
	GT650 EFI, Comet	08→	CR8E	1275			CR8EIX	4218	0.8
	GT650N	12→	CR8E	1275			CR8EIX	4218	0.8
	GT650R	06→08	CR8E	1275			CR8EIX	4218	0.8
	GT650R EFI	08→	CR8E	1275			CR8EIX	4218	0.8
	GT650S	06→08	CR8E	1275			CR8EIX	4218	0.8
	GV650, Aquila	06→08	CR8E	1275			CR8EIX	4218	0.8
	GV650 EFI, Aquila	08→	CR8E	1275			CR8EIX	4218	0.8
680	GV700C EFI	10→	CR8E	1275			CR8EIX	4218	0.8

<b>INDIAN</b>									
1850	Dakota 4 - Classic, Highway, 4 si (Carb)		BPR6HS	7022			BPR6HIX	4085	0.6
	Dakota 4 - Classic, Highway, 4 si (Injection)		BPR7HS	6422			BPR7HIX	5944	0.6

<b>ITALJET</b>									
50	Dragster D50 LC (Liquid Cooled)	98→04	BR8HS	4322			BR8HIX	7001	0.6
	Formula 50, 50 A, Formula 50 Williams (Air Cooled)	96→04	BPR6HS	7022			BPR6HIX	4085	0.6
	Formula 50 LC	98→04	BR7HS	4122			BR7HIX	7067	0.6
	Jetset 50 2T	01→04	BR9ES	5722			BR9EIX	3981	0.7
	Torpedo 50/T50	97→04	BPR6HS	7022			BPR6HIX	4085	0.6
	Velocifero 50/V50	96→	BPR6HS	7022			BPR6HIX	4085	0.6
100	Millennium 100	00→04	BR7HS	4122			BR7HIX	7067	0.6
125	Dragster D125LC (2-Stroke Liquid Cooled)	99→04	BR9ES	5722			BR9EIX	3981	0.7
	Formula 125 LC (Liquid Cooled)	97→04	BR7HS	4122			BR7HIX	7067	0.6
	Jetset 125 4T	01→04	CR7E	4578			CR7EIX	7385	0.6
	Millennium (4-Stroke Liquid Cooled)	00→04	CR8E	1275			CR8EIX	4218	0.7
	Torpedo T125 4T		CR8E	1275			CR8EIX	4218	0.6
150	Jetset 150 4T	01→04	CR7E	4578			CR7EIX	7385	0.6
	Millennium 150	00→04	CR7E	4578			CR7EIX	7385	0.6
176	Dragster D180LC (2-Stroke Liquid Cooled)	99→04	BR9ES	5722			BR9EIX	3981	0.7
250	Jupiter 250	01→04	DR8EA	7162	DR8EVX	6354	DR8EIX	6681	0.7

<b>JAWA-CZ</b>									
50	Jawa Economy, Jive, Jazz		B6HS	4510			BR6HIX	3419	0.5
	MJ50, Korado Basic/K'start, Lux		B6HS	4510			BR6HIX	3419	0.5
125	CZ125	→84	B8HS	5510	B8HVX	2634	BR8HIX	7001	0.5
	CZ125 Oilmaster	84→	B8HS	5510	B8HVX	2634	BR8HIX	7001	0.5
175	CZ175	→84	B8HS	5510	B8HVX	2634	BR8HIX	7001	0.5
	CZ175	84→	B8HS	5510	B8HVX	2634	BR8HIX	7001	0.5
180	CZ180	84→	B8HS	5510	B8HVX	2634	BR8HIX	7001	0.5
	CZ250 Single/DeLuxe	→84	B8HS	5510	B8HVX	2634	BR8HIX	7001	0.5
250	CZ250	84→	B8HS	5510	B8HVX	2634	BR8HIX	7001	0.5
	CZ350	→84	B8HS	5510	B8HVX	2634	BR8HIX	7001	0.5
350	CZ350 Classic/Style/Sport/Chopper	84→	B8HS	5510	B8HVX	2634	BR8HIX	7001	0.7
	Jawa 500R	86→90	D8EA	2120	DR8EVX	6354	DR8EIX	6681	0.5

## 2 Wheel



CC	MODEL	DATE	STANDARD COPPER CORE	STOCK NUMBER	PLATINUM OR GOLD PALLADIUM	STOCK NUMBER	IRIDIUM	STOCK NUMBER	GAP MM
<b>JIALING</b>									
50	CJ50F/K		BPR6HS	7022			BPR6HIX	4085	0.7
	JD 50, JL 50	97→00	BPR6HSA	4632			BPR6HIX	4085	0.6
	JH 50	95→	C7HSA	4629			CR7HIX	7544	0.7
	LX50		BPR6HSA	4632			BPR6HIX	4085	0.7
	QM 50		BPR4HS	7823					0.7
	TA 55		BPR6HSA	4632			BPR6HIX	4085	0.7
70	CJ70		CR7HSA	4549			CR7HIX	7544	0.7
	JD 70, JH 70	94→00	C7HSA	4629			CR7HIX	7544	0.7
90	JH 90	94→96	C6HSA	3228			CR6HIX	7274	0.7
	K 90		BP7HS	5111			BPR7HIX	5944	0.7
100	K100		BP7HS	5111			BPR7HIX	5944	0.7
	QM100		BP7HS	5111			BPR7HIX	5944	0.7
125	JH125	94→02	DR8ES-L	2923	DR8EVX	6354	DR8EIX	6681	0.7
	Sanyang Duke 125		DPR7EA-9	5129			DPR7EIX-9	7803	0.9
	Sanyang Wolf 125		DR8ES-L	2923	DR8EVX	6354	DR8EIX	6681	0.7

<b>JIANSHE</b>									
125	JS125Y Tiger	03→	DR8ES	5423	DR9EVX	6361	DR9EIX	4772	0.7

<b>JINLUN</b>									
50	JL50QT	04→	CR7HSA	4549			CR7HIX	7544	0.7
125	Hornet 125	08→	CR7HSA	4549			CR7HIX	7544	0.7
	JL125-11/13	06→	CR7HSA	4549			CR7HIX	7544	0.7
	JL125-C/Y	05→	CR7HSA	4549			CR7HIX	7544	0.7
	JL125T	05→	CR7HSA	4549			CR7HIX	7544	0.7
150	JL150	05→	D8EA	2120	DR8EVX	6354	DR8EIX	6681	0.7
250	JL250	06→	CR7HSA	4549			CR7HIX	7544	0.7

<b>JONWAY</b>									
50	Madness 50		C7HSA	4629			CR7HIX	7544	0.7
125	Adventure	09→	C7HSA	4629			CR7HIX	7544	0.7

<b>KAWASAKI</b>									
50	AE50 A1/A2, AR50 A1/C1-C10	81→97	B6ES	7310					0.7
60	KX60 A, B1-B13	83→97	B9EG	3530	B9EGV	5827	BR9EIX	3981	0.7
	KX60 B14-B17	98→01	BR9EG	3230			BR9EIX	3981	0.5
65	KX65 A1-A6	00→05	BR10EG	3830			BR10EIX	6801	0.7
80	AE80 A, AR80 A	81→82	BP8ES	2912	BP8EVX	2671	BPR8EIX	6684	0.7
	AE80 B, AR80 C1-C8	83→93	BPR8ES	3923			BPR8EIX	6684	0.7
	KX80 A, B	79→80	B8EG	3430	B8EGV	5627	BR8EIX	5044	0.5
	KX80 C-R1	81→91	BR9EG	3230			BR9EIX	3981	0.5
	KX80 R2-R7	92→97	R6252K-105	2741					0.7
	KX80 W1, W2	98→99	R6252K-105	2741					0.7
	KX80 W3	00→	R6252K-105	2741					0.7
85	KX85 A1-A5/B1-B5	01→05	R6252K-105	2741					0.7
	KX85 A6F/B6F	06→13	R6252K-105	2741					0.7
	KX85 II	14→	R6252K-105	2741					0.7
90	KM90A	73→80	B7HS	5110			BR7HIX	7067	0.5
100	G7TA	73→76	B8HS	5510	B8HVX	2634	BR8HIX	7001	0.6
	KC100 C1-C4	79→86	B8ES	2411			BR8EIX	5044	0.7
	KE100 A7-A10, B1-B15	78→99	BR8ES	5422			BR8EIX	5044	0.7
	KH100 A1-A4 (KH100EL)	77→81	B8ES	2411			BR8EIX	5044	0.7
	KH100 G2-G8 (KH100EX)	81→93	B8ES	2411			BR8EIX	5044	0.7
	KM100 A1-A4, A6-A7	76→81	B7HS	5110			BR7HIX	7067	0.6
	KX100 A1-A2, B1	89→91	BR9EG	3230			BR9EIX	3981	0.5
	KX100 B2-B7	92→97	R6252K-105	2741					0.7
	KX100 C1-C3	98→00	R6252K-105	2741					0.7
	KX100 D1-D5, D6F-D9F	01→09	R6252K-105	2741					0.7
110	KLX110 A1/A2	02→	CR6HSA	2983			CR6HIX	7274	0.6
	KSR110	03→	CR6HSA	2983			CR6HIX	7274	0.6



CC	MODEL	DATE	STANDARD COPPER CORE	STOCK NUMBER	PLATINUM OR GOLD PALLADIUM	STOCK NUMBER	IRIDIUM	STOCK NUMBER	GAP MM
<b>KAWASAKI (CONTINUED)</b>									
125	AR125 A1, A1A, A1B, A2-A7, B1-B8	82→94	BR8ES	5422			BR8EIX	5044	0.7
	BN125 A1-A8 (Eliminator)	98→05	CR7E	4578			CR7EIX	7385	0.7
	BN125 A6F-A7F, A9F (Eliminator)	06→	CR7E	4578			CR7EIX	7385	0.7
	D-Tracker	10→	CR7HSA	4549			CR7HIX	7544	0.7
	KDX125 A1/A2,B1/B2	90→94	BR8ES	5422			BR8EIX	5044	0.7
	KE125 A3-A6	76→79	B8HS	5510	B8HVX	2634	BR8HIX	7001	0.6
	KE125 A7-A8	80→81	B8ES	2411			BR8EIX	5044	0.7
	KE125 A9-A12	82→87	B9ES	2611	B9EVX	7254	BR9EIX	3981	0.7
	KH125 A/L/K/K4/K7-K9	82→99	BR8ES	5422			BR8EIX	5044	0.7
	KLX125	10→	CR7HSA	4549			CR7HIX	7544	0.7
	KMX125 A1-A5/B1-B12	86→02	BR8ES	5422			BR8EIX	5044	0.7
	KX125 A1-A5	74→79	B9EG	3530	B9EGV	5827	BR9EIX	3981	0.6
	KX125 A6-A7, B1	80→82					BR9EIX	3981	0.6
	KX125 B2, D-G, H1	83→90	BR10EG	3830			BR10EIX	6801	0.6
	KX125 H2	1991	R6252E-105	2396					0.6
	KX125 J1, J2	92→93	R6252K-105	2741					0.7
	KX125 K1-K5, L1-L4	94→02					BR9EIX	3981	0.6
	KX125 M1	2003					BR9EIX	3981	0.6
	KX125 M2-M3	04→05			R6918B-9	2954			0.8
	KX125 M6, M7F	06→			BR9ECMVX	2434	BR9ECMIX	2707	0.8
175	KDX175 A1-A2	80→81	B9ES	2611	B9EVX	7254	BR9EIX	3981	0.7
	KDX175 A3, B1-B2	82→83					BR9EIX	3981	0.6
	KE175 B1-B3	76→79	B9HS	5810	B9HVX	2254	BR9HIX	5687	0.6
	KE175 D1	1979	B9ES	2611	B9EVX	7254	BR9EIX	3981	0.6
	KE175 D2-D5	80→84	B7ES	1111			BR7EIX	6664	0.7
200	KDX200 E1-E6	89→94	BR9ES	5722			BR9EIX	3981	0.7
	KDX200 H1-H10	95→04	BR8ES	5422			BR8EIX	5044	0.7
	KMX200 A2-A4	88→90	BR8ES	5422			BR8EIX	5044	0.7
	Z200 A1-A4	77→81	B7ES	1111			BR7EIX	6664	0.7
	Z200 A5-A6	82→88	BR7ES	5122			BR7EIX	6664	0.7
220	KDX220 A4-A7	97→00	BR8ES	5422			BR8EIX	5044	0.7
	KDX220 A8-A12	01→05	BR8ES	5422			BR8EIX	5044	0.7
250	A1 (Samurai)	67→71	B8HS	5510	B8HVX	2634	BR8HIX	7001	0.6
	EL250 D4-D5	93→96	CR8HSA	2086	CR8HVX	7236	CR8HIX	7669	0.7
	EL250 F2 (EL252)	97→99	CR8HSA	2086	CR8HVX	7236	CR8HIX	7669	0.7
	ER250 B1-B3 (Z250T)	83→90	DPR9EA-9	5329			DPR9EIX-9	5545	0.9
	EX250 F2-F8 (GPX250), H1-H2 (ZZ-R250)	88→92	CR8HSA	2086	CR8HVX	7236	CR8HIX	7669	0.6
	EX250 F9 (GPX250R)	1995	CR8HSA	2086	CR8HVX	7236	CR8HIX	7669	0.6
	EX250 K8F (Ninja 250R)	08→12	CR8E	1275			CR8EIX	4218	0.7
	F11	72→75	B9HS	5810	B9HVX	2254	BR9HIX	5687	0.6
	KDX250 B2-B4, C1-C3	82→85	BR8ES	5422			BR8EIX	5044	0.7
	KDX250 D1-D5, E1-E2	91→95	BR9ES	5722			BR9EIX	3981	0.7
	KH250 B1-B5	76→82	B9HS	5810	B9HVX	2254	BR9HIX	5687	0.6
	KL250 A1-A4	77→83	B7ES	1111			BR7EIX	6664	0.7
	KL250 C1-C2	83→85	BR8ES	5422			BR8EIX	5044	0.7
	KL250 D2-D11, D16 (KLR250)	85→01	DPR9EA-9	5329			DPR9EIX-9	5545	0.9
	KLX250 B1-B2	81→82	BR7ES	5122			BR7EIX	6664	0.7
	KLX250 D1-D2	93→94	CR8E	1275			CR8EIX	4218	0.7
	KLX250 G1	94→97	CR8E	1275			CR8EIX	4218	0.7
	KLX250 T9F, TAF	09→	CR8E	1275			CR8EIX	4218	0.7
	KR250 C2, C3 (KR1-S)	90→92	BR10ES	4832			BR10EIX	6801	0.7
	KX250 A1-A7, B1	75→82	BR9EG	3230			BR9EIX	3981	0.7
	KX250 C1-C2, D1	83→85	BR8EG	3130			BR8EIX	5044	0.6
	KX250 D2, E1, F1, G1, H1-H2	86→91	BR9EG	3230			BR9EIX	3981	0.7
	KX250 J1-J2	92→93	R6252E-9	4741					0.6
	KX250 K1-K5, L1-L4	94→02					BR8EIX	5044	0.6
	KX250 M1-M2	03→04					BR8EIX	5044	0.6
	KX250 R1, R6F-R7F	05→07			BR8ECMVX	5567	BR8ECMIX	3520	0.6
	KX250 N1-N2 (KX250F 4-Stroke)	04→05	CR8EB	7784			CR8EIX	4218	0.7
	KX250 T6F-XAF (KX250F 4-Stroke)	06→10	CR8E	1275			CR8EIX	4218	0.7
	KX250 YBF Fi (KX250F 4-Stroke)	11→	CPR8EB-9	6607					0.9
	S1 A, B, C (Mach 1)	72→75	B9HS	5810	B9HVX	2254	BR9HIX	5687	0.6
	Z250 A1-A3, B1-B2	79→82	DR8ES	5423	DR9EVX	6361	DR9EIX	4772	0.6
	Z250 C1-C2, G1-G2 (250LTD)	80→83	B7ES	1111			BR7EIX	6664	0.7



CC	MODEL	DATE	STANDARD COPPER CORE	STOCK NUMBER	PLATINUM OR GOLD PALLADIUM	STOCK NUMBER	IRIDIUM	STOCK NUMBER	GAP MM
<b>KAWASAKI (CONTINUED)</b>									
300	KLX300 A2-A8, B1-B3	97→03	CR8E	1275			CR8EIX	4218	0.7
	EX300 (Ninja 300)	13→	CR8E	1275			CR8EIX	4218	0.7
	SC300 (J300)	14→	CR7E	4578			CR7EIX	7385	0.7
305	EX305 A1 (GPz305)	83→84	DPR9EA-9	5329			DPR9EIX-9	5545	0.9
	EX305 B2-B10 (GPz305)	84→96	DPR9EA-9	5329			DPR9EIX-9	5545	0.9
350	A7 (Avenger)	67→71	B9HS	5810	B9HVX	2254	BR9HIX	5687	0.6
	S2, S2A (Mach II)	72→73	B9HS	5810	B9HVX	2254	BR9HIX	5687	0.6
400	KH400 A3-A5	76→78	B8HS	5510	B8HVX	2634	BR8HIX	7001	0.7
	KX400 A	75→76	B9EG	3530	B9EGV	5827	BR9EIX	3981	0.6
	S3, S3A	74→75	B9HS	5810	B9HVX	2254	BR9HIX	5687	0.7
	Z400 D3-D4	76→77	B8ES	2411			BR8EIX	5044	0.7
	Z400 B1-B2, G1	78→79	B7ES	1111			BR7EIX	6664	0.7
	Z400 J1-J2	80→81	D8EA	2120	DR8EVX	6354	DR8EIX	6681	0.7
	Z400 J3	82→83	DR8EA	7162	DR8EVX	6354	DR8EIX	6681	0.7
	ZR400 A (A400F)	83→84	DR8ES	5423	DR9EVX	6361	DR9EIX	4772	0.7
	ZR400 B1	84→85	DPR9EA-9	5329			DPR9EIX-9	5545	0.9
	ZX400 C2-C3	85→87	DPR9EA-9	5329			DPR9EIX-9	5545	0.9
	ZX400 L1-L9 (ZXR400)	91→99	CR9EK	4548			CR9EIX	3521	0.7
	420	KX420A	80→81	BR9EG	3530	B9EGV	5827	BR9EIX	3981
440	Z440 A2-A3 (LTD), C1-C2	80→82	BR7ES	5122			BR7EIX	6664	0.6
	Z440 H1-H2, D4-D6 (LTD Belt Drive)	82→84	BR7ES	5122			BR7EIX	6664	0.6
450	EN450 A1-A5 (Belt Drive)	85→90	DR8ES	5423	DR9EVX	6361	DR9EIX	4772	0.7
	KLX450 A8F	07→	CPR8EB-9	6607					0.9
	KX450 D6F	06→08	CPR8EB-9	6607					0.9
	KX450F	09→	CPR8EB-9	6607					0.9
500	EN500 A1-A3	90→93	DR8ES	5423	DR9EVX	6361	DR9EIX	4772	0.7
	EN500 B2	94→	DR9EA	3437	DR9EVX	6361	DR9EIX	4772	0.7
	EN500 C1	96→99	DR9EA	3437	DR9EVX	6361	DR9EIX	4772	0.7
	ER500 A1-A4, C3, C4P (ER-5)	97→	DR9EA	3437	DR9EVX	6361	DR9EIX	4772	0.7
	ER500 C5P (ER-5)	06→07	DR9EA	3437	DR9EVX	6361	DR9EIX	4772	0.7
	EX500 A1-A6 (GPz500S)	87→93	DR8ES	5423	DR9EVX	6361	DR9EIX	4772	0.7
	EX500 D1-D3, D5-D7 (GPz500S)	94→00	DR9EA	3437	DR9EVX	6361	DR9EIX	4772	0.7
	EX500 E10	02→04	DR9EA	3437	DR9EVX	6361	DR9EIX	4772	0.7
	H1 (Mach III), H1A-H1F, KH500A8	69→76	B9HS-10	3626	B9HVX	2254	BR9HIX	5687	1.0
	KLE500 A1-A13	91→03	DR9EA	3437	DR9EVX	6361	DR9EIX	4772	0.7
	KLE500 B6F, B7F	05→	DR9EA	3437	DR9EVX	6361	DR9EIX	4772	0.7
	KX500 A1-A2	83→84	BR9EG	3230			BR9EIX	3981	0.6
	KX500 B, C, D, E1-E16	85→04	BR8EG	3130			BR8EIX	5044	0.5
	Z500 B1-B4	79→82	D8EA	2120	DR8EVX	6354	DR8EIX	6681	0.7
550	Z550 A1-A3	80→83	DR8ES	5423	DR9EVX	6361	DR9EIX	4772	0.7
	Z550 C1-C2 (LTD)	81→83	D8EA	2120	DR8EVX	6354	DR8EIX	6681	0.7
	Z550 D1 (GPz550)	81→82	D8EA	2120	DR8EVX	6354	DR8EIX	6681	0.7
	Z550 G1-G9 (GT550)	83→01	DR8ES	5423	DR9EVX	6361	DR9EIX	4772	0.7
	Z550 H1-H2 (GPz550), ZR550 A1 (Z550F)	82→85	DR8ES	5423	DR9EVX	6361	DR9EIX	4772	0.7
	ZR550 B2-B6 (Zephyr 550)	91→98	DR9EA	3437	DR9EVX	6361	DR9EIX	4772	0.6
	ZX550 A2-A4 (GPz550)	85→91	DPR9EA-9	5329			DPR9EIX-9	5545	0.9
600	KL600 A1	84→85	D8EA	2120	DR8EVX	6354	DR8EIX	6681	0.7
	KL600 B1-B2, B4	85→90	DPR8EA-9	4929			DPR8EIX-9	2202	0.9
	ZL600 B1 (Eliminator 600)	95→97	DR9EA	3437	DR9EVX	6361	DR9EIX	4772	0.7
	ZX600 A1-A5 (GPZ600R)	85→90	DR9EA	3437	DR9EVX	6361	DR9EIX	4772	0.7
	ZX600 C1-C7 (GPX600R)	88→96	DR9EA	3437	DR9EVX	6361	DR9EIX	4772	0.7
	ZX600 D1-D3, E1-E12 (ZZ-R600)	90→04	CR9E	6263			CR9EIX	3521	0.7
	ZX600 E6F (ZZR600)	06→	CR9E	6263			CR9EIX	3521	0.7
	ZX600 F1-F3 (Ninja ZX6R)	95→97	CR9E	6263			CR9EIX	3521	0.7
	ZX600 G1-G2 (ZX-6R)	98→99	CR9E	6263			CR9EIX	3521	0.7
	ZX600 J1-J2 (ZX-6R)	00→01	CR9E	6263			CR9EIX	3521	0.7
	ZX600 K1H-N6F (Ninja ZX-6RR)	03→06	CR9E	6263			CR9EIX	3521	0.7
	ZX600 P7F-P8F, R9F-RCF (Ninja ZX-6R)	07→12	CR9E	6263			CR9EIX	3521	0.7
	636	ZX636 A1P, B1H-B2H (Ninja ZX-6R)	02→04	CR9E	6263			CR9EIX	3521
ZX636 C1H-C6F (Ninja ZX-6R)		05→06	CR9E	6263			CR9EIX	3521	0.7
ZX636 (Ninja ZX-6R)		13→	CR9E	6263			CR9EIX	3521	0.7
650	EJ650 A1-A2, C1, C5, C6P (W650)	99→05	CR8E	1275			CR8EIX	4218	0.7
	ER650 A7F-C9F (ER-6n)	06→					CR9EIA-9	6289	0.9
	EX650 A7F-A8F, B7F-B8F (ER-6f)	06→					CR9EIA-9	6289	0.9



CC	MODEL	DATE	STANDARD COPPER CORE	STOCK NUMBER	PLATINUM OR GOLD PALLADIUM	STOCK NUMBER	IRIDIUM	STOCK NUMBER	GAP MM
<b>KAWASAKI (CONTINUED)</b>									
<b>650</b>	KL650 A1-A3	87→90	DPR8EA-9	4929			DPR8EIX-9	2202	0.9
	KL650 B1-B3 (Tengai)	89→92	DPR8EA-9	4929			DPR8EIX-9	2202	0.9
	KL650 C1-C5 (KLR 650)	94→02	DPR8EA-9	4929			DPR8EIX-9	2202	0.9
	KLE650 A7F-CBF (Versys)	07→					CR9EIA-9	6289	0.9
	KLX650 C1-C2	93→96	DPR8EA-9	4929			DPR8EIX-9	2202	0.9
	W650 (EJ650 A1-A2, C1, C5, C6P)	99→05	CR8E	1275			CR8EIX	4218	0.7
	Z650 B1-B3, C2-C3 (Custom)	77→79	B7ES	1111			BR7EIX	6664	0.7
	Z650 D2-D3 (SR)	79→82	B7ES	1111			BR7EIX	6664	0.7
	Z650 F1-F4	82→84	B7ES	1111			BR7EIX	6664	0.7
<b>750</b>	H2 (Mach IV), H2A, H2B, H2C	72→75	B9HS-10	3626	B9HVX	2254	BR9HIX	5687	1.0
	VN750 A2-A10 (Vulcan)	86→94	DPR7EA-9	5129			DPR7EIX-9	7803	0.9
	Z750 B1-B2	76→77	B8ES	2411			BR8EIX	5044	0.7
	Z750 E1, H1-H2 (LTD), L1-L4	80→85	BR8ES	5422			BR8EIX	5044	0.7
	Z750 P1-P5 (GT750)	82→92	BR8ES	5422			BR8EIX	5044	0.7
	Z750 P7-P9 (GT750)	91→96	DR8ES	5423	DR9EVX	6361	DR9EIX	4772	0.6
	Z750 R1 (GP)	82→83	BR8ES	5422			BR8EIX	5044	0.7
	Z750 Y1 (LTD Twin)	82→83	BPR6ES	7822			BPR6EIX	6637	0.7
	ZR750 C1-C4 (Zephyr 750)	91→94	DR8ES	5423	DR9EVX	6361	DR9EIX	4772	0.6
	ZR750 C5 (Zephyr 750)	1995	DR9EA	3437	DR9EVX	6361	DR9EIX	4772	0.7
	ZR750 D1 (Zephyr 750)	96→99	DR9EA	3437	DR9EVX	6361	DR9EIX	4772	0.7
	ZR750 F1-F5 (ZR-7), H1-H3 (ZR-7S)	05/99→03	DR9EA	3437	DR9EVX	6361	DR9EIX	4772	0.7
	ZR750 J1H (Z750)	04→	CR9EK	4548			CR9EIX	3521	0.7
	ZR750 J6F (Z750)	05→	CR9EK	4548			CR9EIX	3521	0.7
	ZR750 K6F (Z750s)	06→	CR9EK	4548			CR9EIX	3521	0.7
	ZR750 L7F, L8F, L9F, LAF, M7F, M8F (Z750)	03/07→10	CR9EK	4548			CR9EIX	3521	0.7
	ZR750 N (Z750R)	11→	CR9EK	4548			CR9EIX	3521	0.7
	ZX750 A1-A3, A5 (GPz750)	83→89	BR9ES	5722			BR9EIX	3981	0.7
	ZX750 E1-E2 (Turbo)	83→87					BR9EIX	3981	0.6
	ZX750 F1-F5 (GPX750R)	87→91	DR8ES	5423	DR9EVX	6361	DR9EIX	4772	0.7
	ZX750 G2-G3 (GPz750R)	84→87	D8EA	2120	DR8EVX	6354	DR8EIX	6681	0.7
	ZX750 H1-H2 (ZXR750)	89→91	CR9E	6263			CR9EIX	3521	0.7
	ZX750 J1-J2 (ZXR750)	91→93	CR9E	6263			CR9EIX	3521	0.7
	ZX750 M1-M2 (ZXR750R)	92→94	CR9E	6263			CR9EIX	3521	0.7
	ZX750 L3 (ZXR750)	94→96	CR9E	6263			CR9EIX	3521	0.7
	ZX750 N1 (Ninja ZX-7RR)	96→99	CR9E	6263			CR9EIX	3521	0.7
	ZX750 P1-P7 (Ninja ZX-7R)	96→03	CR9E	6263			CR9EIX	3521	0.7
<b>773</b>	EJ800A (W800)	11→	CR8E	1275			CR8EIX	4218	0.7
<b>800</b>	VN800 A1-3	95→98	CR7E	4578			CR7EIX	7385	0.7
	VN800 B2-B8 (Classic), C1-C2, E1-E2 (Drifter)	96→	CR7E	4578			CR7EIX	7385	0.8
	Z800	14→	CR9EK	4548			CR9EIX	3521	0.7
	Z800E	14→	CR9EK	4548			CR9EIX	3521	0.7
<b>900</b>	VN900 A6F, B7F (Classic)	06→	CPR7EA-9	3901			CR7EIX	7385	0.9
	VN900 C7F (Custom)	07→	CPR7EA-9	3901			CR7EIX	7385	0.9
	Z1, Z1A, Z1B, Z900 A4	73→76	B8ES	2411			BR8EIX	5044	0.7
	ZX900 A1-A8 (GPZ900R)	84→96	DR8ES	5423	DR9EVX	6361	DR9EIX	4772	0.7
	ZX900 B1-B4 (ZX9R Ninja)	94→98	CR9EK	4548			CR9EIX	3521	0.7
	ZX900 C1-C2, E1-E2 (ZX9R Ninja)	98→	CR9EK	4548			CR9EIX	3521	0.7
	ZX900 F1/H/P, F2/H/P (ZX9R)	02→04	CR9EK	4548			CR9EIX	3521	0.7
<b>1000</b>	KLV1000	05→	CR8EK	3478			CR8EIX	4218	0.7
	Z1000 A1-A3, A4 (Mark II), D1 (Z1-R), E1-E2 (ST), H1 (Fi)	77→81	B8ES	2411			BR8EIX	5044	0.7
	Z1000 J1-J3, R1-R2, K1 (LTD)	81→84	B8ES	2411			BR8EIX	5044	0.7
	ZG1000 A1-A7 (1000GTR)	86→94	DR8ES	5423	DR9EVX	6361	DR9EIX	4772	0.7
	ZG1000 A9-A14 (1000GTR)	94→99	DR9EA	3437	DR9EVX	6361	DR9EIX	4772	0.7
	ZL1000 A1 (ZL1000)	87→90	DR8ES	5423	DR9EVX	6361	DR9EIX	4772	0.7
	ZR1000 A1H-A3H (Z1000)	03→05	CR9EK	4548			CR9EIX	3521	0.7
	ZR1000 A6F (Z1000)	06→07	CR9EK	4548			CR9EIX	3521	0.7
	ZR1000 B7F-B8F, C7F-C8F, DAF (Z1000)	07→09					CR9EIA-9	6289	0.9
	ZX1000 A1-A3 (GPZ1000RX)	85→89	DR8ES	5423	DR9EVX	6361	DR9EIX	4772	0.7
	ZX1000 B1-B3 (ZX-10)	88→91	CR9E	6263			CR9EIX	3521	0.7
	ZX1000 C1H (ZX10R)	04→					CR9EIA-9	6289	0.9
	ZX1000 D6F-D7F, E8F, E9F, FAF (Ninja ZX-10R)	06→					CR9EIA-9	6289	0.9
<b>1043</b>	KLZ1000 ACF (Versys 1000)	12→					CR9EIA-9	6289	0.9
	ZR1000 DAF (Z1000)	10→					CR9EIA-9	6289	0.9
	ZX1000G, H (Z1000SX, Tourer)	11→					CR9EIA-9	6289	0.9





CC	MODEL	DATE	STANDARD COPPER CORE	STOCK NUMBER	PLATINUM OR GOLD PALLADIUM	STOCK NUMBER	IRIDIUM	STOCK NUMBER	GAP MM
<b>KAWASAKI (CONTINUED)</b>									
1100	Z1100 A1-A3 (Shaft drive)	81→85	BR8ES	5422			BR8EIX	5044	0.7
	Z1100 B1-B2 (GPz1100)	81→83	BR8ES	5422			BR8EIX	5044	0.7
	ZR1100 A1-A4 (Zephyr) Twin Spark	92→95	CR9E	6263			CR9EIX	3521	0.7
	ZR1100 B1 (Zephyr) Twin Spark	96→97	CR9E	6263			CR9EIX	3521	0.7
	ZR1100 C1-C4 (ZRX 1100)	97→01	CR9EK	4548			CR9EIX	3521	0.7
	ZX1100 A1-A3 (GPz1100)	83→88	BR8ES	5422			BR8EIX	5044	0.7
	ZX1100 C1-C3, D1-D9 (ZZ-R1100)	90→01	CR9E	6263			CR9EIX	3521	0.7
	ZX1100 E1-E5 (GPZ1100)	95→99	CR9EK	4548			CR9EIX	3521	0.7
ZX1100 F1 (GPZ1100 ABS)	96→98	CR9EK	4548			CR9EIX	3521	0.7	
1200	ZR1200 A1-A4H, B1-B3P (ZRX 1200)	01→05	CR9EK	4548			CR9EIX	3521	0.7
	ZR1200 A6F (ZRX1200R)	05→	CR9EK	4548			CR9EIX	3521	0.7
	ZX1200 A1-A2 (ZX-12R)	99→01			CR9EKPA	7785	CR9EIX	3521	0.8
	ZX1200 B1H-B3H (Ninja ZX-12R)	02→07			CR9EKPA	7785	CR9EIX	3521	0.8
	ZX1200-C1H/C2H (ZZ-R1200)	02→04	CR9E	6263			CR9EIX	3521	0.7
1300	Z1300 A1	78→79	BR8ES	5422			BR8EIX	5044	0.7
	Z1300 A2-A5	80→83	BPR6ES	7822			BPR6EIX	6637	0.7
	ZG1300 A1-A3 Fuel Injection	84→90	BPR6ES	7822			BPR6EIX	6637	0.7
1352	ZG1400 A8F-CCF (1400GTR)	07→					CR9EIA-9	6289	0.9
	ZX1400 A6F-D8F (ZZ-R1400)	06→11					CR9EIA-9	6289	0.9
1441	ZX1400 ECF (ZZ-R1400)	12→					CR9EIA-9	6289	0.9
1500	VN1500 B2-B6, C1-C2	88→95	DPR7EA-9	5129			DPR7EIX-9	7803	0.9
	VN1500 D1-D2 (VN1500 Classic)	96→98	DPR5EA-9	2887					0.9
	VN1500 E1-E2 (Classic)	98→99	DPR5EA-9	2887					0.8
	VN1500 G2 (Nomad)	1999	DPR5EA-9	2887					0.8
	VN1500 J1-J2 Drifter	99→00	DPR6EA-9	5531					0.9
	VN1500 L1-L4 Fi (Classic Tourer Fi)	99→03	DPR6EA-9	5531					0.9
	VN1500 N1-N3H	99→04	DPR6EA-9	5531					0.9
	VN1500 P1H-P2H (Mean Streak)	01→04	DPR6EA-9	5531					0.9
	VN1500 R1-R2H (Drifter)	01→04	DPR6EA-9	5531					0.9
1552	VN1600 A1H-A7F Classic	03→07	DPR6EA-9	5531					0.9
	VN1600 B1H-B7F Mean Streak	04→07	DPR6EA-9	5531					0.9
	VN1600 D1H-D8F Classic Tourer	05→08	DPR6EA-9	5531					0.9
1700	VN1700 Classic, Classic Tourer, Voyager	09→					ILZKAR7B11	1654	1.1
2050	VN2000 A1H-A6F	04→					IZFR6F11	4095	1.1

<b>KENOS</b>									
125	125-12B	12/07→	CR8E	1275			CR8EIX	4218	0.7

<b>KEEWAY</b>									
50	Hurricane (2-Stroke) Ø14mm Plug	08→	BPR7HS	6422			BPR7HIX	5944	0.6
	Hurricane (4-Stroke) Ø10mm Plug	08→	C7HSA	4629			CR7HIX	7544	0.7
	Matrix Sport 50	06→	BPR7HS	6422			BPR7HIX	5944	0.6
125	ARN 125	08→	DPR7EA-9	5129			DPR7EIX-9	7803	0.9
	Hacker 125	08→	DPR7EA-9	5129			DPR7EIX-9	7803	0.9
	Speed 125	08→	DPR7EA-9	5129			DPR7EIX-9	7803	0.9
	Superlight 125	08→	DPR7EA-9	5129			DPR7EIX-9	7803	0.9
250	Cruiser	06→	D7EA	7912					0.7

<b>KREIDLER</b>									
50	Florett (RM, RMS, RMC), GS50		B7HS	5110			BR7HIX	7067	0.5
	MC-5-50		B7HS	5110			BR7HIX	7067	0.5



CC	MODEL	DATE	STANDARD COPPER CORE	STOCK NUMBER	PLATINUM OR GOLD PALLADIUM	STOCK NUMBER	IRIDIUM	STOCK NUMBER	GAP MM
<b>KTM</b>									
50	50 Pro-Junior, Senior (12.7mm Thread Reach)	2000	B8HS	5510	B8HVX	2634	BR8HIX	7001	0.6
	50 Adventure Mini, Junior & Senior (12.7mm Thread Reach)	→02	BR8HS	4322			BR8HIX	7001	0.6
	50 Adventure Mini, Junior & Senior (19mm Thread Reach)	03→08	BR8ECM	3035	BR8ECMVX	5567	BR8ECMIX	3520	0.6
	50 SX Junior/Senior LC (19mm Thread Reach)	2002	BR10EG	3830			BR10EIX	6801	0.6
	50 SX Pro-Junior LC (Beta engine)	2003	BR8ECM	3035	BR8ECMVX	5567	BR8ECMIX	3520	0.6
	50 SX	09→	LR8B	6208	CR8HVX	7236	CR8HIX	7669	0.6
60	60 SX	98→					R7436-10	4900	0.6
65	65 SX	→03	BR10EG	3830			BR10EIX	6801	0.6
	65 SX Beta engine (19mm Thread Reach)	03→07	BR8ECM	3035	BR8ECMVX	5567	BR8ECMIX	3520	0.6
	65 SX KTM engine (12.7mm Thread Reach)	08/08→	LR8B	6208	CR8HVX	7236	CR8HIX	7669	0.6
80	Moto-X models with 1/2", 12.7mm Thread Reach	→85			B8HVX	2634	BR8HIX	7001	0.6
	80 MX	1986	B10EG	3630	B10EGV	5927	BR10EIX	6801	0.6
85	85 SX	03→06			BR10ECMVX	2457	BR10ECMIX	3006	0.7
	85 SX	07→			BR9ECMVX	2434	BR9ECMIX	2707	0.6
125	Moto-X models with 1/2", 12.7mm Thread Reach (Not GP)	→85			B8HVX	2634	BR8HIX	7001	0.6
	125 Duke	11→	LKAR8A-9	4786			LKAR8AI-9	6706	0.9
	125 SX	96→97			B10EGV	5927	BR10EIX	6801	0.6
	125 EXC, EGS, SX	98→00			R6918B-8	4492			0.8
	125 EXC, SX	01→07					BR9EIX	3981	0.6
	125 EXC, EXC, SX, Six Days	08→			BR9ECMVX	2434	BR9ECMIX	2707	0.6
	125 GS	1986	B10EG	3630	B10EGV	5927	BR10EIX	6801	0.6
	125 LC/LCPA	→85	B9EG	3530	B9EGV	5827	BR9EIX	3981	0.6
	125 MX	1986	B10EG	3630	B10EGV	5927	BR10EIX	6801	0.6
	125 MX	87/88	B9EG	3530	B9EGV	5827	BR9EIX	3981	0.6
	125 MX	89/90			B10EVX	7335	BR10EIX	6801	0.6
	125 SM		BR8HS	4322			BR8HIX	7001	0.6
	LC125, LC 2 125 (Duke 125)	96→98	BR9ES	5722			BR9EIX	3981	0.6
	SX 125 (2001)	01→			BR9ECMVX	2434	BR9ECMIX	2707	0.6
144	144 SX	08→			BR9ECMVX	2434	BR9ECMIX	2707	0.6
	150 SX	09→			BR9ECMVX	2434	BR9ECMIX	2707	0.6
175	Moto-X models with 1/2", 12.7mm Thread Reach	→85			B8HVX	2634	BR8HIX	7001	0.6
200	200 Duke	11→	LKAR8A-9	4786			LKAR8AI-9	6706	0.9
	200 EGS, EXC, MXC	98→	BR8EG	3130			BR8EIX	5044	0.6
	200 EXC, SX	03→					BR9EIX	3981	0.6
	200 EXC	06→	BR8EG	3130			BR8EIX	5044	0.6
	200 XC, XC-W	07→	BR8EG	3130			BR8EIX	5044	0.6
250	Moto-X models with 1/2", 12.7mm Thread Reach	→85			B8HVX	2634	BR8HIX	7001	0.6
	250 EXC (2-Stroke) Ø14mm Plug	97→02	BR8ECM	3035	BR8ECMVX	5567	BR8ECMIX	3520	0.6
	250 EXC (2-Stroke) Ø14mm Plug	03→	BR7ES	5122			BR7EIX	6664	0.7
	250 EXC Racing (4-Stroke) Ø10mm Plug	01→02	CR8EK	3478			CR8EIX	4218	0.7
	250 EXC Racing (4-Stroke) Ø12mm Plug	03→06	DCPR8E*	4179			DCR8EIX	3606	0.6
	250 EXC-F Incl. Fi (4-Stroke) Ø10mm Plug (19mm Thread Reach)	07→13	CR9EKB	2305			CR9EIX	3521	0.8
	250 EXC-F Incl. Fi (4-Stroke) Ø10mm Plug (26.5mm Thread Reach)	14→					LMAR9AI-10	93188	1.0
	250 GS	1986	B10EG	3630	B10EGV	5927	BR10EIX	6801	0.6
	250 LCPA	→85	B10EG	3630	B10EGV	5927	BR10EIX	6801	0.6
	250 MC/GS	→85	B9EG	3530	B9EGV	5827	BR9EIX	3981	0.6
	250 MX	1986	B10EG	3630	B10EGV	5927	BR10EIX	6801	0.6
	250 MX	87/88	B9EG	3530	B9EGV	5827	BR9EIX	3981	0.6
	250 MX	89/90			B9EVX	7254	BR9EIX	3981	0.6
	250 SX	97→	BR8ECM	3035	BR8ECMVX	5567	BR8ECMIX	3520	0.6
	250 SX (2-Stroke) Ø14mm Plug	03→05	BR8ECM	3035	BR8ECMVX	5567	BR8ECMIX	3520	0.6
	250 SX	06→	BR8ECM	3035	BR8ECMVX	5567	BR8ECMIX	3520	0.6
	250 SX-F (4-Stroke) Ø10mm Plug (19mm Thread Reach)	06→12	CR9EKB	2305			CR9EIX	3521	0.8
	250 SX-F (4-Stroke) Ø10mm Plug (26.5mm Thread Reach)	13→					LMAR9AI-8	97225	0.8
Freeride 250	13→	BR7ES	5122			BR7EIX	6664	0.7	
300	300 EXC	97→02	BR8ECM	3035	BR8ECMVX	5567	BR8ECMIX	3520	0.6
	300 EXC	03→06	BR7ES	5122			BR7EIX	6664	0.7
	300 EXC	07→	BR7ES	5122			BR7EIX	6664	0.7
	300 GS	1986	B10EG	3630	B10EGV	5927	BR10EIX	6801	0.6
	300 MXC	97→02	BR8ECM	3035	BR8ECMVX	5567	BR8ECMIX	3520	0.6
	300 MXC	03→	BR7ES	5122			BR7EIX	6664	0.7
	300 XC	06→	BR7ES	5122			BR7EIX	6664	0.7



CC	MODEL	DATE	STANDARD COPPER CORE	STOCK NUMBER	PLATINUM OR GOLD PALLADIUM	STOCK NUMBER	IRIDIUM	STOCK NUMBER	GAP MM
<b>KTM (CONTINUED)</b>									
350	350 EXC-F, Six Days (4-Stroke)	11→					LMAR9AI-8	97225	0.8
	350 MX	87→95	B9EG	3530	B9EGV	5827	BR9EIX	3981	0.6
	350 SX-F	10→					LMAR9AI-8	97225	0.8
	Freeride 350	12→					LMAR9AI-10	93188	1.0
380	380 EXC, 380 SX		BR8ECM	3035	BR8ECMVX	5567	BR8ECMIX	3520	0.6
390	390 GS	→85	B9EG	3530	B9EGV	5827	BR9EIX	3981	0.6
400	Moto-X models with 1/2", 12.7mm Thread Reach	→85	B9HS	5810	B9HVX	2254	BR9HIX	5687	0.7
	400 EGS-E	97→	DR8EA	7162	DR8EVX	6354	DR8EIX	6681	0.6
	400 EXC, MXC, SX Ø10mm Plug	99→02	CR8EK	3478			CR8EIX	4218	0.7
	400 EXC Ø12mm Plug (19mm Thread Reach)	02→08	DCPR8E*	4179			DCR8EIX	3606	0.6
	400 EXC Ø12mm Plug (26.5mm Thread Reach)	09→					LKAR8AI-9	6706	0.9
	400 LSE		DR8EA	7162	DR8EVX	6354	DR8EIX	6681	0.6
	LC4 400		DR8EA	7162	DR8EVX	6354	DR8EIX	6681	0.7
420	420 AC	→85	B9EG	3530	B9EGV	5827	BR9EIX	3981	0.6
450	450 EXC Racing, SX Racing (4-Stroke)	03→	DCPR8E*	4179			DCR8EIX	3606	0.6
	450 EXC-R (26.5mm Thread Reach)	2008	LKAR8A-9	4786			LKAR8AI-9	6706	0.9
	450 EXC-R, Six Days (26.5mm Thread Reach)	09→					LKAR8AI-9	6706	0.9
	450 RALLY Replica	14→	CR9EKB	2305			CR9EIX	3521	0.8
	450 SMR Ø12mm Plug	04→07	DCPR8E*	4179			DCR8EIX	3606	0.6
	450 SMR Ø10mm Plug	08→	CR9EKB	2305			CR9EIX	3521	0.8
	450 SX-F	07→	CR9EKB	2305			CR9EIX	3521	0.8
480	505 SX-F	07→	CR9EKB	2305			CR9EIX	3521	0.8
495	495 AC	→85	B9EG	3530	B9EGV	5827	BR9EIX	3981	0.6
500	500 MX, 500 MXC	1986	B9EG	3530	B9EGV	5827	BR9EIX	3981	0.6
	500 MX	87/88	B9EG	3530	B9EGV	5827	BR9EIX	3981	0.6
	500 MX	89/90			B9EVX	7254	BR9EIX	3981	0.6
510	500 EXC, Six Days	12→					LKAR8AI-9	6706	0.9
	530 EXC-R	07→08	LKAR8A-9	4786			LKAR8AI-9	6706	0.9
	530 EXC-R	09→					LKAR8AI-9	6706	0.9
520	520 EXC, MXC, SX	99→	CR8EK	3478			CR8EIX	4218	0.7
525	525 EXC Racing, MXC, SX	03→	DCPR8E*	4179			DCR8EIX	3606	0.6
560	560-4S	→85	D8EA	2120	DR8EVX	6354	DR8EIX	6681	0.6
600	600-C4S	→85	D8EA	2120	DR8EVX	6354	DR8EIX	6681	0.6
	600 4S	86→88	D8EA	2120	DR8EVX	6354	DR8EIX	6681	0.6
	600 EGS-E		DR8EA	7162	DR8EVX	6354	DR8EIX	6681	0.6
	LC4 640		DR8EA	7162	DR8EVX	6354	DR8EIX	6681	0.7
620	620 Adventure, 620LSE, 620 Duke	97→	DR8EA	7162	DR8EVX	6354	DR8EIX	6681	0.6
625	625 Enduro, Super Moto	02→	DPR8EA-9	4929			DPR8EIX-9	2202	0.9
	625 SMC	03→06	DCPR8E*	4179			DCR8EIX	3606	0.6
	625 SXC	03→	DCPR8E*	4179			DCR8EIX	3606	0.6
	640 LC4, Duke, Duke II	03→	DCPR8E*	4179			DCR8EIX	3606	0.6
	640 Super Moto	02→	DCPR8E*	4179			DCR8EIX	3606	0.6
	R640 Adventure	03→	DCPR8E*	4179			DCR8EIX	3606	0.6
654	660 SMC	03→	DCPR8E*	4179			DCR8EIX	3606	0.6
	690 Duke	07→11					LKAR8AI-9	6706	0.9
	690 Duke R	10→					LKAR8AI-9	6706	0.9
	690 Enduro R	09→11					LKAR8AI-9	6706	0.9
	690 LC4 Supermoto / Prestige	07→					LKAR8AI-9	6706	0.9
	690 SMC	08→					LKAR8AI-9	6706	0.9
	690 SM R	08→					LKAR8AI-9	6706	0.9
690	690 Duke (Twin spark) Ø10mm Plug Ø12mm Plug	12→	LMAR7A-9	4908			LKAR8BI9	1553	0.9
	690 Enduro R	12→					LKAR8AI-9	6706	0.9
950	950 Adventure / Rally	03→	CR8EK	3478			CR8EIX	4218	0.7
	950 Supermoto / Super Enduro R	05→	CR8EK	3478			CR8EIX	4218	0.7
1000	990 Adventure / Supermoto	06→08	DCPR8E*	4339			DCR8EIX	3606	0.9
	990 Adventure / R	09→					LKAR8BI9	1553	0.9
	990 SM-R	09→					KR8DI	4742	0.8
	990 SM-R	12→					LKAR8BI9	1553	0.9
	990 SM-T	09→10					KR8DI	4742	0.8
	990 SM-T ABS	11→					LKAR8BI9	1553	0.9



\* Please note DCPR8E 4339 has a removable terminal nut, whereas DCPR8E 4179 has a fixed terminal nut





CC	MODEL	DATE	STANDARD COPPER CORE	STOCK NUMBER	PLATINUM OR GOLD PALLADIUM	STOCK NUMBER	IRIDIUM	STOCK NUMBER	GAP MM
<b>KTM (CONTINUED)</b>									
1000	990 Super Duke	04→06	DCPR8E*	4339			DCR8EIX	3606	0.9
	990 Super Duke (19mm Thread Reach)	07→11					KR8DI	4742	0.8
	990 Super Duke R (19mm Thread Reach)	07					KR8DI	4742	0.8
	990 Super Duke R (26.5mm Thread Reach)	08→11					LKAR8AI-9	6706	0.9
	990 Super Duke R (19mm Thread Reach)	12→					KR8DI	4742	0.8
1148	1190 RC8	08→10					LKAR9BI9	6205	0.9
1195	1190 Adventure, R (Twin spark)	13→	LMAR7A-9	4908			LKAR9BI9	6205	0.9
	RC8R (Incl. Track model)	09→11					LKAR9BI9	6205	0.9
	RC8R (Incl. Track model) Twin spark	11→	LMAR7A-9	4908			LKAR9BI9	6205	0.9
1301	1290 Super Duke R (Twin spark)	14→	LMAR7A-9	4908			LKAR9BI9	6205	0.9

<b>KYMCO</b>									
50	Agility 50	05→	CR7HSA	4549			CR7HIX	7544	0.7
	Cobra 50		BR8HSA	5539			BPR8HIX	6742	0.6
	Fever 50		BR8HSA	5539			BPR8HIX	6742	0.6
	Filly 50	98→	CR7HSA	4549			CR7HIX	7544	0.7
	Filly LX 50	99→	CR7HSA	4549			CR7HIX	7544	0.7
	Like 50 (2-Stroke)	10→	BR8HSA	5539			BPR8HIX	6742	0.6
	People 50	04→06	BR8HSA	5539			BPR8HIX	6742	0.6
	Scout 50	97→	BR8HSA	5539			BPR8HIX	6742	0.6
	Spacer 50		BR8HSA	5539			BPR8HIX	6742	0.6
	Super 8 50 (2-Stroke) Ø14mm Plug	07→	BR8HSA	5539			BPR8HIX	6742	0.6
	Super 8 50 (4-Stroke) Ø10mm Plug	11→	CR7HSA	4549			CR7HIX	7544	0.7
	Super 9 50 (Liquid Cooled)	99→	BR8HSA	5539			BPR8HIX	6742	0.6
	Super 9 50 (Air Cooled)	01→	BR8HSA	5539			BPR8HIX	6742	0.6
	Super 9 50 (Air Cooled) (Euro 2)	01→	BR8HSA	5539			BPR8HIX	6742	0.6
	Vitality 50 (2-Stroke)	04→	BR8HSA	5539			BPR8HIX	6742	0.6
	Vitality 50 (4-Stroke)		CR7HSA	4549			CR7HIX	7544	0.7
	Yup 50	00→	BR8HSA	5539			BPR8HIX	6742	0.6
ZX 50		BR8HSA	5539			BPR8HIX	6742	0.6	
100	Cobra 100	99→	BR6HSA	4296			BPR6HIX	4085	0.7
125	Agility 125	05→	CR7HSA	4549			CR7HIX	7544	0.7
	CK125	05→	DR8EA	7162	DR8EVX	6354	DR8EIX	6681	0.7
	Cruiser 125	03→	CR8E	1275			CR8EIX	4218	0.7
	Downtown 125i	13→	CR7E	4578			CR7EIX	7385	0.7
	Ego 125		DPR7EA-9	5129			DPR7EIX-9	7803	0.9
	Heroism 125		C7HSA	4629			CR7HIX	7544	0.7
	Hipster 125 (2 Valve)	01→	DR8EA	7162	DR8EVX	6354	DR8EIX	6681	0.7
	Hipster 125 (4 Valve)		CR8E	1275			CR8EIX	4218	0.7
	Hipster 125 (4 Valve) (Euro 2)		CR8E	1275			CR8EIX	4218	0.7
	Miler 125 (Grand Dink)	03→	DPR7EA-9	5129			DPR7EIX-9	7803	0.9
	Movie XL125	02→	CR7HSA	4549			CR7HIX	7544	0.7
	People One 125i	13→	CR7E	4578			CR7EIX	7385	0.7
	People S 125 (Euro 3)	05→	CR7HSA	4549			CR7HIX	7544	0.7
	Pulsar 125		DR8EA	7162	DR8EVX	6354	DR8EIX	6681	0.7
	Sector 125		DR8EA	7162	DR8EVX	6354	DR8EIX	6681	0.7
	Spacer 125 (Liquid Cooled)		DPR7EA-9	5129			DPR7EIX-9	7803	0.9
	Stryker 125		DR8EA	7162	DR8EVX	6354	DR8EIX	6681	0.7
	Super 8 125 Ø12mm Plug	07→	DPR7EA-9	5129			DPR7EIX-9	7803	0.9
	Super 8 125 (4-Stroke) Ø10mm Plug		CR7HSA	4549			CR7HIX	7544	0.7
Vivio 125		CR7HSA	4549			CR7HIX	7544	0.7	
Yager GT125	08→	DPR7EA-9	5129			DPR7EIX-9	7803	0.9	
Zing 125	97→	DR8EA	7162	DR8EVX	6354	DR8EIX	6681	0.7	
200	Yager 200i		DPR6EA-9	5531					0.9
250	Dink 250		DPR7EA-9	5129			DPR7EIX-9	7803	0.9
	Ego 250		DPR7EA-9	5129			DPR7EIX-9	7803	0.9
	Grand Dink 250	01→	DPR7EA-9	5129			DPR7EIX-9	7803	0.9



\* Please note DCPR8E 4339 has a removable terminal nut, whereas DCPR8E 4179 has a fixed terminal nut



## 2 Wheel



CC	MODEL	DATE	STANDARD COPPER CORE	STOCK NUMBER	PLATINUM OR GOLD PALLADIUM	STOCK NUMBER	IRIDIUM	STOCK NUMBER	GAP MM
<b>KYMCO (CONTINUED)</b>									
250	People 250	05→	DPR7EA-9	5129			DPR7EIX-9	7803	0.9
	Venox 250	03→	CR8E	1275			CR8EIX	4218	0.7
	Xciting 250 (Carb)	→08	DPR7EA-9	5129			DPR7EIX-9	7803	0.9
	Xciting 250i	06→08	DPR6EA-9	5531					0.9
	Xciting 250i, 250Ri	08→	DPR6EA-9	5531					0.9
300	Downtown 300i	11→	CR7E	4578			CR7EIX	7385	0.7
400	Xciting 400i	13→	CR7E	4578			CR7EIX	7385	0.7
500	Xciting 500 (Carb)	05→06	CR8E	1275			CR8EIX	4218	0.7
	Xciting 500i	07→	CR7E	4578			CR7EIX	7385	0.7

<b>LAMBRETTA</b>									
125	LI 125, SL125, SI 125		B7ES	1111			BR7EIX	6664	0.5
150	GP 150	76→98	B7ES	1111			BR7EIX	6664	0.5
200	GP 200, SXJet 200, SX200, Links 200	78→	B7ES	1111			BR7EIX	6664	0.5

<b>LAVERDA</b>									
500	500 Alpino S, Montjuic	78→84	D9EA	2420	DR9EVX	6361	DR9EIX	4772	0.7
650	650 i.e, Sport, Formula, Ghost, Diamante	94→98	DCPR9E	2641	DCPR9EVX	6436	DCPR9EIX	2316	0.6
	650, GT, GTL, American Eagle	94→98	B9ES	2611	B9EVX	7254	BR9EIX	3981	0.7
668	668, Ghost, Ghost Strike	96→98	DCPR9E	2641	DCPR9EVX	6436	DCPR9EIX	2316	0.6
750	750, GT, GTL, American Eagle		B8ES	2611			BR8EIX	5044	0.7
	750 S, Ghost 750 Strike, Diamante 750, 750 S Formula	97→02	DCPR9E	2641	DCPR9EVX	6436	DCPR9EIX	2316	0.6
	SF, SFL, SF2, SF3, SFC Twins	68→78	B8ES	2611			BR8EIX	5044	0.7
1000	1000EC, 3C(E), 1000 2CL, Jota, Jarama	76→82	B8ES	2411			BR8EIX	5044	0.7
	RGA, RGS	82→87	B8ES	2411			BR8EIX	5044	0.7
	SFC	85→89	B9ES	2611	B9EVX	7254	BR9EIX	3981	0.7
1200	1200, T, Mirage, TS, Jota American	78→83	B8ES	2411			BR8EIX	5044	0.7

<b>LEM</b>									
50	LX 1,2,3,4 Super & Sport 50 (12.7mm Thread Reach)		B7HS	5110			BR7HIX	7067	0.6
	LX4 (19mm Thread Reach)		BR9ES	5722			BR9EIX	3981	0.7
	S6 Racer (Reed valve engine) 50				B105EGV	2171			0.6

<b>LEXMOTO</b>									
50	Flash ZN50QT-15A		C7HSA	4629			CR7HIX	7544	0.7
	LSM 50	12→	BR8ES	5422			BR8EIX	5044	0.6
	Tornado SB50QT-16(B08)		C7HSA	4629			CR7HIX	7544	0.7
	Tommy ZN50QT-A		C7HSA	4629			CR7HIX	7544	0.7
	Tommy II ZN50QT-E		C7HSA	4629			CR7HIX	7544	0.7
125	Arizona ZS125-30		D8EA	2120			DR8EIX	6681	0.7
	Arrow HT125-4F		D8EA	2120			DR8EIX	6681	0.7
	Firenze ZN125T-F		C7HSA	4629			CR7HIX	7544	0.7
	Gladiator SB125T-23B		C7HSA	4629			CR7HIX	7544	0.7
	Ranger ZS125-50		D8EA	2120			DR8EIX	6681	0.7
	Street DFE125-8A		CR7E	4578			CR7EIX	7385	0.7
	Tommy ZN125T-E		C7HSA	4629			CR7HIX	7544	0.7
	Tornado SB125T-21(B08)		C7HSA	4629			CR7HIX	7544	0.7
	Valencia	12→	C7HSA	4629			CR7HIX	7544	0.7
	Vixen HT125-8		D8EA	2120			DR8EIX	6681	0.7
	XTR KS125-23		D8EA	2120			DR8EIX	6681	0.7
	XTR S KS125-24		D8EA	2120			DR8EIX	6681	0.7
	Zoom II SB125T-21(B10)		C7HSA	4629			CR7HIX	7544	0.7



CC	MODEL	DATE	STANDARD COPPER CORE	STOCK NUMBER	PLATINUM OR GOLD PALLADIUM	STOCK NUMBER	IRIDIUM	STOCK NUMBER	GAP MM
<b>LIFAN</b>									
50	Echo (LF50QT-8D)		C7HSA	4629			CR7HIX	7544	0.6
	Jet 50		C7HSA	4629			CR7HIX	7544	0.7
110	Wacky 110		C7HSA	4629			CR7HIX	7544	0.7
125	Beat 125 (LF125-9A)		C7HSA	4629			CR7HIX	7544	0.6
	Blaze (LF125-30)		D8EA	2120			DR8EIX	6681	0.7
	Earth Dragon		D8EA	2120			DR8EIX	6681	0.7
	Mirage 125 (LF125-J)		D8EA	2120	DR8EVX	6354	DR8EIX	6681	0.6
	Samurai (LF125-30)		D8EA	2120			DR8EIX	6681	0.7
	Sprint (LF125-30)		D8EA	2120			DR8EIX	6681	0.7

<b>LML</b>									
125	Star Deluxe 2-Stroke		BP8HS	2630			BPR8HIX	6742	0.7
	Star Deluxe 4-Stroke	11/09→	CR8EH-9	5666			CR8EHIX-9	3797	0.7
	Via Toscana 2-Stroke	09→	BP8HS	2630			BPR8HIX	6742	0.7
150	Star Deluxe 2-Stroke		BPR6ES	7822			BPR6EIX	6637	0.7
	Star Deluxe 4-Stroke	11/09→	CR8EH-9	5666			CR8EHIX-9	3797	0.7
200	Star Deluxe 4-Stroke	11→	CR8EH-9	5666			CR8EHIX-9	3797	0.7

<b>MAGNI</b>									
1000	Australia		D9EA	2420	DR9EVX	6361	DR9EIX	4772	0.7
	Sfida 1000		BP6ES	7811	BP6EVX	5832	BPR6EIX	6637	0.5
	Sfida Ottovalvole				DR9EVX	6361	DR9EIX	4772	0.6

<b>MAICO</b>									
Various	Moto-X models with 1/2", 12.7mm Thread Reach				B9HVX	2254	BR9HIX	5687	0.5
	Moto-X models with 3/4", 19mm Thread Reach			B9EG	3530	B9EGV	5827	BR9EIX	3981

<b>MALAGUTI</b>									
50	Ciak 50	00→02	BR8HS	4322			BR8HIX	7001	0.6
	Crosser	99→01	BPR6HS	7022			BPR6HIX	4085	0.5
	Drakon 50	04→06	BR9ES	5722			BR9EIX	3981	0.7
	F-10 Jetline	96→06	BR7HS	4122			BR7HIX	7067	0.5
	F-12 Dragon	96→	BR7HS	4122			BR7HIX	7067	0.5
	F-12 Phantom	96→06	BR7HS	4122			BR7HIX	7067	0.5
	F-15 Firefox	97→	BR8HS	4322			BR8HIX	7001	0.5
	F-15 GSE Replica		BR8HS	4322			BR8HIX	7001	0.5
	Foggy Replica		BR8HS	4322			BR8HIX	7001	0.5
	RCX10 (50cc Franco Morini)		B7HS	5110			BR7HIX	7067	0.5
	RCX12 (50cc Franco Morini)		B7HS	5110			BR7HIX	7067	0.5
	Wild Attack F12		BR8HS	4322			BR8HIX	7001	0.5
	XSM 50	04→06	BR9ES	5722			BR9EIX	3981	0.7
	XTM 50	04→06	BR9ES	5722			BR9EIX	3981	0.7
	Yesterday 50	98→00	BR8HS	4322			BR8HIX	7001	0.5
70	F-69 Phantom	97→99	BR7HS	4122			BR7HIX	7067	0.5
100	Ciak 100	00→04	BR8HS	4322			BR8HIX	7001	0.6
	F-12 Phantom 100TD	99→	BR7HS	4122			BR7HIX	7067	0.6
125	Ciak 125	01→04	BR7HS	4122			BR7HIX	7067	0.6
	Madison 125	99→04	CR8E	1275			CR8EIX	4218	0.7
	X3M Motard 125	10→	CR7HSA	4549			CR7HIX	7544	0.6
150	F-18 Warrior	01→	DPR7EA-9	5129			DPR7EIX-9	7803	0.9
250	Madison 250cc	99→04	DPR9EA-9	5329			DPR9EIX-9	5545	0.9
400	Madison K400	02→04	CR9E	6263			CR9EIX	3521	0.7
500	Spidermax 500 GT	04→	CR7EKB	4455			CR7EIX	7385	0.8



CC	MODEL	DATE	STANDARD COPPER CORE	STOCK NUMBER	PLATINUM OR GOLD PALLADIUM	STOCK NUMBER	IRIDIUM	STOCK NUMBER	GAP MM
<b>MBK</b>									
50	Booster 50 NG	99→02	BR8HS	4322			BR8HIX	7001	0.5
	Flipper 50		BR8HS	4322			BR8HIX	7001	0.5
	Mach-G (Air Cooled)		BR8HS	4322			BR8HIX	7001	0.6
	Mach-G (Liquid Cooled)		BR8HS	4322			BR8HIX	7001	0.6
	Nitro 50	99→	BR8HS	4322			BR8HIX	7001	0.5
	Nitro-Jaguar F1		BR8HS	4322			BR8HIX	7001	0.5
	Ovetto 50	99→	BR7HS	4122			BR7HIX	7067	0.6
	Stunt 50	00→	BR9HS	4522			BR9HIX	5687	0.6
	X-Limit 50 Supermotard, Enduro	05→	BR9ES	5722			BR9EIX	3981	0.7
X-Power 50	03→	BR9ES	5722			BR9EIX	3981	0.7	
100	Nitro 100	01→	BR8HS	4322			BR8HIX	7001	0.5
	Ovetto 100	01→	BR8HS	4322			BR8HIX	7001	0.6
125	Doodo 125	01→	CR8E	1275			CR8EIX	4218	0.7
	Flame X 125		CR7E	4578			CR7EIX	7385	0.8
	Skycruiser 125	06→	CPR9EA-9	2308			CR9EIX	3521	0.9
	Skyliner 125	01→	CR8E	1275			CR8EIX	4218	0.7
	Thunder 125	01→	CR8E	1275			CR8EIX	4218	0.7
260	Kilibre 300	03→	DR8EA	7162	DR8EVX	6354	DR8EIX	6681	0.7

<b>MONTESA</b>									
123	Cota 123		B6ES	7310					0.5
125	MH123 (Honda engine)		BR7ES	5122			BR7EIX	6664	0.7
175	Cota 172		B6ES	7310					0.5
	Cota 200		B6ES	7310					0.5
200	MH200 (Honda engine)		BPR7ES	2023			BPR7EIX	4055	0.5
250	310		BPR7ES	2023			BPR7EIX	4055	0.5
	Cota 242		BP6ES	7811	BP6EVX	5832	BPR6EIX	6637	0.5
	Cota 247		B6HS	4510			BR6HIX	3419	0.6
	Cota 248		BP5ES	6511			BPR5EIX	6597	0.5
	Cota 315 (Honda engine)	97→99	BR6ES	4922					0.6
	Cota 4T (Honda engine)	05→	CR6EH-9	2688			CR6EIA-9	7967	0.9
260	304, 307, 309		BPR5ES	7422			BPR5EIX	6597	0.5
	311		BPR5ES	7422			BPR5EIX	6597	0.5
	314		BR6ES	4922					0.6
310	348		BPR5ES	7422			BPR5EIX	6597	0.5
330	330		BPR5ES	7422			BPR5EIX	6597	0.5
350	335		BPR5ES	7422			BPR5EIX	6597	0.5
	Cota 349		BP5ES	6511			BPR5EIX	6597	0.5

<b>MOTO GUZZI</b>									
350	V35	84→87	B8ES	2411			BR8EIX	5044	0.5
500	V50	79→86	B8ES	2411			BR8EIX	5044	0.5
650	V65	84→93	B8ES	2411			BR8EIX	5044	0.5
750	Breva 750 i.e.	04→	BR8ES	5422			BR8EIX	5044	0.6
	Nevada 750 NT/Nevada club (with Digiplex)	90→03	BR8ES	5422			BR8EIX	5044	0.6
	V7 Classic	07/08→12	BR8ES	5422			BR8EIX	5044	0.6
	V7 Café Classic	09→	BR8ES	5422			BR8EIX	5044	0.6
	V7 Café Racer Ø14mm Plug	11/10→11	BR8ES	5422			BR8EIX	5044	0.6
	V7 Café Racer Ø10mm Plug	12→	CPR8EB-9	6607					0.9
	V7 Special, Stone Ø10mm Plug	12→	CPR8EB-9	6607					0.9
	V75	86→88	B8ES	2411			BR8EIX	5044	0.5
850	Le Mans II & III	78→82	BP6ES	7811	BP6EVX	5832	BPR6EIX	6637	0.7
	Ser ies V850	82→85	BP6ES	7811	BP6EVX	5832	BPR6EIX	6637	0.7
940	Bellagio 940 (Twin Spark)	Ø10mm Plug Ø14mm Plug			PMR8B	6378			0.7
		07→	BPR6ES	7822			BPR6EIX	6637	0.7
1000	California III I.E.	87→93	BP7ES	2412	BP7EVX	7270	BPR7EIX	4055	0.5
	California III with Digiplex	91→93	BP7ES	2412	BP7EVX	7270	BPR7EIX	4055	0.5
	Centaurio V10, Centaurio Sport/GT	97→00	DR9EA	3437	DR9EVX	6361	DR9EIX	4772	0.6
	Daytona 1000	92→	D9EA	2420	DR9EVX	6361	DR9EIX	4772	0.7
	Daytona 1000 RS	96→00	DR9EA	3437	DR9EVX	6361	DR9EIX	4772	0.6
	Le Mans IV 1000	82→03/85	BP7ES	2412	BP7EVX	7270	BPR7EIX	4055	0.5
	Le Mans V (Le Mans 1000)	85→94	BP7ES	2412	BP7EVX	7270	BPR7EIX	4055	0.5



CC	MODEL	DATE	STANDARD COPPER CORE	STOCK NUMBER	PLATINUM OR GOLD PALLADIUM	STOCK NUMBER	IRIDIUM	STOCK NUMBER	GAP MM	
<b>MOTO GUZZI (CONTINUED)</b>										
1000	Quota 1000	92→	BP7ES	2412	BP7EVX	7270	BPR7EIX	4055	0.5	
	Series 1000	84→93	BP6ES	7811	BP6EVX	5832	BPR6EIX	6637	0.7	
1100	Breva V 1100 (Twin Spark)	05→	Ø10mm Plug Ø14mm Plug	BPR6ES	7822	PMR8B	6378	BPR6EIX	6637	0.7
	California 1100 Carb									
	California 1100 Inj (Inc. EV, Jackal, Special, Stone & Touring)	94→	BPR6ES	7822			BPR6EIX	6637	0.7	
	California Vintage (Twin Spark)	06→	Ø10mm Plug Ø14mm Plug	BPR6ES	7822	PMR8B	6378	BPR6EIX	6637	0.7
	Griso 1100 (Twin Spark)									
	Quota 1100 ES	98→01	BPR6ES	7822			BPR6EIX	6637	0.5	
	Sport 1100 (Carb)	94→08/96	BP6ES	7811	BP6EVX	5832	BPR6EIX	6637	0.7	
	Sport 1100 (Injection)	96→99	BPR6ES	7822			BPR6EIX	6637	0.6	
	V11 (Twin Spark) Ø10mm Plug	05→				PMR8B	6378			0.7
	V11 (Twin Spark) Ø14mm Plug	05→	BPR6ES	7822			BPR6EIX	6637	0.7	
	V11 1100cc	01→	BPR6ES	7822			BPR6EIX	6637	0.6	
	V11 Le Mans	03→	BPR6ES	7822			BPR6EIX	6637	0.6	
1150	Breva V 1200 (Twin Spark)	08→	Ø10mm Plug Ø14mm Plug	BPR6ES	7822	PMR8B	6378	BPR6EIX	6637	0.7
	Griso 8V									
	Griso 8V SE	09→			PMR8B	6378			0.7	
	Norge 1200 (Twin Spark)	06→	Ø10mm Plug Ø14mm Plug	BPR6ES	7822	PMR8B	6378	BPR6EIX	6637	0.7
	Sport 1200 (Twin Spark)									
	Sport 1200 V4	09→				PMR8B	6378			0.7
	Stelvio 1200 4V	08→				PMR8B	6378			0.7
	Stelvio 1200 TT (NTX)	09→				PMR8B	6378			0.7
1225	MGS-01 Corsa	05→					DCPR9EIX	2316	0.6	
1380	California (Twin Spark)	13→	LMAR8F-9	90894					0.9	

<b>MOTO MORINI</b>									
250	250, Sport	80→85	BP7ES	2412	BP7EVX	7270	BPR7EIX	4055	0.7
350	350 3½ Sport/Strada	74→84	BP7ES	2412	BP7EVX	7270	BPR7EIX	4055	0.7
	Kanguro 350	82→87	BP7ES	2412	BP7EVX	7270	BPR7EIX	4055	0.7
500	Excaliber 500/501	86→93	BP8ES	2912	BP8EVX	2671	BPR8EIX	6684	0.5
	Maestro	81→	BP7ES	2412	BP7EVX	7270	BPR7EIX	4055	0.7
	Sahara 500	81→89	BP7ES	2412	BP7EVX	7270	BPR7EIX	4055	0.7
1187	9½	06→	CR9E	6263			CR9EIX	3521	0.7
	Corsaro	06→	CR9E	6263			CR9EIX	3521	0.7

<b>MOTO ROMA</b>									
50	Bee 50		BPR7HS	6422			BPR7HIX	5944	0.6
	GoGo 50	02→	BPR7HS	6422			BPR7HIX	5944	0.6
	Grand Prix 50		BPR7HS	6422			BPR7HIX	5944	0.6
	MRX1		B8HS	5510	B8HVX	2634	BR8HIX	7001	0.6
	MRX2		B8HS	5510	B8HVX	2634	BR8HIX	7001	0.6
	MRX2 Sprint	02→	B7HS	5110			BR7HIX	7067	0.6
	MRX3	02→	B6HS	4510			BR6HIX	3419	0.6
	MRX3 Sprint	02→	B7HS	5110			BR7HIX	7067	0.6
	MRX4	03→	BR10ES	4832			BR10EIX	6801	0.7
	Roadrunner 50		BP7HS	5111			BPR7HIX	5944	0.6
	RT 50 (2-Stroke)	02→	BPR7HS	6422			BPR7HIX	5944	0.6
	Scrambler 50		BPR7HS	6422			BPR7HIX	5944	0.6
	Stinger, Stinger II		BPR7HS	6422			BPR7HIX	5944	0.6
	Wasp		BPR7HS	6422			BPR7HIX	5944	0.6
	Wasp II		BPR7HS	6422			BPR7HIX	5944	0.6
90	RT 90 (4-Stroke)	02→	BPR7HS	6422			BPR7HIX	5944	0.6
100	Grand Prix 100		BPR7HS	6422			BPR7HIX	5944	0.6
	Roadrunner 100		BPR7HS	6422			BPR7HIX	5944	0.6



## 2 Wheel



CC	MODEL	DATE	STANDARD COPPER CORE	STOCK NUMBER	PLATINUM OR GOLD PALLADIUM	STOCK NUMBER	IRIDIUM	STOCK NUMBER	GAP MM
<b>MOTO ROMA (CONTINUED)</b>									
110	GoGo 110	02→	CR7HS	7223			CR7HIX	7544	0.6
125	Grand Prix 125		CR7HS	7223			CR7HIX	7544	0.6
	MRX125	02→	D8EA	2120	DR8EVX	6354	DR8EIX	6681	0.6
	MRX125B		CR7HSA	4549			CR7HIX	7544	0.6
	Road Runner 125	02→	C7HSA	4629			CR7HIX	7544	0.6
	SK125	10→	DR8EA	7162	DR8EVX	6354	DR8EIX	6681	0.6
	SMX125		CR7HSA	4549			CR7HIX	7544	0.6
	Virage 125		D8EA	2120	DR8EVX	6354	DR8EIX	6681	0.6

<b>MOTOBECANE</b>									
50	All Models		B5HS	4210					0.4

<b>MOTORHISPANIA</b>									
50	Furia 50, Furia Cross (1/2", 12.7mm Thread Reach)		BPR7HS	6422			BPR7HIX	5944	0.6
	Furia 50, Furia Cross (3/4", 19mm Thread Reach)	99→	BR9ES	5722			BR9EIX	3981	0.6
	RX50	00→	BR9ES	5722			BR9EIX	3981	0.6
	RYZ 50 Cross, Supermoto	02→	BR9ES	5722			BR9EIX	3981	0.6
125	Duna SM125	07→	CR6HSA	2983			CR6HIX	7274	0.7
	Duna SX125	07→	CR6HSA	2983			CR6HIX	7274	0.7
	MH7	10→	CR6HSA	2983			CR6HIX	7274	0.7
	RYZ 125 (Yamaha engine)	05→	CR7HSA	4549			CR7HIX	7544	0.6

<b>MS</b>									
50	Sprite		BP6ES	7811	BP6EVX	5832	BPR6EIX	6637	0.7
	Steward		BP6ES	7811	BP6EVX	5832	BPR6EIX	6637	0.7

<b>MV AGUSTA</b>									
675	Brutale 675 Trepistone	02/12→	CR9EKB	2305			CR9EIX	3521	0.8
	F3 (Incl. Serie Oro)	11/11→	CR9EKB	2305			CR9EIX	3521	0.8
750	Brutale S	02→06	CR9EKB	2305			CR9EIX	3521	0.8
	F4, F4S 1+1, F4 SPR	99→04	CR9EKB	2305			CR9EIX	3521	0.8
	F4 Senna	02→04	CR9EKB	2305			CR9EIX	3521	0.8
	F4 all models, track/race use only.	99→04	R0045J-10	7400					1.1
800	Brutale 800	13→					CR9EIB-9	92579	0.9
	Dragster 800	14→					CR9EIB-9	92579	0.9
	F3	13→					CR9EIB-9	92579	0.9
	Rivale 800	13→					CR9EIB-9	92579	0.9
	Turismo Veloce 800	14→					CR9EIB-9	92579	0.9
910	Brutale 910, 910 R, 910 S	05→08	CR9EKB	2305			CR9EIX	3521	0.8
921	Brutale 920	04/11→	CR9EB	6955			CR9EIX	3521	0.7
982	Brutale 989 R	08→09	CR9EB	6955			CR9EIX	3521	0.7
1000	Brutale 990 R	09→12	CR9EB	6955			CR9EIX	3521	0.7
	F4 1000 S	04→09	CR9EKB	2305			CR9EIX	3521	0.8
	F4 1000 R (Incl. Senna)	06→09	CR9EB	6955			CR9EIX	3521	0.7
	F4 AGO	04→05	CR9EB	6955			CR9EIX	3521	0.7
	F4 R 312	07→08	CR9EB	6955			CR9EIX	3521	0.7
	F4	10→	CR9EB	6955			CR9EIX	3521	0.7
	F4 R	12→	CR9EB	6955			CR9EIX	3521	0.7
	F4 RR	11→	CR9EB	6955			CR9EIX	3521	0.7
	F4 all models, track/race use only.	04→	R0045J-10	7400					1.1
1078	Brutale 1078 RR	08→	CR9EB	6955			CR9EIX	3521	0.7
	Brutale 1090 R	12→	CR9EB	6955			CR9EIX	3521	0.7
	Brutale 1090 RR	10→	CR9EB	6955			CR9EIX	3521	0.7
	F4 RR 312	08→09	CR9EB	6955			CR9EIX	3521	0.7



CC	MODEL	DATE	STANDARD COPPER CORE	STOCK NUMBER	PLATINUM OR GOLD PALLADIUM	STOCK NUMBER	IRIDIUM	STOCK NUMBER	GAP MM
<b>MZ</b>									
50	Moskito 50		BR7HS	4122			BR7HIX	7067	0.7
	Moskito SX 50		BR7HS	4122			BR7HIX	7067	0.9
125	ETZ 125	86→99	B8HS	5510	B8HVX	2634	BR8HIX	7001	0.6
	Moskito 125		C7HSA	4629			CR7HIX	7544	0.6
	RT/SX/SM 125		CR8E	1275			CR8EIX	4218	0.7
	Saxon Sportstar 125		B8HS	5510	B8HVX	2634	BR8HIX	7001	0.7
	TS125	76→86	B8HS	5510	B8HVX	2634	BR8HIX	7001	0.6
150	ETZ 150	86→95	B8HS	5510	B8HVX	2634	BR8HIX	7001	0.6
	TS150	75→86	B8HS	5510	B8HVX	2634	BR8HIX	7001	0.6
250	ETZ 250/251	81→97	B8HS	5510	B8HVX	2634	BR8HIX	7001	0.6
	TS250-1	76→83	B8HS	5510	B8HVX	2634	BR8HIX	7001	0.6
300	ETZ 300/301 Series	87→97	B8HS	5510	B8HVX	2634	BR8HIX	7001	0.6
500	MZ500, 500R	92→96	D8EA	2120	DR8EVX	6354	DR8EIX	6681	0.7
	Saxon (494cc Rotax engine) Country, Silver Star, Tour	93→98	D8EA	2120	DR8EVX	6354	DR8EIX	6681	0.7
650	Baghira, Black Panther, Mastiff, Supermoto	98→	DPR8EA-9	4929			DPR8EIX-9	2202	0.9
659	Skorpion 659 Replica, Sport, Tour, Traveller	94→	DPR8EA-9	4929			DPR8EIX-9	2202	0.9
	Skorpion Cup 659cc		DPR9EA-9	5329			DPR9EIX-9	5545	0.9
1000	1000S, SF, ST	04→	BCPR6ET	2197			BKR6EIX	6418	0.8

<b>NEVAL</b>									
650	Dnepr Classic, Roadster, Phoenix, Soviet, Soviet Knight	78→	B7HS	5110			BR7HIX	7067	0.5
	Ural 650cc	85→	B6HS	4510			BR6HIX	3419	0.6

<b>NIPPONIA</b>									
50	Neon	12→	BPR7HS	6422			BPR7HIX	5944	0.6
125	Dion	12→	CR7HSA	4549			CR7HIX	7544	0.6
	Miro	12→	CR7HSA	4549			CR7HIX	7544	0.6

<b>NORTON</b>									
750	Atlas	64→68	BP8ES	2912	BP8EVX	2671	BPR8EIX	6684	0.6
	Commando	68→73	BP7ES	2412	BP7EVX	7270	BPR7EIX	4055	0.6
850	Commando	73→78	BP7ES	2412	BP7EVX	7270	BPR7EIX	4055	0.6
961	Commando SE	10→	CR9EB	6955			CR9EIX	3521	0.8
	Commando Café Racer	11→	CR9EB	6955			CR9EIX	3521	0.8
	Commando Sport	10→	CR9EB	6955			CR9EIX	3521	0.8
Rotary	F1, Commander	88→93	C8E	7471			CR8EIX	4218	0.6

<b>OSSA</b>									
272	TR280i	11→	BPR5ES	7422			BPR5EIX	6597	0.5

<b>PEUGEOT</b>									
50	Buxy / Buxy RS 50 (Air Cooled)	95→97	B7HS	5110			BR7HIX	7067	0.6
	Elyseo 50 (Air Cooled)	98→	BR7HS	4122			BR7HIX	7067	0.6
	Elystar 50P	02→05	CPR8E	7411			CR8EIX	4218	0.8
	Jet Force 50	03→	CPR8E	7411			CR8EIX	4218	0.8
	Jet Force C-Tech	06→	CR7EB	4663			CR7EIX	7385	0.6
	Jet Force TSDI	05→	CR7EKA	1462			CR7EIX	7385	0.7
	Looxor 50	01→04	BR7HS	4122			BR7HIX	7067	0.6
	Looxor 50 TSDI Inj. (2-Stroke)	02→	CPR8E	7411			CR8EIX	4218	0.8
	Ludix 50 Blaster, Elegance, Snake Ø14mm Plug	04→07	BR7HS	4122			BR7HIX	7067	0.6
	Ludix Blaster Ø10mm Plug	08→	CR7EB	4663			CR7EIX	7385	0.6
	Ludix Blaster RS12 Ø10mm Plug	06→	CR7EB	4663			CR7EIX	7385	0.6
	Metal-X	02→	BR7HS	4122			BR7HIX	7067	0.6
	Speedake 50 (Air Cooled)	95→97	BR7HS	4122			BR7HIX	7067	0.6
	Speedfight 50 (All models Air Cooled)	96→00	BR7HS	4122			BR7HIX	7067	0.6
	Speedfight 50 LCD/P (Liquid Cooled)	96→00	BR7HS	4122			BR7HIX	7067	0.6
	Speedfight 2 50 (Air Cooled)	00→	BR7HS	4122			BR7HIX	7067	0.6
	Speedfight 2 50 (Liquid Cooled)	01→	BR7HS	4122			BR7HIX	7067	0.6



CC	MODEL	DATE	STANDARD COPPER CORE	STOCK NUMBER	PLATINUM OR GOLD PALLADIUM	STOCK NUMBER	IRIDIUM	STOCK NUMBER	GAP MM
<b>PEUGEOT (CONTINUED)</b>									
50	Speedfight 2 Motorsport 50 LC	07→	BR7HS	4122			BR7HIX	7067	0.6
	Speedfight 3 Air (Air Cooled)	09→	BR7HS	4122			BR7HIX	7067	0.6
	Speedfight 3 Darkside, Iceblade, Liquid, Team (Liquid Cooled)	09→	CR7EB	4663			CR7EIX	7385	0.6
	Squab (Air Cooled)	96→97	BR7HS	4122			BR7HIX	7067	0.6
	TKR 50	03→	BR7HS	4122			BR7HIX	7067	0.6
	TKR 50 307 WRC	05→	BR7HS	4122			BR7HIX	7067	0.6
	Trekker 50 Road, Off Road	97→04	BR7HS	4122			BR7HIX	7067	0.6
	Tweet 50	12→	CR6HSA	2983			CR6HIX	7274	0.7
	Vivacity 50, Vivacity 50P	99→	BR7HS	4122			BR7HIX	7067	0.6
	Vivacity 50 Sportline	00→	BR7HS	4122			BR7HIX	7067	0.6
	Vivacity 3 Sixties	11→	CR6HSA	2983			CR6HIX	7274	0.7
	V-Clic	07→	CR7HSA	4549			CR7HIX	7544	0.6
	XPS 50 Enduro, Trail, Supermotard 50	03→	BR9ES	5722			BR9EIX	3981	0.7
	XR6 50	03→	BR9ES	5722			BR9EIX	3981	0.7
Zenith 50 L, M, LS, N	95→00	BR7HS	4122			BR7HIX	7067	0.6	
100	Elyseo 100	98→	BR8ES	5422			BR8EIX	5044	0.6
	Looxor 100	01→04	BR8ES	5422			BR8EIX	5044	0.6
	Metal X 100	02→	BR8ES	5422			BR8EIX	5044	0.6
	Speedfight 100 (Air Cooled)	97→	BR8ES	5422			BR8EIX	5044	0.6
	Speedfight WRC 206 (Air Cooled)	01→	BR8ES	5422			BR8EIX	5044	0.6
	Speedfight 2	00→08	BR8ES	5422			BR8EIX	5044	0.6
	Trekker 100 (Air Cooled)	97→00	BR8ES	5422			BR8EIX	5044	0.6
	Vivacity 100, Vivacity 100 Sportline	99→08	BR8ES	5422			BR8EIX	5044	0.6
125	Citystar	11→	CR8EB	7784			CR8EIX	4218	0.8
	Elyseo 125 (Liquid Cooled)	99→	CR7E	4578			CR7EIX	7385	0.6
	Elystar 125	02→05	CR7EB	4663			CR7EIX	7385	0.6
	Elystar 125 Injection	05→11	CR7EB	4663			CR7EIX	7385	0.6
	Geopolis Executive 125	07→	CR9EB	6955			CR9EIX	3521	0.6
	Jet Force F.I.	03→	CR7EB	4663			CR7EIX	7385	0.6
	Jet Force EFI Compressor	05→	CR8EK	3478			CR8EIX	4218	0.7
	Looxor 125	02→	CR7EB	4663			CR7EIX	7385	0.6
	Satelis 125	05→10	CR9EB	6955			CR9EIX	3521	0.6
	Satelis 125 Compressor	07→10	CR9EB	6955			CR9EIX	3521	0.6
	Satelis 125 Executive	06→10	CR9EB	6955			CR9EIX	3521	0.6
	Satelis LFE 125i	13→	CR8EB	7784			CR8EIX	4218	0.8
	Sum Up 125	08→	CR7HSA	4549			CR7HIX	7544	0.7
	SV125	91→94	BP6HS	4511			BPR6HIX	4085	0.6
	XPS CT125	06→08	CR7HSA	4549			CR7HIX	7544	0.7
150	Elyseo 150 (Liquid Cooled)	00→02	CR7E	4578			CR7EIX	7385	0.6
	Elystar 150	02→	CR7EB	4663			CR7EIX	7385	0.6
	Looxor 150	02→	CR7EB	4663			CR7EIX	7385	0.6
250	Geopolis Executive 250	07→	CR9EB	6955			CR9EIX	3521	0.6
	Satelis 250	07→	CR9EB	6955			CR9EIX	3521	0.6
500	Satelis 500	08→	CR7EKB	4455			CR7EIX	7385	0.8

<b>PGO</b>									
50	Big Max, Galaxy 50, G-Max, Mega, Tornado	04→	BPR7HS	6422			BPR7HIX	5944	0.6
	Comet 50, PMX Sport 50, Rodoshow 50, T-Rex 50	98→	BPR7HS	6422			BPR7HIX	5944	0.6
	Libra 50	08→	BPR7HS	6422			BPR7HIX	5944	0.6
	Ligero 50	08→	BPR7HS	6422			BPR7HIX	5944	0.6
	PMX Naked 50	07→	BPR7HS	6422			BPR7HIX	5944	0.6
125	G-Max 125	05→	CR7HSA	4549			CR7HIX	7544	0.6
	Libra 125	08→	C7HSA	4629			CR7HIX	7544	0.6
	Ligero 125	08→	C7HSA	4629			CR7HIX	7544	0.6
	T-Rex 125	98→	CR7HSA	4549			CR7HIX	7544	0.6
250	G-Max 250	05→07	DPR7EA-9	5129			DPR7EIX-9	7803	0.7



CC	MODEL	DATE	STANDARD COPPER CORE	STOCK NUMBER	PLATINUM OR GOLD PALLADIUM	STOCK NUMBER	IRIDIUM	STOCK NUMBER	GAP MM
<b>PIAGGIO / VESPA</b>									
<b>50</b>	50 Special	83→	B6HS	4510			BR6HIX	3419	0.5
	Fly 50 (2-Stroke)	04→	BR9ES	5722			BR9EIX	3981	0.6
	Fly 50 (4-Stroke)	06→	CR8EB	7784			CR8EIX	4218	0.8
	Free 50 (All versions)	93→97	BR9ES	5722			BR9EIX	3981	0.5
	Liberty 50 (2-Stroke)	97→	BR9ES	5722			BR9EIX	3981	0.5
	Liberty 50 (4-Stroke)	02→	CR9EB	6955			CR9EIX	3521	0.7
	NRG 50, NRG Power DD/DT Ø14mm Plug	97→	BR9ES	5722			BR9EIX	3981	0.6
	NRG mc3 Pure Jet Ø10mm Plug	02→05	CPR8E	7411			CR8EIX	4218	0.8
	NRG mc3 Pure Jet Ø10mm Plug	06→			ZMR7AP	6914			0.8
	PK50S	83→87	B6HS	4510			BR6HIX	3419	0.5
	Sfera 50	91→97	BR9ES	5722			BR9EIX	3981	0.5
	Typhoon 50	93→	B9ES	2611	B9EVX	7254	BR9EIX	3981	0.5
	Velofax, Quartz, Zip, Zip SP (2-Stroke)	93→	BR9ES	5722			BR9EIX	3981	0.5
	Vespa ET2 (2-Stroke)	97→05	BR9ES	5722			BR9EIX	3981	0.5
	Vespa ET4 50 (4-Stroke)	01→05	CR9EB	6955			CR9EIX	3521	0.6
	Vespa LX50 (2-Stroke)	05→	BR9ES	5722			BR9EIX	3981	0.6
	Vespa LX50 (4-Stroke) Ø10mm Plug	06→09	CR8EB	7784			CR8EIX	4218	0.8
	Vespa LX50 4V (4-Stroke) Ø8mm Plug	10→	ER9EH-6N	1673					0.6
	Vespa LXV 50 (2-Stroke)	06→	BR9ES	5722			BR9EIX	3981	0.6
	Vespa S 50 (2-Stroke) Ø14mm Plug	07→	BR9ES	5722			BR9EIX	3981	0.6
Vespa S 50 (4-Stroke) Ø8mm Plug	08→	ER9EH-6N	1673					0.6	
Zip 50 (2-Stroke)	93→	BR9ES	5722			BR9EIX	3981	0.7	
Zip 50 (4-Stroke)	02→	CR8EB	7784			CR8EIX	4218	0.7	
<b>80</b>	Sfera 80	93→98	BR9ES	5722			BR9EIX	3981	0.5
	Typhoon 80	94→00	B9ES	2611	B9EVX	7254	BR9EIX	3981	0.5
<b>100</b>	Diesis 100	02→03	BR9ES	5722			BR9EIX	3981	0.6
	Fly 100 (4-Stroke)	08→	CR8EB	7784			CR8EIX	4218	0.7
	PK 100 S	83→93	B6HS	4510			BR6HIX	3419	0.5
	Zip 100 (4-Stroke)	06→08	CR9EB	6955			CR9EIX	3521	0.7
<b>125</b>	Ape		BR7HS	4122			BR7HIX	7067	0.7
	B 125 Beverly (Liquid Cooled 4-Stroke)	02→	CR8EB	7784			CR8EIX	4218	0.8
	Carnaby 125	07→	CR8EB	7784			CR8EIX	4218	0.8
	Cosa, Cosa II (125)	90→95	BR9ES	5722			BR9EIX	3981	0.6
	Fly 125 (4-Stroke)	05→	CR7EB	4663			CR7EIX	7385	0.6
	Hexagon 125	94→98	BR9ES	5722			BR9EIX	3981	0.5
	Hexagon GTX 125	00→02	CR9EB	6955			CR9EIX	3521	0.7
	Hexagon LX 125	98→00	BR9ES	5722			BR9EIX	3981	0.6
	Liberty 125 (4-Stroke)	98→	CR9E	6263			CR9EIX	3521	0.6
	Liberty 125 Leader		CR8EB	7784			CR8EIX	4218	0.7
	MP3 125		CR8EB	7784			CR8EIX	4218	0.8
	P125X		B6HS	4510			BR6HIX	3419	0.5
	Primavera & PK 125		B6HS	4510			BR6HIX	3419	0.5
	Primavera ET3		B7HS	5110			BR7HIX	7067	0.5
	Sfera 125 (4-Stroke)	96→98	CR9E	6263			CR9EIX	3521	0.6
	Skipper	93→98	B9ES	2611	B9EVX	7254	BR9EIX	3981	0.5
	Skipper 125 (2-Stroke)	98→01	BR9ES	5722			BR9EIX	3981	0.5
	Skipper ST 125 (4-Stroke)	00→	CR7EB	4663			CR7EIX	7385	0.6
	Typhoon 125	95→03	B9ES	2611	B9EVX	7254	BR9EIX	3981	0.5
	Vespa 946	13→	CR8EB	7784			CR8EIX	4218	0.8
	Vespa ET4 125 (4-Stroke)	96→05	CR8EB	7784			CR8EIX	4218	0.8
	Vespa GT 125 Granturismo	03→07	CR8EB	7784			CR8EIX	4218	0.8
	Vespa GT V 125	06→	CR8EB	7784			CR8EIX	4218	0.8
	Vespa GTS 125	07→	CR8EB	7784			CR8EIX	4218	0.8
	Vespa GTS 125 Super i.e.	09→	CR8EKB	4374			CR8EIX	4218	0.7
	Vespa LX 125 (4-Stroke)	05→11	CR7EB	4663			CR7EIX	7385	0.6
	Vespa LX 125 3V (4-Stroke)	12→	CR8EB	7784			CR8EIX	4218	0.8
	Vespa LX V 125	06→	CR7EB	4663			CR7EIX	7385	0.6
	Vespa PX125E (Electric Start)	82→93	BR7HS	4122			BR7HIX	7067	0.5
	Vespa PX125T5, T5 Classic (2-Stroke)	85→99	B9ES	2611	B9EVX	7254	BR9EIX	3981	0.5
	Vespa PX125 (2-Stroke, Euro 1)	00→08	B6HS	4510			BR6HIX	3419	0.5
	Vespa S 125	07→	CR7EB	4663			CR7EIX	7385	0.6
X7 125	2008	CR8EB	7784			CR8EIX	4218	0.6	
X7 125	09→	CR8EKB	4374			CR8EIX	4218	0.7	



CC	MODEL	DATE	STANDARD COPPER CORE	STOCK NUMBER	PLATINUM OR GOLD PALLADIUM	STOCK NUMBER	IRIDIUM	STOCK NUMBER	GAP MM
<b>PIAGGIO / VESPA (CONTINUED)</b>									
125	X8 125	06→08	CR8EB	7784			CR8EIX	4218	0.6
	X9 125 (Piaggio 4-Stroke)	01→	CR8EB	7784			CR8EIX	4218	0.6
	Xevo 125	07→	CR8EB	7784			CR8EIX	4218	0.7
	Zip 125	01→04	CR7EB	4663			CR7EIX	7385	0.6
150	Cosa 150		BR9ES	5722			BR9EIX	3981	0.6
	Vespa PX150	83→90	B6HS	4510			BR6HIX	3419	0.5
180	Hexagon 180LXT	98→00	BR9ES	5722			BR9EIX	3981	0.6
190	Ape		BR7HS	4122			BR7HIX	7067	0.7
200	Beverly 200 (4-Stroke)		CR8EB	7784			CR8EIX	4218	0.8
	Cosa 200, P200E		B6ES	7310					0.5
	Cosa II 200	88→91	B7ES	1111			BR7EIX	6664	0.5
	Vespa 200 Rally	72→79	B7ES	1111			BR7EIX	6664	0.5
	Vespa GT 200 Granturismo	03→07	CR7EB	4663			CR7EIX	7385	0.6
	Vespa PX200	86→97	B7ES	1111			BR7EIX	6664	0.5
	Vespa PX200 E Disc	98→	BR6ES	4922					0.6
	X8 200	05→	CR7EKB	4455			CR7EIX	7385	0.8
220	Ape		BR7HS	4122			BR7HIX	7067	0.7
250	Hexagon GT 250, GTX 250 (Honda 4-Stroke)	98→01	DPR6EA-9	5531					0.9
	Super Hexagon GTX250	00→	CR9E	6263			CR9EIX	3521	0.7
	Vespa GTS 250i.e.	05→	CR8EB	7784			CR8EIX	4218	0.6
	Vespa GTV 250i.e.	06→	CR8EB	7784			CR8EIX	4218	0.6
	X8 250	06→08	CR8EB	7784			CR8EIX	4218	0.6
	X9 250cc (Honda 4-Stroke)	00→	DPR7EA-9	5129	DPR7EVX-9	7682	DPR7EIX-9	7803	0.9
	X9 250cc Evolution (Quasar 4-Stroke + carb)		CR8EB	7784			CR8EIX	4218	0.6
300	MP3 300 (Incl. LT)	10→	CR8EKB	4374			CR8EIX	4218	0.7
	Vespa GTS 300	08→	CR8EKB	4374			CR8EIX	4218	0.7
350	Beverly 350 Sport Touring	12→	CR8EKB	4374			CR8EIX	4218	0.7
	X10	12→	CR7EKB	4455			CR7EIX	7385	0.8
400	MP3 400	07→	CR7EKB	4455			CR7EIX	7385	0.8
	X8 400	06→08	CR7EKB	4455			CR7EIX	7385	0.8
	Xevo 400	07→	CR7EKB	4455			CR7EIX	7385	0.8
460	B500	03→	CR7EKB	4455			CR7EIX	7385	0.8
	X9 500 (Fuel Injection 4-Stroke)	02→	CR7EKB	4455			CR7EIX	7385	0.8
	X9 500 Evolution (Fuel Injection 4-Stroke)	04→08	CR7EKB	4455			CR7EIX	7385	0.8

<b>PIONEER</b>									
125	Nevada 125	08→	D8EA	2120			DR8EIX	6681	0.7
	Torro 125	08→	D8EA	2120			DR8EIX	6681	0.7

<b>PUCH</b>									
50	Magnum		B-4H	4110					0.5
	Maxi: 1.0 HP Models		B-4H	4110					0.5
	Maxi: 1.5 HP Models		B5HS	4210					0.5
	Maxi: 2.0 HP Models		B6HS	4510			BR6HIX	3419	0.5
	Monza 50, Ranger 50, X40		B7HS	5110			BR7HIX	7067	0.5

<b>PULSE</b>									
50	HT50QT-36 Force 50 (2-valve)		CR7HS	7223			CR7HIX	7544	0.7
	Advert, Ghost		BPR7HS	6422			BPR7HIX	5944	0.6
	Force 50 (2-Stroke)	08→	BPR7HS	6422			BPR7HIX	5944	0.6
	Lightspeed 2 WY50QT-58	08→	CR7HS	7223			CR7HIX	7544	0.7
	Rhythm, Scout		CR7HS	7223			CR7HIX	7544	0.7
	Evo SM		BR8ES	5422			BR8EIX	5044	0.6
	125	Adrenaline 125 XF125GY-2B		CR8E	1275			CR8EIX	4218
HT125T-9 Vijo 125			D8EA	2120			DR8EIX	6681	0.7
Lightspeed 2 WY125T-74		12→	CR7HS	7223			CR7HIX	7544	0.7
LK125GY-2 Rage 125			CR7HS	7223			CR7HIX	7544	0.7
Phantom ZN125T-32A			CR7HS	7223			CR7HIX	7544	0.7
Zoom			CR7HSA	4549			CR7HIX	7544	0.6
250	Adrenaline 250 XF250GY	08→	DR8EA	7162			DR8EIX	6681	0.7



CC	MODEL	DATE	STANDARD COPPER CORE	STOCK NUMBER	PLATINUM OR GOLD PALLADIUM	STOCK NUMBER	IRIDIUM	STOCK NUMBER	GAP MM
<b>REGAL RAPTOR</b>									
50	DD50QE-2	03→	CR7HS	7223			CR7HIX	7544	0.7
100	DD100E	03→	CR7HS	7223			CR7HIX	7544	0.7

<b>REGENT</b>									
125	Roadster, Deluxe, Sports Tourer, Super RT125		B7HS	5110			BR7HIX	7067	0.6
150	Roadster, Trail, Deluxe	95→97	B7HS	5110			BR7HIX	7067	0.6
175	Roadster, Trail, Deluxe, Sports Tourer, Super RT175	95→97	B7HS	5110			BR7HIX	7067	0.6

<b>RIDERS</b>									
50	Riders Super Cub	11→	CR7HSA	4549			CR7HIX	7544	0.6
110	Riders Super Cub	11→	CR7HSA	4549			CR7HIX	7544	0.6

<b>RIEJU</b>									
50	MRT 50 (Incl. Pro, SM)		BR9ES	5722			BR9EIX	3981	0.6
	MRX 50 (Minarelli engine)	03→	BR9ES	5722			BR9EIX	3981	0.8
	MRX 50 Pro	03→	BR9ES	5722			BR9EIX	3981	0.8
	MX50 (Morini S5 engine)	03→	B6HS	4510			BR6HIX	3419	0.5
	RR50 / Spike / Supermotard / RR50 Castrol	97→	BR9ES	5722			BR9EIX	3981	0.8
	RRX Spike 50 Supermoto	07→	BR8ES	5422			BR8EIX	5044	0.5
	RS1 Evolution	98→04	BR9ES	5722			BR9EIX	3981	0.8
	RS2 50 Matrix (Incl. Pro)	03→	BR9ES	5722			BR9EIX	3981	0.7
	RS2 50 NKD		BR9ES	5722			BR9EIX	3981	0.7
	RS3	11→	BR9ES	5722			BR9EIX	3981	0.7
	RS3 NKD	13→	BR9ES	5722			BR9EIX	3981	0.7
	SMX (Minarelli engine)	03→	BR9ES	5722			BR9EIX	3981	0.8
	SMX Pro 50	04→	BR9ES	5722			BR9EIX	3981	0.7
	Spike 50		BR9ES	5722			BR9EIX	3981	0.7
Tango 50, Tango0! 50	07→	BR9ES	5722			BR9EIX	3981	0.7	
125	Marathon (Endura / SM)		CR8E	1275			CR8EIX	4218	0.7
	MRX (Yamaha 4-Stroke)	03→	CR7HSA	4549			CR7HIX	7544	0.6
	RS2 125 Matrix	06→	CR7HSA	4549			CR7HIX	7544	0.6
	RS2 125 NKD	06→07	CR7HSA	4549			CR7HIX	7544	0.6
	RS2 125 Pro	07→11	CR7HSA	4549			CR7HIX	7544	0.6
	RS3	11→	CR8E	1275			CR8EIX	4218	0.7
	RS3 NKD	13→	CR8E	1275			CR8EIX	4218	0.7
	SMX (Yamaha 4-Stroke)	03→	CR7HSA	4549			CR7HIX	7544	0.6
Tango 125	07→	CR7HSA	4549			CR7HIX	7544	0.6	
250	Marathon	10→	CR8E	1275			CR8EIX	4218	0.7
	Tango 250		D8EA	2120			DR8EIX	6681	0.7
450	Marathon	10→	CR8E	1275			CR8EIX	4218	0.7

<b>ROVIGO</b>									
50	Spoletto 50, Tempesta 50	99→	BPR7HS	6422			BPR7HIX	5944	0.6

<b>ROYAL ENFIELD (1980→)</b>									
350	Bullet Classic models	80→	B7HS	5110			BR7HIX	7067	0.5
500	Bullet Classic models	80→08	BR8ES	5422			BR8EIX	5044	0.5
	Bullet Electra X Lean Burn engine models	04→08	BR9ES	5722			BR9EIX	3981	0.8

<b>RTX</b>									
125	Cross C125, Trials T125		B7HS	5110			BR7HIX	7067	0.6
212	Cross C212, Trials T212		B8HS	5510	B8HVX	2634	BR8HIX	7001	0.6



CC	MODEL	DATE	STANDARD COPPER CORE	STOCK NUMBER	PLATINUM OR GOLD PALLADIUM	STOCK NUMBER	IRIDIUM	STOCK NUMBER	GAP MM
<b>SACHS</b>									
50	Dirty Devil	04→	BP5HS	4111					0.6
	MadAss 50	04→	CR7HSA	4549			CR7HIX	7544	0.6
	Speedjet R	05/09→	BPR7HS	6422			BPR7HIX	5944	0.7
	Speedjet RS	06/11→	BPR7HS	6422			BPR7HIX	5944	0.7
110	Dirty Devil	04→	C7HSA	4629			CR7HIX	7544	0.6
125	MadAss 125	06→	C7HSA	4629			CR7HIX	7544	0.6
	Roadster 125	00→05	CR6HSA	2983			CR6HIX	7274	0.8
	XTC 125, ZX Enduro 125, ZZ 125 (Ø14mm Plug)	00→01	BR9ES	5722			BR9EIX	3981	0.8
	XTC 125 (Ø10mm Plug) 4-Stroke	02→07	CR8E	1275			CR8EIX	4218	0.7
650	Roadster 650	00→	CR10E	6264			CR10EIX	6482	0.8
805	B 805	02→	DPR8EA-9	4929			DPR8EIX-9	2202	0.9
	Roadster 800	00→05	DPR8EA-9	4929			DPR8EIX-9	2202	0.9

<b>SCORPA</b>									
70	4-Tricks	06→07	CR7HSA	4549			CR7HIX	7544	0.7
125	SR125R	11→	BP5ES	6511			BPR5EIX	6597	0.5
	SY 125 FR	03→09	CR7HSA	4549			CR7HIX	7544	0.7
	TY-S 125F	04→06	CR7HSA	4549			CR7HIX	7544	0.7
	TY 125F	12→	CR6HSA	2983			CR6HIX	7274	0.7
175	SY 175 F	03→09	CR7HSA	4549			CR7HIX	7544	0.7
	TY-S 175 F	03→09	CR7HSA	4549			CR7HIX	7544	0.7
250	SY 250						BPR6EIX	6637	0.7
	SY 250 FR	07→	CR8E	1275			CR8EIX	4218	0.7
	SY 250 Long Ride	06→09			BKR5EVX	2546	BKR5EIX	6341	0.6
	SY 250 Racing	01→09			BKR5EVX	2546	BKR5EIX	6341	0.6
	T-Ride 250F	08→	CR8E	1275			CR8EIX	4218	0.7
	TY 250 / E						BKR6EIX	6418	0.7
272	SR280R	11→	BP5ES	6511			BPR5EIX	6597	0.5
300	294, 295		BP5ES	6511			BPR5EIX	6597	0.5

<b>SHERCO</b>									
50	0.5 Kid	03→	B9ES	2611	B9EVX	7254	BR9EIX	3981	0.6
	Base		BR9ES	5722			BR9EIX	3981	0.7
	Champion Replica 50		BR9ES	5722			BR9EIX	3981	0.7
	Enduro 50	03→	BR9ES	5722			BR9EIX	3981	0.7
	HRD50	03→	BR9ES	5722			BR9EIX	3981	0.7
	Ipone Replica		BR9ES	5722			BR9EIX	3981	0.7
	Supermotard 50	03→	BR9ES	5722			BR9EIX	3981	0.7
80	ST 0.8	04→	BP5ES	6511			BPR5EIX	6597	0.5
125	Academy 125	2009	BP5ES	6511			BPR5EIX	6597	0.6
	City Corp 125	04→	CR7HSA	4549			CR7HIX	7544	0.6
	ST 1.25	99→	BP5ES	6511			BPR5EIX	6597	0.6
200	2.0	99→	BP5ES	6511			BPR5EIX	6597	0.6
250	2.5i-F	08→11	CR8EK	3478			CR8EIX	4218	0.7
	Access 2.5 (2-Stroke)	2010	BP5ES	6511			BPR5EIX	6597	0.6
	SE 250i	12→	CR8EK	3478			CR8EIX	4218	0.7
	ST 2.5	99→10	BP5ES	6511			BPR5EIX	6597	0.6
	ST 2.5	11→13	BP5ES	6511			BPR5EIX	6597	0.6
272	290 X-Ride	12→	BPR5ES	7422			BPR5EIX	6597	0.6
290	3.0i-F	10→11	CR8EK	3478			CR8EIX	4218	0.7
	Access 2.9 (2-Stroke)	2010	BP5ES	6511			BPR5EIX	6597	0.6
	ST 2.9	99→10	BP5ES	6511			BPR5EIX	6597	0.6
	ST 2.9	11→	BP5ES	6511			BPR5EIX	6597	0.6
	SE 300i	12→	CR8EK	3478			CR8EIX	4218	0.7
320	3.2 4T	05→			PFR6B	3500		0.6	
450	4.5i-F 4T	04→	CR8EK	3478			CR8EIX	4218	0.7
	4.5i Enduro	05→	CR8EK	3478			CR8EIX	4218	0.7
510	5.1i	05→	CR8EK	3478			CR8EIX	4218	0.7



CC	MODEL	DATE	STANDARD COPPER CORE	STOCK NUMBER	PLATINUM OR GOLD PALLADIUM	STOCK NUMBER	IRIDIUM	STOCK NUMBER	GAP MM
<b>SIMSON</b>									
50	S51 Series SR50		B7HS	5110			BR7HIX	7067	0.5
70	S70 C&E	83→	B7HS	5110			BR7HIX	7067	0.5

<b>SINNIS</b>									
50	Eagle, Hawk (2-Stroke)	06/06→	BPR7HS	6422			BPR7HIX	5944	0.6
	Falcon, Jet (4-Stroke)	06/06→	CR7HSA	4549			CR7HIX	7544	0.6
	Flair	05/12→	CR7HSA	4549			CR7HIX	7544	0.6
	Ghost, Nitro, Pioneer, Strike (2-Stroke)	06/06→09	BPR7HS	6422			BPR7HIX	5944	0.6
	Phoenix	05/12→	BPR7HS	6422			BPR7HIX	5944	0.6
110	Breeze	06/06→09	CR7HSA	4549			CR7HIX	7544	0.6
125	Apache, Blade, Max, Stealth, Vista	12/07→	CR8E	1275			CR8EIX	4218	0.7
	Eagle, Matrix, Matrix II, Nitro, Pioneer, Sublime (4-Stroke)	01/07→	CR7HSA	4549			CR7HIX	7544	0.6
	Eco City	01/10→	CR7HSA	4549			CR7HIX	7544	0.6
	Spirit	05/12→	CR7HSA	4549			CR7HIX	7544	0.6
	Trackstar	05/10→	CR8E	1275			CR8EIX	4218	0.7
200	Apache, Blade	12/07→09	DR8ES-L	2923	DR8EVX	6354	DR8EIX	6681	0.7

<b>SKYTEAM</b>									
125	Wacky ST125/Y		C7HSA	4629			CR7HIX	7544	0.7

<b>SMC</b>									
50	NAF 50 Navigator		BPR7HS	6422			BPR7HIX	5944	0.6
	NGF 50 Sports Force		BPR7HS	6422			BPR7HIX	5944	0.6
	NKF 50 on/off road		BPR7HS	6422			BPR7HIX	5944	0.6
	NLFR 50 Caprillio		BPR7HS	6422			BPR7HIX	5944	0.6
	PAF 50 Partner		BPR7HS	6422			BPR7HIX	5944	0.6
	SBF 50 Super		BPR7HS	6422			BPR7HIX	5944	0.6
90	NGN 90 Sports Force		BPR7HS	6422			BPR7HIX	5944	0.6
	SBN 90 Super		BPR7HS	6422			BPR7HIX	5944	0.6
100	NKO 100 on/off road		BPR7HS	6422			BPR7HIX	5944	0.6
	SBO 100 Super		BPR7HS	6422			BPR7HIX	5944	0.6
125	CHP 125 Chopper		DR8EA	7162	DR8EVX	6354	DR8EIX	6681	0.7

<b>SUPERBYKE</b>									
50	M-PED 50	06→	CR7HSA	4549			CR7HIX	7544	0.6
	Powerband 50 (2-Stroke) Ø14mm Plug	06→	BPR7HS	6422			BPR7HIX	5944	0.6
	Powermax 50 (2-Stroke) Ø14mm Plug	08→	BPR7HS	6422			BPR7HIX	5944	0.6
125	Powerband 125	06→	CR7HSA	4549			CR7HIX	7544	0.6
	RBP125	06→	D8EA	2120			DR8EIX	6681	0.7
	RMR125		CR8E	1275			CR8EIX	4218	0.7
	SMax125	08→	CR7HSA	4549			CR7HIX	7544	0.6

<b>SUZUKI</b>									
50	AE50 L, M, N, P, R, T	90→99	BPR6HS	7022			BPR6HIX	4085	0.6
	AH50	93→96	BPR6HS	7022			BPR6HIX	4085	0.6
	AP50 T, V, W	96→02	BPR6HS	7022			BPR6HIX	4085	0.7
	AY50 Katana/Sport W, Y, WRX, WRY, WR K1-K4		BPR6HS	7022			BPR6HIX	4085	0.8
	AY50-W K4		BPR6HS	7022			BPR6HIX	4085	0.8
	AY50A K5	05→	CPR8E	7411			CR8EIX	4218	0.8
	CL50D, CS50D, FS50 Snip		BPR4HS	7823					0.7
	CP50	85→92	BPR6HS	7022			BPR6HIX	4085	0.6
	DR50		BR7HS	4122			BR7HIX	7067	0.6
	FR50	81→86	BPR4HS	7823					0.7
	FZ50 Suzy	80→86	BPR4HS	7823					0.7
	JR50 K4		BPR4HS	7823					0.7
	RM50-C/N/T/X/Z		B7HS	5110			BR7HIX	7067	0.6
	RMX 50		BPR8ES	3923			BPR8EIX	6684	0.7
	SMX 50		BPR8ES	3923			BPR8EIX	6684	0.7





CC	MODEL	DATE	STANDARD COPPER CORE	STOCK NUMBER	PLATINUM OR GOLD PALLADIUM	STOCK NUMBER	IRIDIUM	STOCK NUMBER	GAP MM
<b>SUZUKI (CONTINUED)</b>									
50	TR50S	97→00	BPR6HS	7022			BPR6HIX	4085	0.6
	TS50 X/ER/XKE-G-H-J-M-R	84→	BPR6ES	7822			BPR6EIX	6637	0.7
	TS50 /ER/K/N		BP6HS	4511			BPR6HIX	4085	0.7
	UF 50 Estilete	99→01	BPR7HS	6422			BPR7HIX	5944	0.6
	UX50W-X-Y Zillion	99→01	BPR6HS	7022			BPR6HIX	4085	0.6
	ZR50-L/X1/SKE	83→	BP6ES	7811	BP6EVX	5832	BPR6EIX	6637	0.7
65	RM65 K3-K5		B10EG	3630	B10EGV	5927	BR10EIX	6801	0.6
70	DR-Z70	08→	CR7HSA	4549			CR7HIX	7544	0.6
80	CP80	85→94	BPR6HS	7022			BPR6HIX	4085	0.7
	CS80CD	83→87	BPR6HS	7022			BPR6HIX	4085	0.7
	FR80D	84→87	BPR6HS	7022			BPR6HIX	4085	0.7
	RM80T		B10EG	3630	B10EGV	5927	BR10EIX	6801	0.6
	RM80X G, H, J, K, L		B9EG	3530	B9EGV	5827	BR9EIX	3981	0.7
	RM80X M, N, P, R, S, T, V		B10EG	3630	B10EGV	5927	BR10EIX	6801	0.7
	RM80 K1	00→	BR10ES	4832			BR10EIX	6801	0.8
85	RM85 /L K3-K5	03→	BR10ES	4832			BR10EIX	6801	0.8
100	AH100	94→97	BPR7HS	6422			BPR7HIX	5944	0.6
	GP100 All models	78→92	B8HS	5510	B8HVX	2634	BR8HIX	7001	0.7
	RM100 K4	04→	R6252K-105	2741					0.7
	TS100ER, TS100ERZ	78→89	B8ES	2411			BR8EIX	5044	0.7
110	UG 110 Hokuto	99→02	BPR7HS	6422			BPR7HIX	5944	0.6
125	Address 125	07→	CR8E	1275			CR8EIX	4218	0.7
	AN125 S	95→96	CR8E	1275			CR8EIX	4218	0.6
	AN125 T,V,W	96→11/98	CR7E	4578			CR7EIX	7385	0.6
	AN125 X	11/98→	CR8E	1275			CR8EIX	4218	0.7
	CS125D	83→87	D8EA	2120	DR8EVX	6354	DR8EIX	6681	0.7
	DR125 SEX-SEY	99→01	DR8EA	7162	DR8EVX	6354	DR8EIX	6681	0.7
	DR125S D/F/H/J	82→94	DR8ES-L	2923	DR8EVX	6354	DR8EIX	6681	0.7
	DR125SM	08→	CR8E	1275			CR8EIX	4218	0.7
	DRZ125	10→	DR8EA	7162	DR8EVX	6354	DR8EIX	6681	0.7
	GN125 W-X	93→01	DR8EA	7162	DR8EVX	6354	DR8EIX	6681	0.7
	GP125 All models	78→89	B8HS	5510	B8HVX	2634	BR8HIX	7001	0.7
	GS125ES, D All models		DR8ES-L	2923	DR8EVX	6354	DR8EIX	6681	0.7
	GT125		B8HS	5510	B8HVX	2634	BR8HIX	7001	0.7
	GZ125 W, X, Y, K1-K3 Marauder	98→	DR8EA	7162	DR8EVX	6354	DR8EIX	6681	0.6
	GZ125 K4-K5	04→	CR8E	1275			CR8EIX	4218	0.7
	RG125 UC, G, H, J, J2	85→94	BR8ES	5422			BR8EIX	5044	0.6
	RG125FU-N, P, R	91→95	BR9ECM	3252	BR9ECMVX	2434	BR9ECMIX	2707	0.7
	RG125U Wolf	91→95	BR9ECM	3252	BR9ECMVX	2434	BR9ECMIX	2707	0.6
	RM125 E, F, G, H, J		BR9EG	3230			BR9EIX	3981	0.5
	RM125 K, L, M		B9EG	3530	B9EGV	5827	BR9EIX	3981	0.5
	RM125 N, R, S				R4118S-9	3245			0.6
	RM125 T, V, W, K1-K8				R6918B-8	4492			0.6
	RV125 Van Van K4-K5	03→	CR8E	1275			CR8EIX	4218	0.7
	TS125 (A/B)		B8HS	5510	B8HVX	2634	BR8HIX	7001	0.7
	TS125 (C,ER/X/Z/D/XUE/XE)		B8ES	2411			BR8EIX	5044	0.7
	TS125R K, L, M, N, P, R	90→96	BR9ES	5722			BR9EIX	3981	0.7
	UC125 X Epicuro	99→02	CR8E	1275			CR8EIX	4218	0.7
	UH125 K2-L4 Burgman	02→	CR8E	1275			CR8EIX	4218	0.7
	UX125 Sixteen 125	07→	CR8E	1275			CR8EIX	4218	0.7
	VL125 Y, K1-K5 Intruder	99→08	CR8E	1275			CR8EIX	4218	0.7
200	AN200 K7 Burgman	07→	CR8EK	3478			CR8EIX	4218	0.7
	DR200S		DR8ES-L	2923	DR8EVX	6354	DR8EIX	6681	0.6
	GT200X5		B8ES	2411			BR8EIX	5044	0.7
	SB200	79→83	B8ES	2411			BR8EIX	5044	0.7
250	AN250 W, X, Y, K1-K3 Burgman	→03	CR8EK	3478			CR8EIX	4218	0.7
	AN250 K4-K5 Burgman	04→	CR7EK	7546			CR7EIX	7385	0.7
	GN250 F, J, K, L, M, N, P, R, T	87→97	DR8EA	7162	DR8EVX	6354	DR8EIX	6681	0.6
	GS250T, T/X	80→84	DR8ES	5423	DR9EVX	6361	DR9EIX	4772	0.7
	GSX250E T, X, Z	80→85	DR8ES	5423	DR9EVX	6361	DR9EIX	4772	0.7
	GT250A/B/C (½", 12.7mm Thread Reach)		B8HS	5510	B8HVX	2634	BR8HIX	7001	0.7
	GT250A/B/C (¾", 19mm Thread Reach)		B9ES	2611	B9EVX	7254	BR9EIX	3981	0.7
	GT250K, L, M		B8ES	2411			BR8EIX	5044	0.7



CC	MODEL	DATE	STANDARD COPPER CORE	STOCK NUMBER	PLATINUM OR GOLD PALLADIUM	STOCK NUMBER	IRIDIUM	STOCK NUMBER	GAP MM
<b>SUZUKI (CONTINUED)</b>									
250	GT250X7 EN/EX	78→83	B9ES	2611	B9EVX	7254	BR9EIX	3981	0.7
	GW250 L2 Inazuma, Z	12→	CR7E	4578			CR7EIX	7385	0.7
	PE250 B/C		B8EG	3430	B8EGV	5627	BR8EIX	5044	0.5
	PE250 N/T/X/Z		BR10EG	3830			BR10EIX	6801	0.6
	RG250 Gamma	83→89	BR9ES	5722			BR9EIX	3981	0.7
	RGV250K, L	89→90	BR9ES	5722			BR9EIX	3981	0.7
	RGV250M, N, P, R	90→97	BR9ECM	3252	BR9ECMVX	2434	BR9ECMIX	2707	0.6
	RM250 E, F, G, H, J, K, L, M		B8EG	3430	B8EGV	5627	BR8EIX	5044	0.5
	RM250 N, P, R, S	92→95			R4118S-8	3236			0.6
	RM250T, V, W	96→99			R6918B-7	6259			0.6
	RM250 K1-K5	01→05	BR8EG	3130			BR8EIX	5044	0.6
	RM250Z/D		B8EG	3430	B8EGV	5627	BR8EIX	5044	0.5
	RMX250K, L, M, N, S	89→95			B8EGV	5627	BR8EIX	5044	0.5
	RMX250RP						BR9EIX	3981	0.5
	RMX250T						BR9EIX	3981	0.5
	RM-Z250 K4-K5 (4-Stroke)	04→06	CR8EB	7784			CR8EIX	4218	0.7
	RM-Z250 K7-L3 (4-Stroke)	07→					CR8EIA-10	4708	1.0
	TS250 X	85→89	BR8ES	5422			BR8EIX	5044	0.6
	TS250ER N/T/X	79→83	BP7ES	2412	BP7EVX	7270	BPR7EIX	4055	0.7
	TU250 X, V, W	97→00	DR8EA	7162	DR8EVX	6354	DR8EIX	6681	0.6
350	DR350S L, M, N, P	91→	DPR9EA-9	5329			DPR9EIX-9	5545	0.9
	DR350SE S, V, W, X	95→99	CR9EK	4548			CR9EIX	3521	0.7
	DR350-S-R	94→	CR9EK	4548			CR9EIX	3521	0.7
380	GT380	72→78	B8ES	2411			BR8EIX	5044	0.7
400	AN400 X, Y, K1-K6 Burgman	99→07	CR7E	4578			CR7EIX	7385	0.7
	AN400 K7-L4 Burgman, Z	10/07→	CR7E	4578			CR7EIX	7385	0.7
	DR400	80→82	DR8ES-L	2923	DR8EVX	6354	DR8EIX	6681	0.7
	DR-Z400E Y, K1-K5, DR-Z400S Y, K1-K5	99→07	CR8E	1275			CR8EIX	4218	0.7
	DR-Z400SM K5-K7	05→07	CR8E	1275			CR8EIX	4218	0.7
	GN400T	80→82	DR8ES-L	2923	DR8EVX	6354	DR8EIX	6681	0.7
	GS400, B/C		B8ES	2411			BR8EIX	5044	0.7
	GSF400M/N	91→	CR8EK	3478			CR8EIX	4218	0.7
	GSF400P-R	93→95	CR9EK	4548			CR9EIX	3521	0.7
	GSX400E T/X, GSX400F, X/Z/D	80→	DR8ES-L	2923	DR8EVX	6354	DR8EIX	6681	0.7
	GSX-R400H	86→	C8HSA	6821	CR8HVX	7236	CR8HIX	7669	0.6
	PE400T/X/Z		BR9EG	3230			BR9EIX	3981	0.7
	SP400	80→82	DR8ES-L	2923	DR8EVX	6354	DR8EIX	6681	0.7
450	GS450	85→	B8ES	2411			BR8EIX	5044	0.7
	RMX450Z L0	10→					CR8EIB-10	4948	1.0
	RM-Z450 K4-K6 (4-Stroke)	04→06					CR8EIB-10	4948	1.0
	RM-Z450/Z K7-L3 (4-Stroke)	07→					DIMR8A10	5066	1.0
500	GS500E K, L, M, N, P, R, S, T, V, W, X, Y, K1-K3	89→05	DPR8EA-9	4929			DPR8EIX-9	2202	0.9
	GS500E / F K4-K9	04→09	DPR8EA-9	4929			DPR8EIX-9	2202	0.9
	GT500	75→77	B7HS	5110			BR7HIX	7067	0.6
	RG500 Gamma	85→89	BR9ES	5722			BR9EIX	3981	0.6
	RM500D	83→85	B8EG	3430	B8EGV	5627	BR8EIX	5044	0.6
	T500	68→75	B8HS	5510	B8HVX	2634	BR8HIX	7001	0.6
550	GS550 All models	77→85	B8ES	2411			BR8EIX	5044	0.7
	GSX550 EE/ESD/ESE/EFE	83→88	DR8ES	5423	DR9EVX	6361	DR9EIX	4772	0.7
600	GSF600 S, T, V, W, Y, K1-K4 Bandit Naked (Unfaired)	95→05	CR9EK	4548			CR9EIX	3521	0.7
	GSF600S T, V, W, Y, K1-K4 Bandit (Faired)	95→05	CR9EK	4548			CR9EIX	3521	0.7
	GSR600/S K6-K9	06→	CR9E	6263			CR9EIX	3521	0.7
	GSX600F J, K, L, M, N, P, R, S, V	88→97	DR8ES	5423	DR9EVX	6361	DR9EIX	4772	0.7
	GSX600F T, V, W, X, Y, K1-K4	97→04	CR9EK	4548			CR9EIX	3521	0.7
	GSX-R600 V, W, X, K1-K7	97→07	CR9E	6263			CR9EIX	3521	0.6
	GSX-R600 K8-L4 (Inlc. Tyco)	08→					CR9EIA-9	6289	0.9
	RF600R P/R/S/V	93→97	CR9E	6263			CR9EIX	3521	0.7
VS600 GLS	95→97	DPR8EA-9	4929			DPR8EIX-9	2202	0.9	
650	AN650 K3-K5 Burgman		CR8E	1275			CR8EIX	4218	0.7
	AN650A K4-K9, AL1-L2 Burgman	04→	CR8E	1275			CR8EIX	4218	0.7
	DL650 K4-K5 V-Strom	03→	CR8E	1275			CR8EIX	4218	0.7
	DL650A V-Strom XP	2010	CR8E	1275			CR8EIX	4218	0.7
	DL650AL1 V-Strom 650 ABS	2011	CR8E	1275			CR8EIX	4218	0.7
	DL650AL2 V-Strom 650 ABS	12→					CR8EIA-9	4286	0.9



CC	MODEL	DATE	STANDARD COPPER CORE	STOCK NUMBER	PLATINUM OR GOLD PALLADIUM	STOCK NUMBER	IRIDIUM	STOCK NUMBER	GAP MM
<b>SUZUKI (CONTINUED)</b>									
650	DR650RSE Models and RE models	91→95	DPR9EA-9	5329			DPR9EIX-9	5545	0.9
	DR650SET	95→97	CR10E	6264			CR10EIX	6482	0.7
	GS650 All models (Incl. Katana)	81→	DR8ES-L	2923	DR8EVX	6354	DR8EIX	6681	0.7
	GSF650 K5, K6 Bandit	05→06	CR8EK	3478			CR8EIX	4218	0.7
	GSF650 K7-L0 Bandit (Liquid Cooled)	07→	CR9E	6263			CR9EIX	3521	0.6
	GSX650F	08→	CR8E	1275			CR8EIX	4218	0.7
	LS650 All models	87→98	DPR8EA-9	4929			DPR8EIX-9	2202	0.9
	SFV650 Gladius	09→					CR8EIA-9	4286	0.9
	SV650, SV650S X/Y/K1-K8	99→08	CR8E	1275			CR8EIX	4218	0.7
XF650 V-W-X-Y Freewind	97→02	CR10E	6264			CR10EIX	6482	0.7	
670	XN85 650 Turbo	83→86	DR8ES	5423	DR9EVX	6361	DR9EIX	4772	0.7
750	DR750 SJ/SK	88→90	DPR9EA-9	5329			DPR9EIX-9	5545	0.9
	GSR750 (Incl. GSR750Z)	11→					CR9EIA-9	6289	0.9
	GSX750-W/X/Y/K1	97→	CR9EK	4548			CR9EIX	3521	0.7
	GSX750E T/EX/ESD/ESE/ESF/ESG	83→89	DR8ES-L	2923	DR8EVX	6354	DR8EIX	6681	0.7
	GSX750F K/L/M/N/P/R/S/T	89→96	JR9C	6193					0.7
	GSX750F W, X, Y, K1-K5	97→05	CR9EK	4548			CR9EIX	3521	0.7
	GSX-R750 F, G, H	85→88	DR8ES	5423	DR9EVX	6361	DR9EIX	4772	0.7
	GSX-R750 J, K	88→89	JR9C	6193					0.7
	GSX-R750 L, M	89→92	CR10EK	2360			CR10EIX	6482	0.7
	GSX-R750 WN, WP, WR, WS	91→96	CR9E	6263			CR9EIX	3521	0.7
	GSX-R750 T, V, W, X, Y, K1-K7	96→07	CR9E	6263			CR9EIX	3521	0.7
	GSX-R750 K8-L1	08→					CR9EIA-9	6289	0.9
	VS750GLP F, G, H, J, K, L, M	85→91	DPR8EA-9	4929			DPR8EIX-9	2202	0.9
800	DR800 SL, SM	90→92	DPR9EA-9	5329			DPR9EIX-9	5545	0.9
	VL800 K1-K5	01→05	DPR7EA-9	5129			DPR7EIX-9	7803	0.9
	VL800 K6 C800 Intruder	06→09	DPR7EA-9	5129			DPR7EIX-9	7803	0.9
	VL800 L0 Intruder C800	10→	DR7EA	7839					0.7
	VS800GL M, P, R, S, T, V	91→97	DPR8EA-9	4929			DPR8EIX-9	2202	0.9
	VX800 L/M/R	90→96	DPR8EA-9	4929			DPR8EIX-9	2202	0.9
	VZ800 V, W, X, Y, K1 Marauder	97→01	DPR8EA-9	4929			DPR8EIX-9	2202	0.9
	VZ800 K5→ Intruder M800	05→09	DPR7EA-9	5129			DPR7EIX-9	7803	0.9
	VZ800 L0 Intruder M800	10→	DR7EA	7839					0.7
850	GS850 GN/GT/GX/GZ/GD/GE/GG	79→88	B8ES	2411			BR8EIX	5044	0.7
900	RF900R R, S, T, V, W	94→99	CR9E	6263			CR9EIX	3521	0.7
1000	DL1000 K2-K4 V-Strom	02→	CR8EK	3478			CR8EIX	4218	0.7
	GS1000 EC/EN/ET/GT/GX/SN	80→	B8ES	2411			BR8EIX	5044	0.7
	GSX1000 SZ/SD	81→85	DR8ES-L	2923	DR8EVX	6354	DR8EIX	6681	0.7
	GSX-R1000 K1-K6	00→06	CR9E	6263			CR9EIX	3521	0.7
	GSX-R1000 K6 Phantom	06→	CR9E	6263			CR9EIX	3521	0.7
	GSX-R1000 K7-L2	07→					CR9EIA-9	6289	0.9
	GSX-R1000ZSE	2014					CR9EIA-9	6289	0.9
	SV1000/S K3-K5	03→05	CR8EK	3478			CR8EIX	4218	0.7
	SV1000 Classic	07→08	CR8EK	3478			CR8EIX	4218	0.7
	TL1000R W, Y, K1-K3	98→03	CR9EK	4548			CR9EIX	3521	0.7
	TL1000S V, W, X, Y	97→01	CR8EK	3478			CR8EIX	4218	0.7
1100	GS1100GZ		B8ES	2411			BR8EIX	5044	0.7
	GSX1100 ET/X/Z/S/ESD,SZ,SD (Katana)	79→85	DR8ES-L	2923	DR8EVX	6354	DR8EIX	6681	0.7
	GSX1100 EFE/EF/EFF/EG/EEG	84→88	DR8ES	5423	DR9EVX	6361	DR9EIX	4772	0.7
	GSX1100 FJ, FK, FL, FM, FN, FP, FR, FS	87→96	JR9B	3188	DR9EVX	6361	DR9EIX	4772	0.6
	GSX1100 GM, GN, GP, GR	91→94	JR9B	3188	DR9EVX	6361	DR9EIX	4772	0.6
	GSX-R1100 G, H, J	86→89	JR9B	3188	DR9EVX	6361	DR9EIX	4772	0.6
	GSX-R1100 K, L, M, N	89→93	JR9B	3188	DR9EVX	6361	DR9EIX	4772	0.6
	GSX-R1100 W-P, R, S, T	93→96	CR9E	6263			CR9EIX	3521	0.7
1200	GSF1200S T, V, W, X, Y, K1-K6 Bandit (Faired)	96→	JR9B	3188	DR9EVX	6361	DR9EIX	4772	0.6
	GSF1200 T, V, W, X, Y, K1-K6 Bandit Naked (Unfaired)	96→	JR9B	3188	DR9EVX	6361	DR9EIX	4772	0.6
1250	GSF1250/SA K7 Bandit	07→	CR7E	4578			CR7EIX	7385	0.8
1255	GSX1250FA Bandit (Incl. GSX1250FA Z)	10→	CR7E	4578			CR7EIX	7385	0.7
1300	GSX1300 B-King	07→					CR9EIA-9	6289	0.9
	GSX1300R X, Y, K1-K5 Hayabusa	99→07	CR9E	6263			CR9EIX	3521	0.7
1340	GSX1300R Hayabusa	08→					CR9EIA-9	6289	0.9
1400	GSX1400 K2-K6	01→06	CR8EK	3478			CR8EIX	4218	0.7
	VS1400GLP-H, J, R, S, T, V, W (Intruder)	87→99	DPR8EA-9	4929			DPR8EIX-9	2202	0.9



CC	MODEL	DATE	STANDARD COPPER CORE	STOCK NUMBER	PLATINUM OR GOLD PALLADIUM	STOCK NUMBER	IRIDIUM	STOCK NUMBER	GAP MM
<b>SUZUKI (CONTINUED)</b>									
1500	C1500T Intruder	13→	CPR6EA-9	6899					0.9
	VL1500 LC/X	98→03	DPR7EA-9	5129			DPR7EIX-9	7803	0.9
	VL1500 →K5	→05	DPR7EA-9	5129			DPR7EIX-9	7803	0.9
	VZ1500 L0 Intruder M1500	10→	CR6E	6965					0.7
1600	VZ1600 K4-K5	03→04	DPR6EA-9	5531					0.9
1800	VLR1800 C1800R/RT Intruder	08→	CR8EK	3478			CR8EIX	4218	0.7
	VZR1800 K6 M1800R Intruder	06→	CR8EK	3478			CR8EIX	4218	0.7

<b>SWM</b>									
125	125TLM	77→84	BP5ES	6511			BPR5EIX	6597	0.4
200	TL200	→84	BP5ES	6511			BPR5EIX	6597	0.4
240	TL240	82→84	BP5ES	6511			BPR5EIX	6597	0.4
320	320TLM	77→84	BP5ES	6511			BPR5EIX	6597	0.4
350	TL350	83→84	BP5ES	6511			BPR5EIX	6597	0.4

<b>SYM</b>									
50	City Hopper	98→03	BR8HSA	5539			BPR8HIX	6742	0.6
	DD50 City Trek / Sport	02→	BR8HSA	5539			BPR8HIX	6742	0.6
	Fiddle	98→	BR8HSA	5539			BPR8HIX	6742	0.6
	Fiddle II 50	08→	BR8HSA	5539			BPR8HIX	6742	0.7
	Jet 50	98→	BR8HSA	5539			BPR8HIX	6742	0.6
	Jet 50 Sport X S/SE/SR/XS	06→	BR8HSA	5539			BPR8HIX	6742	0.7
	Jungle	98→02	BR8HSA	5539			BPR8HIX	6742	0.6
	Mask	98→	BR8HSA	5539			BPR8HIX	6742	0.6
	Mio 50	06→	CR6HSA	2983			CR6HIX	7274	0.7
	Red Devil	98→	BR8HSA	5539			BPR8HIX	6742	0.6
	Simply 50	08→	CR7HSA	4549			CR7HIX	7544	0.7
	Super Fancy	98→03	BR8HSA	5539			BPR8HIX	6742	0.6
100	Jet 100	99→	BR8HSA	5539			BPR8HIX	6742	0.6
	Jet 100 Sport X S/SR Jet		BR8HSA	5539			BPR8HIX	6742	0.6
	Mio 100		CR6HSA	2983			CR6HIX	7274	0.7
125	Attila, Super Duke	98→00	CR7HSA	4549			CR7HIX	7544	0.6
	Euro MX 125	05→	CR8E	1275			CR8EIX	4218	0.7
	Fiddle II 125	08→	CR7HSA	4549			CR7HIX	7544	0.6
	GTS Voyager 125	05→	CR8E	1275			CR8EIX	4218	0.8
	HD Orbit 125	04→	CR8E	1275			CR8EIX	4218	0.7
	Husky	98→	DR8EA	7162	DR8EVX	6354	DR8EIX	6681	0.6
	Joyride 125 (12.7mm Thread Reach)	02→04	CR7HSA	4549			CR7HIX	7544	0.6
	Joyride 125 (19mm Thread Reach)	05→	CR8E	1275			CR8EIX	4218	0.7
	Megalo 125	01→	CR7HSA	4549			CR7HIX	7544	0.6
	Shark 125 / R	99→05	CR8E	1275			CR8EIX	4218	0.8
	Simply 125	08→	CR7HSA	4549			CR7HIX	7544	0.7
	Voyager 125		CR8E	1275			CR8EIX	4218	0.7
	VS 125	06→	CR8E	1275			CR8EIX	4218	0.7
	Wolf 125		DR7EA	7839					0.7
	XS 125		DR7EA	7839					0.7
180	HD Orbit 180	04→	CR8E	1275			CR8EIX	4218	0.7
	Joyride 180	02→	CR8E	1275			CR8EIX	4218	0.7
200	HD Orbit 200		CR8E	1275			CR8EIX	4218	0.7
	Joyride 200		CR8E	1275			CR8EIX	4218	0.7
250	GTS Voyager 250	05→	CR8E	1275			CR8EIX	4218	0.7
300	Citycom 300	08→	CR8E	1275			CR8EIX	4218	0.7
	GTS 300		CR8E	1275			CR8EIX	4218	0.7
500	500 GT/XP	04→	CR7EKB	4455			CR7EIX	7385	0.8

<b>TGB</b>									
50	202 Classic	02→	BPR7HS	6422			BPR7HIX	5944	0.5
	302 Sport	02→	BPR7HS	6422			BPR7HIX	5944	0.5
	303R Hawk	04→	BPR7HS	6422			BPR7HIX	5944	0.5
	AKROStec	03→05	BPR7HS	6422			BPR7HIX	5944	0.5



CC	MODEL	DATE	STANDARD COPPER CORE	STOCK NUMBER	PLATINUM OR GOLD PALLADIUM	STOCK NUMBER	IRIDIUM	STOCK NUMBER	GAP MM
<b>TGB (CONTINUED)</b>									
50	Delivery 50	03→	BPR7HS	6422			BPR7HIX	5944	0.5
	R50X	05→	BPR7HS	6422			BPR7HIX	5944	0.5
125	204 Classic	02→07	CR7HSA	4549			CR7HIX	7544	0.7
	303R Hawk	07→	CR7HSA	4549			CR7HIX	7544	0.7
	304 Sport	02→	CR7HSA	4549			CR7HIX	7544	0.7
	404 Executive	02→07	CR7HSA	4549			CR7HIX	7544	0.7
	Delivery 125	05→	CR7HSA	4549			CR7HIX	7544	0.7
	R125X	08→	CR7HSA	4549			CR7HIX	7544	0.7

<b>TOMOS</b>									
50	A3/A5K	84→96	B6HS	4510			BR6HIX	3419	0.5
	AT50, ATX50, NTX50	86→91	B6HS	4510			BR6HIX	3419	0.5

<b>TRIUMPH PRE-1989</b>									
250-500	Twins with 3/4", 19mm Thread Reach		B8ES	2411			BR8EIX	5044	0.6
650	T120, R, V Bonneville	→68	B7ES	1111			BR7EIX	6664	0.6
	T120, R, V Bonneville	68→74	B8ES	2411			BR8EIX	5044	0.6
	TR6 (12.7mm Thread Reach)	56→60	B7HS	5110			BR7HIX	7067	0.6
	TR6 Thunderbird/Daytona	67→73	B6ES	7310					0.6
	TR6C Trophy (19mm Thread Reach)	67→73	B8ES	2411			BR8EIX	5044	0.6
	TR65 Thunderbird	81→83	B6ES	7310					0.6
750	T140E, T140D Bonneville, TSX4	78→	B6ES	7310					0.6
	T140V Bonneville	73→88	B8ES	2411			BR8EIX	5044	0.6
	T150/160 Trident (Incl. BSA, A75 and Rocket 3)	→75	B8ES	2411			BR8EIX	5044	0.6
	TR7T Tiger Trail	81→82	B6ES	7310					0.6
	TSX8, TSS		C8E	7471			CR8EIX	4218	0.6

<b>TRIUMPH 1991-ON</b>									
600	Daytona 600	03→04	CR9EK	4548			CR9EIX	3521	0.7
	TT 600	99→03	CR9EK	4548			CR9EIX	3521	0.7
	Speed Four	02→	CR9EK	4548			CR9EIX	3521	0.7
650	Daytona 650	04→05	CR9EK	4548			CR9EIX	3521	0.7
675	Daytona 675 Triple	05→08	CR9EK	4548			CR9EIX	3521	0.7
	Daytona 675 Triple	12/08→12	CR9EK	4548			CR9EIX	3521	0.7
	Daytona 675 (Incl R)	13→					CR9EIA-9	6289	0.9
	Street Triple	07→	CR9EK	4548			CR9EIX	3521	0.7
	Street Triple R	08→	CR9EK	4548			CR9EIX	3521	0.7
750	Trident, Daytona	91→98	DPR8EA-9	4929			DPR8EIX-9	2202	0.9
790	America	04→06	DPR8EA-9	4929			DPR8EIX-9	2202	0.9
	Bonneville (Incl. Black)	00→06	DPR8EA-9	4929			DPR8EIX-9	2202	0.9
	Bonneville America	01→06	DPR8EA-9	4929			DPR8EIX-9	2202	0.9
	Bonneville T100	02→04	DPR8EA-9	4929			DPR8EIX-9	2202	0.9
	Speedmaster	02→	DPR8EA-9	4929			DPR8EIX-9	2202	0.9
799	Tiger 800, Tiger 800 XC (Incl. ABS & SE)	11→	CR9EK	4548			CR9EIX	3521	0.7
865	America 900	06→	DPR8EA-9	4929			DPR8EIX-9	2202	0.9
	America LT	14→	DPR8EA-9	4929			DPR8EIX-9	2202	0.9
	Bonneville 900 (Incl. Black)	06→	DPR8EA-9	4929			DPR8EIX-9	2202	0.9
	Bonneville SE	12/08→	DPR8EA-9	4929			DPR8EIX-9	2202	0.9
	Bonneville T100 (Incl. SE)	04→	DPR8EA-9	4929			DPR8EIX-9	2202	0.9
	Bonneville T100 50th SE	07/2014	DPR8EA-9	4929			DPR8EIX-9	2202	0.9
	Scrambler	05→	DPR8EA-9	4929			DPR8EIX-9	2202	0.9
	Speedmaster	05→	DPR8EA-9	4929			DPR8EIX-9	2202	0.9
	Thrupton 900	03→	DPR8EA-9	4929			DPR8EIX-9	2202	0.9
	Thrupton SE	10→	DPR8EA-9	4929			DPR8EIX-9	2202	0.9
	885	Adventurer	96→01	DPR8EA-9	4929			DPR8EIX-9	2202
Daytona, Daytona Super III		91→96	DPR8EA-9	4929			DPR8EIX-9	2202	0.9
Legend TT		98→01	DPR8EA-9	4929			DPR8EIX-9	2202	0.9
Speed Triple		94→96	DPR8EA-9	4929			DPR8EIX-9	2202	0.9
Sprint		91→96	DPR8EA-9	4929			DPR8EIX-9	2202	0.9
T509 Speed Triple		96→10/98	DPR8EA-9	4929			DPR8EIX-9	2202	0.9



CC	MODEL	DATE	STANDARD COPPER CORE	STOCK NUMBER	PLATINUM OR GOLD PALLADIUM	STOCK NUMBER	IRIDIUM	STOCK NUMBER	GAP MM
<b>TRIUMPH 1991-ON (CONTINUED)</b>									
885	T709 Tiger	98→	DPR8EA-9	4929			DPR8EIX-9	2202	0.9
	Thunderbird	95→04	DPR8EA-9	4929			DPR8EIX-9	2202	0.9
	Thunderbird Sport	98→04	DPR8EA-9	4929			DPR8EIX-9	2202	0.9
	Tiger	91→98	DPR8EA-9	4929			DPR8EIX-9	2202	0.9
	Trident	91→98	DPR8EA-9	4929			DPR8EIX-9	2202	0.9
	Trophy	91→01	DPR8EA-9	4929			DPR8EIX-9	2202	0.9
955	Daytona 955i (Ø12mm Plug)	98→01	DPR8EA-9	4929			DPR8EIX-9	2202	0.9
	Daytona 955i (Ø10mm Plug)	01→06	CR9EK	4548			CR9EIX	3521	0.7
	Speed Triple (Ø12mm Plug)	10/98→01	DPR8EA-9	4929			DPR8EIX-9	2202	0.9
	Speed Triple (Ø10mm Plug)	01→04	CR9EK	4548			CR9EIX	3521	0.7
	Sprint RS (Ø12mm Plug)	99→00	DPR8EA-9	4929			DPR8EIX-9	2202	0.9
	Sprint RS (Ø10mm Plug)	01→05	CR9EK	4548			CR9EIX	3521	0.7
	Sprint ST (Ø12mm Plug)	98→00	DPR8EA-9	4929			DPR8EIX-9	2202	0.9
	Sprint ST (Ø10mm Plug)	01→	CR9EK	4548			CR9EIX	3521	0.7
	T595 Daytona	97→98	DPR8EA-9	4929			DPR8EIX-9	2202	0.9
	Tiger EFI	00→07	DPR8EA-9	4929			DPR8EIX-9	2202	0.9
1000	Daytona	91→93	DPR8EA-9	4929			DPR8EIX-9	2202	0.9
1050	Speed Triple (Incl. R)	05→	CR8EK	3478			CR8EIX	4218	0.7
	Sprint GT	10→	CR8EK	3478			CR8EIX	4218	0.7
	Sprint ST (Incl. ABS)	04→	CR8EK	3478			CR8EIX	4218	0.7
	Tiger (Incl. ABS)	06→	CR8EK	3478			CR8EIX	4218	0.7
	Tiger Sport	13→	CR8EK	3478			CR8EIX	4218	0.7
1180	Daytona 1200	91→00	DPR8EA-9	4929			DPR8EIX-9	2202	0.9
	Trophy 1200	91→03	DPR8EA-9	4929			DPR8EIX-9	2202	0.9
1215	Tiger Explorer	12→	CR8EK	3478			CR8EIX	4218	0.7
	Trophy (Incl. SE)	11/12→	CR8EK	3478			CR8EIX	4218	0.7
1600	Thunderbird (Twin Spark)	09→	DPR6EA-9	5531					0.9
1700	Thunderbird Commander (Twin Spark)	03/14→	DPR6EA-9	5531					0.9
	Thunderbird LT (Twin Spark)	03/14→	DPR6EA-9	5531					0.9
	Thunderbird Storm (Twin Spark)	11→	DPR6EA-9	5531					0.9
2300	Rocket III (Twin Spark)	04→	DPR7EA-9	5129			DPR7EIX-9	7803	0.9
	Rocket III Classic (Twin Spark)	06→	DPR7EA-9	5129			DPR7EIX-9	7803	0.9
	Rocket III Touring (Twin Spark)	07→	DPR7EA-9	5129			DPR7EIX-9	7803	0.9

<b>URALMOTO</b>									
650	Cobra, Red Star, Voyage	→00	BP7HS	5111			BPR7HIX	5944	0.8
750	Classic, Wolf	00→07	BP6HS	4511			BPR6HIX	4085	0.6

<b>VERTEMATI</b>									
500	S501		CR9EK	4548			CR9EIX	3521	0.7
	SR501		CR9EK	4548			CR9EIX	3521	0.7
570	S570	03→	CR9EK	4548			CR9EIX	3521	0.7

**VESPA (SEE PIAGGIO)**

<b>VICTORY (POLARIS)</b>									
1507	V92C and all 92 cu.inch models	99→01	DCPR6E	3481					1.0
	V92C and all 92 cu.inch models	02→04	CPR6EB-9	5958					0.8
1634	Hammer, Kingpin, Touring Cruiser	05→08	CPR6EB-9	5958					0.9
	Hammer 8-Ball, Kingpin 8-Ball, Vegas, Vegas 8-Ball, Vegas Jackpot	05→	CPR6EB-9	5958					0.9
1731	Arlen Ness Vision, Cory Ness Jackpot	10→	DCPR6E	3481					0.8
	Broadwalk	13→	DCPR6E	3481					0.8
	Cross Country, Cross Country Tour, Cross Roads, Jackpot, Vision 8-Ball	10→	DCPR6E	3481					0.8
	Hammer/S, Vegas Jackpot, Vision Street/Tour	08→	DCPR6E	3481					0.8

**VIXEN (SEE BASHAN)**

## 2 Wheel



CC	MODEL	DATE	STANDARD COPPER CORE	STOCK NUMBER	PLATINUM OR GOLD PALLADIUM	STOCK NUMBER	IRIDIUM	STOCK NUMBER	GAP MM
<b>VOR</b>									
400	EN, MX, SM	00→	CR8EK	3478			CR8EIX	4218	0.7
503	EN, MX, SM	99→	CR8EK	3478			CR8EIX	4218	0.7
530	530 (2002)	02→	CR8EK	3478			CR8EIX	4218	0.7

## WHITE KNUCKLE (SEE WK)

<b>WK</b>									
50	Bellissima	13→	CR7HSA	4549			CR7HIX	7544	0.7
	Go 50	13→	CR7HSA	4549			CR7HIX	7544	0.7
	GP50 (Air Cooled)	10→	BPR7HS	6422			BPR7HIX	5944	0.6
	Mii 50	14→	CR7HSA	4549			CR7HIX	7544	0.7
	WASP R50	14→	CR7HSA	4549			CR7HIX	7544	0.7
125	Bellissima	14→	CR7HSA	4549			CR7HIX	7544	0.7

## WUYANG

50	WY50QT Scooter	06→	C7HSA	4629			CR7HIX	7544	0.6
125	WY125-12	06→	DPR8EA-9	4929			DPR8EIX-9	2202	0.9
	WY125-16C	06→	DPR8EA-9	4929			DPR8EIX-9	2202	0.9
	WY125-24B Cub	06→	C7HSA	4629			CR7HIX	7544	0.6

## XISPA

125	X125R	07→08	BP5ES	6511			BPR5EIX	6597	0.6
250	X250R	07→08	BP5ES	6511			BPR5EIX	6597	0.6
273	X280R	07→08	BP5ES	6511			BPR5EIX	6597	0.6

## YAMAHA

50	CA50 (Salient)	84→87	BP6HS	4511			BPR6HIX	4085	0.6
	CG50E Jog	88→92	BPR7HS	6422			BPR7HIX	5944	0.6
	CS50 Jog R (Air Cooled)	02→07	BR8HS	4322			BR8HIX	7001	0.6
	CS50 Jog-RR (Liquid Cooled 2-Stroke)	03→07	BR8HS	4322			BR8HIX	7001	0.7
	CS50Z Jog RR	07→	BR8HS	4322			BR8HIX	7001	0.7
	CW50 RSP (Spy)	96→	BR8HS	4322			BR8HIX	7001	0.6
	CW50/BW50 NG Bi-Wizz, Booster, Rocket	90→95	BPR7HS	6422			BPR7HIX	5944	0.6
	CW50/BW50 NG Bi-Wizz, Booster, Rocket	96→	BR8HS	4322			BR8HIX	7001	0.6
	CW50T/BW	90→95	BPR7HS	6422			BPR7HIX	5944	0.6
	CW50T/BW	96→	BR8HS	4322			BR8HIX	7001	0.6
	CY50 Jog-in	90→98	BPR7HS	6422			BPR7HIX	5944	0.5
	DT50	2004	BR7HS	4122			BR7HIX	7067	0.6
	DT50M/MX	86→95	BR7HS	4122			BR7HIX	7067	0.6
	DT50R		BR9ES	5722			BR9EIX	3981	0.7
	DT50SM	2004	BR9ES	5722			BR9EIX	3981	0.7
	EW 50 Slider / Stunt	00→02	BR9HS	4522			BR9HIX	5687	0.6
	FS1	87→91	BR7HS	4122			BR7HIX	7067	0.6
	FS1E		B7HS	5110			BR7HIX	7067	0.6
	LC50 Bop 2		BP4HS	3611					0.7
	MA50 M	86→93	BP4HS	3611					0.7
	MS50	85→87	BPR6HS	7022			BPR6HIX	4085	0.6
	PW50 H/J/K/L		BP4HS	3611					0.6
	PW50S		BPR4HS	7823					0.6
	QT50	86→93	BP4HS	3611					0.7
	RD50M/MX	86→89	B7HS	5110			BR7HIX	7067	0.6
	SA50 Pasola	82→86	BP4HS	3611					0.7
	T50	86→89	CR6HS	7023			CR6HIX	7274	0.6
	TT-R50E	06→	CR7HSA	4549			CR7HIX	7544	0.6
	TY50M		B7HS	5110			BR7HIX	7067	0.6
	TZR50 X-Power	03→04	BR9ES	5722			BR9EIX	3981	0.7
	U50/AD/C/E		B7HS	5110			BR7HIX	7067	0.6



CC	MODEL	DATE	STANDARD COPPER CORE	STOCK NUMBER	PLATINUM OR GOLD PALLADIUM	STOCK NUMBER	IRIDIUM	STOCK NUMBER	GAP MM
<b>YAMAHA (CONTINUED)</b>									
50	V50	83→86	BR6ES	4922					0.6
	V50FM		B7HS	5110			BR7HIX	7067	0.6
	V50MA		B6HS	4510			BR6HIX	3419	0.6
	XF50 Giggle	07→	CR7E	4578			CR7EIX	7385	0.8
	YH50 WHY	99→03	BR8HS	4322			BR8HIX	7001	0.6
	YN50 Neo's, Ovetto	98→08	BR7HS	4122			BR7HIX	7067	0.6
	YN50 Neo's Easy (2-Stroke)	13→	BR8HS	4322			BR8HIX	7001	0.6
	YN50 Neo's 4s	09→	CR7E	4578			CR7EIX	7385	0.8
	YQ50 Aerox, Nitro	98→07	BR8HS	4322			BR8HIX	7001	0.6
	YQ50 Aerox R	04→	BR8HS	4322			BR8HIX	7001	0.6
	YZ50H		B9ES	2611	B9EVX	7254	BR9EIX	3981	0.6
	ZE50 (Zest)	93→96	BR7HS	4122			BR7HIX	7067	0.6
70	V70		B7HS	5110			BR7HIX	7067	0.6
80	CV80	82→86	BPR6HS	7022			BPR6HIX	4085	0.6
	DT80MX	82→85	B8HS	5510	B8HVX	2634	BR8HIX	7001	0.6
	DT80MXS	86→87	BP8HS	2630			BPR8HIX	6742	0.6
	LB2-80 Chappy	81→85	B6HS	4510			BR6HIX	3419	0.6
	PW80K		BP6HS	4511			BPR6HIX	4085	0.6
	PW80S		BPR6HS	7022			BPR6HIX	4085	0.6
	RD80LC11A	82→84	B8ES	2411			BR8EIX	5044	0.6
	T80 Townmate	83→97	CR7HS	7223			CR7HIX	7544	0.6
	TY80B		B6HS	4510			BR6HIX	3419	0.6
	V80	79→87	BPR6HS	7022			BPR6HIX	4085	0.6
	YZ80 (1/2", 12.7mm Thread Reach)		B7HS	5110			BR7HIX	7067	0.5
	YZ80 (3/4", 19mm Thread Reach)	79→	BR9EG	3230			BR9EIX	3981	0.5
	YZ80 B		B8HS	5510	B8HVX	2634	BR8HIX	7001	0.6
	YZ80 C/D		B8ES	2411			BR8EIX	5044	0.6
YZ80 E/F		B10EG	3630	B10EGV	5927	BR10EIX	6801	0.5	
85	YZ85	03→	BR10EG	3830			BR10EIX	6801	0.6
90	TT90-R	03→	CR6HSA	2983			CR6HIX	7274	0.7
	V90		B7HS	5110			BR7HIX	7067	0.5
100	DT100 (C/X)		B7ES	1111			BR7EIX	6664	0.5
	DT100 (D/SD/E)		B8ES	2411			BR8EIX	5044	0.5
	DT100B		B8HS	5510	B8HVX	2634	BR8HIX	7001	0.5
	RS100 (B/X/DX/S)		B8HS	5510	B8HVX	2634	BR8HIX	7001	0.5
	RS100P		BP6HS	4511			BPR6HIX	4085	0.5
	RT100		B7ES	1111			BR7EIX	6664	0.6
	RXS100	83→97	BR8HS	4322			BR8HIX	7001	0.6
	YB100	87→92	B7HS	5110			BR7HIX	7067	0.5
	YN100 Neos, Ovetto	11/99→03	BR8HS	4322			BR8HIX	7001	0.5
	YQ100 Aerox, Nitro	00→04	BR8HS	4322			BR8HIX	7001	0.5
	YZ100H		B8EG	3430	B8EGV	5627	BR8EIX	5044	0.5
	YZ100K		B9EG	3530	B9EGV	5827	BR9EIX	3981	0.5
YZ100L		BR9EG	3230			BR9EIX	3981	0.6	
114	XC115S D'elight	14→	CR6HSA	2983			CR6HIX	7274	0.6
125	AS3		B8HS	5510	B8HVX	2634	BR8HIX	7001	0.6
	BL125 Beluga	85→87	BPR8HS	3725			BPR8HIX	6742	0.6
	Black X-max 125	09→	CPR9EA-9	2308			CR9EIX	3521	0.9
	BW's 125	10→	CR7E	4578			CR7EIX	7385	0.8
	DT125 (E/ED/MX)		B8ES	2411			BR8EIX	5044	0.5
	DT125LC	84→87	BR8ES	5422			BR8EIX	5044	0.6
	DT125R	88→04	BR9ES	5722			BR9EIX	3981	0.6
	DT125RE	04→07	BR8ES	5422			BR8EIX	5044	0.7
	DT125X	04→07	BR8ES	5422			BR8EIX	5044	0.6
	HW125 Xenter	12→	CPR9EA-9	2308			CR9EIX	3521	0.9
	MT-125	14→	CR9E	6263			CR9EIX	3521	0.8
	MW125 Tricity	14→	CR7E	4578			CR7EIX	7385	0.8
	NXC125 Cygnus X	04→	CR7E	4578			CR7EIX	7385	0.8
	RD125 (1/2", 12.7mm Thread Reach)		B8HS	5510	B8HVX	2634	BR8HIX	7001	0.6
	RD125 C-DX, DX, D-DX (3/4", 19mm Thread Reach)		B8ES	2411			BR8EIX	5044	0.6
	RD125LC	85→86	BR9ES	5722			BR9EIX	3981	0.7
	RDZ125	87→89	BR9ES	5722			BR9EIX	3981	0.7
	RS125 (Z/DX)	76→84	B8HS	5510	B8HVX	2634	BR8HIX	7001	0.5
	RS125E		B7HS	5110			BR7HIX	7067	0.6





CC	MODEL	DATE	STANDARD COPPER CORE	STOCK NUMBER	PLATINUM OR GOLD PALLADIUM	STOCK NUMBER	IRIDIUM	STOCK NUMBER	GAP MM
<b>YAMAHA (CONTINUED)</b>									
125	SR125	91→03	DR8EA	7162	DR8EVX	6354	DR8EIX	6681	0.6
	T125 (H/J)		B9EG	3530	B9EGV	5827	BR9EIX	3981	0.6
	TDR 125	93→97	BR9ES	5722			BR9EIX	3981	0.7
	TT-R125/LW		CR7HSA	4549			CR7HIX	7544	0.7
	TT-R125E	05→	CR7HSA	4549			CR7HIX	7544	0.7
	TW125	98→04	DR8EA	7162	DR8EVX	6354	DR8EIX	6681	0.6
	TY125		B7ES	1111			BR7EIX	6664	0.6
	TZR125	87→93	BR9ES	5722			BR9EIX	3981	0.7
	TZR125R	93→97	BR9ECM	3252	BR9ECMVX	2434	BR9ECMIX	2707	0.7
	VP125 X-City	07→	CPR9EA-9	2308			CR9EIX	3521	0.9
	WR125R	09→	CR8E	1275			CR8EIX	4218	0.7
	WR125X	09→	CR8E	1275			CR8EIX	4218	0.7
	XC125	92→96	CR6HSA	2983			CR6HIX	7274	0.6
	XC125 Cygnus	95→99	CR7E	4578			CR7EIX	7385	0.8
	XC125 Vity 125	08→	CR7E	4578			CR7EIX	7385	0.6
	XN125 Teos, Doodo	00→03	CR8E	1275			CR8EIX	4218	0.5
	XQ125 Maxster, Thunder	01→03	CR8E	1275			CR8EIX	4218	0.7
	XT125	82→85	D8EA	2120	DR8EVX	6354	DR8EIX	6681	0.7
	XT125R	05→	CR7HSA	4549			CR7HIX	7544	0.7
	XT125X	05→	CR7HSA	4549			CR7HIX	7544	0.7
	XV125 Virago	97→01	CR6HSA	2983			CR6HIX	7274	0.6
	XVS125 Drag Star	99→04	CR7HSA	4549			CR7HIX	7544	0.7
	Y125E/F		BR9EG	3230			BR9EIX	3981	0.5
	YA6		B7HS	5110			BR7HIX	7067	0.6
	YBR125	05→	CR6HSA	2983			CR6HIX	7274	0.6
	YBR125 Custom	09→	CR6HSA	2983			CR6HIX	7274	0.6
	YP125 Majesty, Skyliner	99→	CR8E	1275			CR8EIX	4218	0.7
	YP125R X-Max 125	00→05	CR8E	1275			CR8EIX	4218	0.7
	YP125R X-Max 125	06→13	CPR9EA-9	2308			CR9EIX	3521	0.9
	YP125RA X-MAX 125	14→	CPR9EA-9	2308			CR9EIX	3521	0.9
	YZ125 (Air Cooled)	74→80	B9EG	3530	B9EGV	5827	BR9EIX	3981	0.5
	YZ125 (Liquid Cooled)	81→91	B9EG	3530	B9EGV	5827	BR9EIX	3981	0.5
	YZ125	91→96	BR9EG	3230			BR9EIX	3981	0.5
	YZ125	96→98	B9EG	3530	B9EGV	5827	BR9EIX	3981	0.5
YZ125	98→05	BR9EG	3230			BR9EIX	3981	0.5	
YZ125	05→					BR9EIX	3981	0.5	
YZF-R125	08→	CR8E	1275			CR8EIX	4218	0.7	
175	DT175 (E/MX)	78→85	B8ES	2411			BR8EIX	5044	0.5
	IT175H		B9EG	3530	B9EGV	5827	BR9EIX	3981	0.5
	TY175 (E/JC)		B7ES	1111			BR7EIX	6664	0.5
200	CS5E		B8HS	5510	B8HVX	2634	BR8HIX	7001	0.6
	RD200 (All models except B)	76→83	B8ES	2411			BR8EIX	5044	0.6
	RD200B (½", 12.7mm Thread Reach)		B8HS	5510	B8HVX	2634	BR8HIX	7001	0.6
	RD200B (¾", 19mm Thread Reach)		B8ES	2411			BR8EIX	5044	0.6
	RS200		B8ES	2411			BR8EIX	5044	0.6
	WR200E		BR9ES	5722			BR9EIX	3981	0.6
250	Black X-max 250	09→	DR8EA	7162	DR8EVX	6354	DR8EIX	6681	0.7
	DT250 (E/MX)		B8EG	3430	B8EGV	5627	BR8EIX	5044	0.6
	IT250H		B9EG	3530	B9EGV	5827	BR9EIX	3981	0.6
	MX250		B8EG	3430	B8EGV	5627	BR8EIX	5044	0.6
	RD250 (D)	1977	B8ES	2411			BR8EIX	5044	0.6
	RD250 (E/F)	78→79	B9ES	2611	B9EVX	7254	BR9EIX	3981	0.7
	RD250 (LC)	80→85	BR8ES	5422			BR8EIX	5044	0.6
	SR250	80→82	BP7ES	2412	BP7EVX	7270	BPR7EIX	4055	0.7
	SR250S	93→95	BP7ES	2412	BP7EVX	7270	BPR7EIX	4055	0.7
	TDR250	88→92	BR9ES	5722			BR9EIX	3981	0.7
	TT250R	03→	CR9E	6263			CR9EIX	3521	0.8
	TY250N		BR8ES	5422			BR8EIX	5044	0.6
	TY250R		BR6ES	4922					0.6
	TY250Z				BP6EVX	5832	BPR6EIX	6637	0.7
	TZR250	87→91	BR9ES	5722			BR9EIX	3981	0.6
	VP250 X-City	07→	DPR8EA-9	4929			DPR8EIX-9	2202	0.9
	WR250F	01→	CR8E	1275			CR8EIX	4218	0.7
	WR250F (S)	04→06	CR8E	1275			CR8EIX	4218	0.7



CC	MODEL	DATE	STANDARD COPPER CORE	STOCK NUMBER	PLATINUM OR GOLD PALLADIUM	STOCK NUMBER	IRIDIUM	STOCK NUMBER	GAP MM
<b>YAMAHA (CONTINUED)</b>									
250	WR250F (S)	07→	CR9E	6263			CR9EIX	3521	0.8
	WR250R	08→	CR9EK	4548			CR9EIX	3521	0.7
	WR250X	08→	CR9EK	4548			CR9EIX	3521	0.7
	WR250Z	93→	B8EG	3430	B8EGV	5627	BR8EIX	5044	0.5
	XS250 (E/CW/SE/C)		BP7ES	2412	BP7EVX	7270	BPR7EIX	4055	0.7
	XT250	80→83	BP7ES	2412	BP7EVX	7270	BPR7EIX	4055	0.7
	XV250 Virago	95→00	CR6HS	7023			CR6HIX	7274	0.6
	XVS250 Drag Star	01→	CR6HSA	2983			CR6HIX	7274	0.7
	YBR250	09→	DR8EA	7162	DR8EVX	6354	DR8EIX	6681	0.7
	YP250 Majesty	96→04	DR8EA	7162	DR8EVX	6354	DR8EIX	6681	0.8
	YP250R X-Max	05→11	DR8EA	7162	DR8EVX	6354	DR8EIX	6681	0.8
	YP250RA X-MAX 250	12→	DPR8EA-9	4929			DPR8EIX-9	2202	0.9
	YZ250 (E-V)		B8EG	3430	B8EGV	5627	BR8EIX	5044	0.6
	YZ250A		B8EG	3430	B8EGV	5627	BR8EIX	5044	0.6
	YZ250E		B8EG	3430	B8EGV	5627	BR8EIX	5044	0.5
	YZ250F (4-Stroke)	01→	CR8E	1275			CR8EIX	4218	0.7
	YZ250F (S)	04→13	CR8E	1275			CR8EIX	4218	0.7
	YZ250F	14→	LMAR8G	95627					0.8
	YZ250G	1995	B8EG	3430	B8EGV	5627	BR8EIX	5044	0.5
	YZ250H		B9EG	3530	B9EGV	5827	BR9EIX	3981	0.6
YZ250WR	→04	B8EG	3430	B8EGV	5627	BR8EIX	5044	0.6	
YZ250WR	05→	BR8EG	3130			BR8EIX	5044	0.6	
264	VP300 Versity	03→04	DR8EA	7162	DR8EVX	6354	DR8EIX	6681	0.7
350	RD350 (Air Cooled) (1/2", 12.7mm Thread Reach)	73→74	B8HS	5510	B8HVX	2634	BR8HIX	7001	0.6
	RD350 (Air Cooled) (3/4", 19mm Thread Reach)	75→	B8ES	2411			BR8EIX	5044	0.6
	RD350LC-YPVS (Liquid Cooled)	83→85	BR8ES	5422			BR8EIX	5044	0.6
	RD350 (Liquid Cooled)	86→95	BR9ES	5722			BR9EIX	3981	0.6
	XT350	85→92	DR8ES-L	2923	DR8EVX	6354	DR8EIX	6681	0.6
400	DT400 (E/MX)		B9ES	2611	B9EVX	7254	BR9EIX	3981	0.6
	FZR400 RR/SP	91→95	CR8E	1275			CR8EIX	4218	0.7
	IT400		B8EG	3430	B8EGV	5627	BR8EIX	5044	0.6
	MX400		B8EG	3430	B8EGV	5627	BR8EIX	5044	0.6
	RD400 (C/D)		B8ES	2411			BR8EIX	5044	0.6
	RD400 (E/F)		B9ES	2611	B9EVX	7254	BR9EIX	3981	0.6
	WR400		CR8E	1275			CR8EIX	4218	0.7
	XS400 (E/2-E/F)		BP7ES	2412	BP7EVX	7270	BPR7EIX	4055	0.6
	YP400 Majesty	04→	CR7E	4578			CR7EIX	7385	0.8
	YP400R X-MAX	13→	CR7E	4578			CR7EIX	7385	0.8
	YZ400 (C/E)		B8EG	3430	B8EGV	5627	BR8EIX	5044	0.6
YZ400F	98→	CR8E	1275			CR8EIX	4218	0.7	
426	WR426F Enduro		CR8E	1275			CR8EIX	4218	0.7
	YZ426F Motocross		CR8E	1275			CR8EIX	4218	0.7
450	WR450F (S)	04→11	CR8E	1275			CR8EIX	4218	0.7
	WR450F Injection	12→	CR8E	1275			CR8EIX	4218	0.8
	YZ450F	03→	CR8E	1275			CR8EIX	4218	0.7
465	IT465H		B8EG	3430	B8EGV	5627	BR8EIX	5044	0.6
	YZ465H		B8EG	3430	B8EGV	5627	BR8EIX	5044	0.6
490	YZ490 (J/K/L/N/S/T/U)		B8EG	3430	B8EGV	5627	BR8EIX	5044	0.6
500	HL500		BP7ES	2412	BP7EVX	7270	BPR7EIX	4055	0.6
	RD500LC	84→87	BR9HS	4522			BR9HIX	5687	0.6
	SR500/E	78→83	BP7ES	2412	BP7EVX	7270	BPR7EIX	4055	0.6
	XP500 TMAX	01→11	CR7E	4578			CR7EIX	7385	0.7
	XS500/E		D9EA	2420	DR9EVX	6361	DR9EIX	4772	0.6
	XT500 (C/E)	77→83	BP7ES	2412	BP7EVX	7270	BPR7EIX	4055	0.6
530	XP500 TMAX	12→	CR7E	4578			CR7EIX	7385	0.7
535	XV535S/DX (Virago)	88→04	BPR7ES	2023			BPR7EIX	4055	0.7
550	XJ550	81→85	D8EA	2120	DR8EVX	6354	DR8EIX	6681	0.6
	XT550	82→84	DR7ES	3123					0.7
	XZ550	82→85	DR8ES	5423	DR9EVX	6361	DR9EIX	4772	0.7
600	FZ600 (Air Cooled)	86→88	DR8ES-L	2923	DR8EVX	6354	DR8EIX	6681	0.7
	FZ6-S / Fazer	04→06	CR9EK	4548			CR9EIX	3521	0.7
	FZ6-S S2 / Fazer S2	07→	CR9EK	4548			CR9EIX	3521	0.7
	FZR600 (Liquid Cooled)	89→94	CR9E	6263			CR9EIX	3521	0.8
	FZR600R	94→96	CR9E	6263			CR9EIX	3521	0.8



CC	MODEL	DATE	STANDARD COPPER CORE	STOCK NUMBER	PLATINUM OR GOLD PALLADIUM	STOCK NUMBER	IRIDIUM	STOCK NUMBER	GAP MM
<b>YAMAHA (CONTINUED)</b>									
600	FZS600 Fazer	98→04	CR8E	1275			CR8EIX	4218	0.6
	SRX600	86→89	DPR7EA-9	5129			DPR7EIX-9	7803	0.9
	TT600	86→03	DPR8EA-9	4929			DPR8EIX-9	2202	0.9
	TT600RE	04→	DPR8EA-9	4929			DPR8EIX-9	2202	0.9
	XJ6 (Incl. ABS)	08→	CR9E	6263			CR9EIX	3521	0.8
	XJ6 Diversion (Incl. ABS)	08→	CR9E	6263			CR9EIX	3521	0.8
	XJ6 Diversion F ABS	10→	CR9E	6263			CR9EIX	3521	0.8
	XJ600	84→91	DR8ES-L	2923	DR8EVX	6354	DR8EIX	6681	0.7
	XJ600S/N (Diversion)	92→02	CR8E	1275			CR8EIX	4218	0.6
	XT600	84→88	DPR7EA-9	5129			DPR7EIX-9	7803	0.9
	XT600E	90→	DPR8EA-9	4929			DPR8EIX-9	2202	0.9
	XT600Z Tenere	84→90	DPR7EA-9	5129			DPR7EIX-9	7803	0.9
	XT600ZE	86→91	DPR7EA-9	5129			DPR7EIX-9	7803	0.9
	YZF600R Thunder Cat	96→03	CR9E	6263			CR9EIX	3521	0.8
	YZF-R6	99→05	CR10EK	2360			CR10EIX	6482	0.7
YZF-R6	06→	CR10EK	2360			CR10EIX	6482	0.7	
650	XJ650	80→84	BP7ES	2412	BP7EVX	7270	BPR7EIX	4055	0.7
	XJ650T	82→85	BPR8ES	3923			BPR8EIX	6684	0.7
	XS2	72→73	B8ES	2411			BR8EIX	5044	0.6
	XS650 (E, SE, Special)	79→82	BP7ES	2412	BP7EVX	7270	BPR7EIX	4055	0.7
	XVS650 Drag Star	97→	DPR7EA-9	5129			DPR7EIX-9	7803	0.9
	XVS650A Drag Star	98→	DPR7EA-9	5129			DPR7EIX-9	7803	0.9
660	MT-03	05→	CR7E	4578			CR7EIX	7385	0.8
	SZR660	95→97	DPR9EA-9	5329			DPR9EIX-9	5545	0.9
	XT660 R/X	04→	CR7E	4578			CR7EIX	7385	0.8
	XT660Z Tenere	08→	CR7E	4578			CR7EIX	7385	0.8
	XTZ660 Tenere	91→99	DPR8EA-9	4929			DPR8EIX-9	2202	0.9
689	MT-07	14→	LMAR8A-9	4313					0.9
750	FZ750	85→91	DR8ES-L	2923	DR8EVX	6354	DR8EIX	6681	0.6
	FZR750R	87→89	DR8ES-L	2923	DR8EVX	6354	DR8EIX	6681	0.6
	FZR750R OW01	89→91	DR9EA	3437	DR9EVX	6361	DR9EIX	4772	0.6
	FZX750	87→89	DR8ES-L	2923	DR8EVX	6354	DR8EIX	6681	0.6
	XJ750 (SECA)	82→84	BPR7ES	2023			BPR7EIX	4055	0.7
	XS750 (C, D, E, SE)	80→82	BPR7ES	2023			BPR7EIX	4055	0.7
	XTZ750 Super Tenere	89→95	DPR8EA-9	4929			DPR8EIX-9	2202	0.9
	XV750 Virago	92→96	BPR7ES	2023			BPR7EIX	4055	0.7
	YZF750R	93→96	CR9E	6263			CR9EIX	3521	0.7
	YZF750-R7 OW02	99→			R0256R-10	7641			0.8
YZF750SP	93→96	CR9E	6263			CR9EIX	3521	0.7	
779	FZ8, Fazer8	10→	CR9E	6263			CR9EIX	3521	0.7
850	MT-09	13→	CPR9EA-9	2308			CR9EIX	3521	0.9
	TDM850	91→95	DPR9EA-9	5329			DPR9EIX-9	5545	0.9
	TDM850	96→01	DPR8EA-9	4929			DPR8EIX-9	2202	0.9
	TRX850	96→99	DPR8EA-9	4929			DPR8EIX-9	2202	0.9
	XS850	80→85	BP7ES	2412	BP7EVX	7270	BPR7EIX	4055	0.7
900	TDM 900	02→	DPR8EA-9	4929			DPR8EIX-9	2202	0.9
	XJ900F/S	83→94	BPR8ES	3923			BPR8EIX	6684	0.7
	XJ900S Diversion	95→04	DPR8EA-9	4929			DPR8EIX-9	2202	0.8
950	XVS950A Midnight Star	09→	CPR7EA-9	3901			CR7EIX	7385	0.9
1000	FZR1000	87→88	DR8ES-L	2923	DR8EVX	6354	DR8EIX	6681	0.7
	FZR1000 EXUP	89→93	DR8ES-L	2923	DR8EVX	6354	DR8EIX	6681	0.7
	FZR1000 EXUP	93→95	DR8EA	7162	DR8EVX	6354	DR8EIX	6681	0.8
	FZS1000 Fazer	01→05	CR9E	6263			CR9EIX	3521	0.7
	FZ-1 / Fazer	06→	CR9EK	4548			CR9EIX	3521	0.7
	GTS1000A	93→96	DPR8EA-9	4929			DPR8EIX-9	2202	0.9
	TR1	81→85	BP7ES	2412	BP7EVX	7270	BPR7EIX	4055	0.7
	XV1000SE	86→88	BPR7ES	2023			BPR7EIX	4055	0.7
	YZF1000R Thunderace	96→02	DR8EA	7162	DR8EVX	6354	DR8EIX	6681	0.8
	YZF-R1	98→01	CR9E	6263			CR9EIX	3521	0.7
	YZF-R1	02→03					CR9EIA-9	6289	0.9
	YZF-R1 (19mm Thread Reach)	04→08	CR9EK	4548			CR9EIX	3521	0.7
	YZF-R1SP (19mm Thread Reach)	2006	CR9EK	4548			CR9EIX	3521	0.7
	YZF-R1 (Incl. Anniversary) (26.5mm Thread Reach)	09→	LMAR9E-J	6884					0.7



CC	MODEL	DATE	STANDARD COPPER CORE	STOCK NUMBER	PLATINUM OR GOLD PALLADIUM	STOCK NUMBER	IRIDIUM	STOCK NUMBER	GAP MM
<b>YAMAHA (CONTINUED)</b>									
1100	BT1100 Bulldog	02→06	BPR7ES	2023			BPR7EIX	4055	0.7
	FJ1100	84→85	DPR8EA-9	4929			DPR8EIX-9	2202	0.9
	XS1100 (E/S)	81→84	BP6ES	7811	BP6EVX	5832	BPR6EIX	6637	0.7
	XV1100 Virago	89→98	BPR7ES	2023			BPR7EIX	4055	0.7
	XVS1100/A Drag Star / Classic	99→	BPR7ES	2023			BPR7EIX	4055	0.7
1200	FJ1200/A, XVZ12TD	86→96	DPR8EA-9	4929			DPR8EIX-9	2202	0.9
	V-Max 1200	91→02	DPR8EA-9	4929			DPR8EIX-9	2202	0.9
	XJR1200	95→98	DPR8EA-9	4929			DPR8EIX-9	2202	0.8
	XT1200Z Super Tenere (Twin Spark)	10→	CPR8EB-9	6607					0.9
	XT1200Z World Crosser (Twin Spark)	12→	CPR8EB-9	6607					0.9
	XVZ12TD Venture	85→86	DPR8EA-9	4929			DPR8EIX-9	2202	0.8
1300	FJR1300/A	01→	CR8E	1275			CR8EIX	4218	0.7
	FJR1300A/AS	06→12	CR8E	1275			CR8EIX	4218	0.7
	FJR1300A/AS	13→	CPR8EA-9	2306			CR8EIX	4218	0.9
	XJR1300/SP	99→	DPR8EA-9	4929			DPR8EIX-9	2202	0.9
	XVS1300A Midnight Star	07→	LMAR7A-9	4908					0.9
	XVS1300CU Custom	14→	LMAR7A-9	4908					0.9
	XVZ1300 TF Venture Star	99→01	DPR8EA-9	4929			DPR8EIX-9	2202	0.8
	XVZ13A Royal Star	96→98	DPR7EA-9	5129			DPR7EIX-9	7803	0.9
1600	XV1600/A Wild Star	99→02	DPR7EA-9	5129			DPR7EIX-9	7803	0.9
1670	MT-01 1600 (Twin Spark)	05→	DPR7EA-9	5129			DPR7EIX-9	7803	0.9
1679	VMAX 1700	08→					CR9EIA-9	6289	0.9
1700	XV1700 Road Star	03→	DPR7EA-9	5129			DPR7EIX-9	7803	0.9
1900	XV1900 Midnight Star	06→	DPR8EA-9	4929			DPR8EIX-9	2202	0.8

<b>YAMASAKI</b>									
125	YM125-3	11→	D8EA	2120	DR8EVX	6354	DR8EIX	6681	0.6

**YIYING (SEE BENZHOU)**

**ZING (SEE LIFAN)**

<b>ZNEN</b>									
125	ZN125F Firenze 125		C7HSA	4629			CR7HIX	7544	0.6

<b>ZONGSHEN</b>									
125	Arktix, Predator ZS125-GY10		DR8EA	7162	DR8EVX	6354	DR8EIX	6681	0.7
250	Storm ZS250GS		D8EA	2120	DR8EVX	6354	DR8EIX	6681	0.6

# ATV Quad



CC	MODEL	DATE	STANDARD COPPER CORE	STOCK NUMBER	PLATINUM OR GOLD PALLADIUM	STOCK NUMBER	IRIDIUM	STOCK NUMBER	GAP MM
<b>ADLY</b>									
103	ATV-110 Fun bike	10→	BP7HS	5111			BPR7HIX	5944	0.7
300	ATV-300XS	10→	DR8EA	7162	DR8EVX	6354	DR8EIX	6681	0.7
320	ATV-320S, ATV-320U	12→	CR8E	1275			CR8EIX	4218	0.7

<b>APACHE</b>									
50	RLX 50	08→	BR8HSA	5539			BPR8HIX	6742	0.7
	Tomahawk Mini 50 (4-Stroke)	→07	CR7HSA	4549			CR7HIX	7544	0.6
	Tomahawk Mini 50 (2-Stroke)	08→	BR8HSA	5539			BPR8HIX	6742	0.7
100	Army 100	05→	BR8HSA	5539			BPR8HIX	6742	0.6
	RLX 100	05→	BR8HSA	5539			BPR8HIX	6742	0.6
	SX 100	04→09	BR8HSA	5539			BPR8HIX	6742	0.6
	ZX100	08→09	BR8HSA	5539			BPR8HIX	6742	0.7
150	RLX 150 H	06→	CR7HSA	4549			CR7HIX	7544	0.6
	RLX 150	06→	CR7HSA	4549			CR7HIX	7544	0.6
	Superbug 150	06→	CR7HSA	4549			CR7HIX	7544	0.6
170	RLX 170 S	06→	DR8EA	7162	DR8EVX	6354	DR8EIX	6681	0.6
250	RLX 250 AX	06→08	DR8EA	7162	DR8EVX	6354	DR8EIX	6681	0.6
	RLX 250 S	06→07	CR8HS	7423	CR8HVX	7236	CR8HIX	7669	0.7
	RLX 250 SX	06→07	CR8HS	7423	CR8HVX	7236	CR8HIX	7669	0.7
280	RLX 320	07→	DPR7EA-9	5129			DPR7EIX-9	7803	0.9
360	RLX 400	10→	CR8E	1275			CR8EIX	4218	0.7
450	RLX 450	08→	CR8E	1275			CR8EIX	4218	0.7
500	RLX F500	10→	DPR7EA-9	5129			DPR7EIX-9	7803	0.9

<b>ARCTIC CAT</b>									
50	50	06→	CR7HSA	4549			CR7HIX	7544	0.6
90	90	06→	CR7HSA	4549			CR7HIX	7544	0.6
150	150	09→	DR8EA	7162	DR8EVX	6354	DR8EIX	6681	0.7
250	250	01→	DR7EA	7839					0.6
300	300	05→	DR7EA	7839					0.6
	DVX 300	08→	DPR7EA-9	5129			DPR7EIX-9	7803	0.9
366	400 H1	08→	CR7E	4578			CR7EIX	7385	0.7
400	400	03→	CR7E	4578			CR7EIX	7385	0.7
	DVX 400	04→08	CR7E	4578			CR7EIX	7385	0.7
500	500	97→	CR6E	6965					0.8
550	550	09→	CPR8E	7411			CR8EIX	4218	0.8
650	650	04→05	CR7E	4578			CR7EIX	7385	0.7
	650 H1	05→	CPR8E	7411			CR8EIX	4218	0.8
700	700 H1	09→	CPR8E	7411			CR8EIX	4218	0.8
	Wildcat Trail	14→	CR8EB	7784			CR8EIX	4218	0.7
950	1000 Thundercat H2	09→	CPR8E	7411			CR8EIX	4218	0.8

<b>BLAST (LEM)</b>									
50	50		B7HS	5110			BR7HIX	7067	0.6
100	100		B7HS	5110			BR7HIX	7067	0.6

<b>BOMBARDIER (→05)</b>									
50	DS 50 (Rotax)	02→03	BPR7HS	6422			BPR7HIX	5944	0.6
	DS 50	04→05	BR9ECS	3570					0.7
90	DS 90 (Rotax 2-Stroke)	02→03	BPR7HS	6422			BPR7HIX	5944	0.6
	DS 90 (Rotax 2-Stroke)	04→05	BR9ECS	3570					0.7
	DS 90 (Rotax 4-Stroke)	02→	CR7HSA	4549			CR7HIX	7544	0.6
200	Rally (Rotax)	03→05	CR8E	1275			CR8EIX	4218	0.7
330	Outlander 330 HO (Rotax 4-TEC)	04→05	BR9ECS	3570					0.7
400	Outlander 400 HO (Rotax 4-TEC) Ø12mm Plug	03→	DCPR8E*	4179			DCR8EIX	3606	0.6
	Outlander 400 Ø14mm Plug	04→	BR9ECS	3570					0.7



\* Please note DCPR8E 4339 has a removable terminal nut, whereas DCPR8E 4179 has a fixed terminal nut





CC	MODEL	DATE	STANDARD COPPER CORE	STOCK NUMBER	PLATINUM OR GOLD PALLADIUM	STOCK NUMBER	IRIDIUM	STOCK NUMBER	GAP MM
<b>BOMBARDIER (→05) (CONTINUED)</b>									
500	Traxter (Rotax) Ø12mm Plug	98→02	DR8EA	7162	DR8EVX	6354	DR8EIX	6681	0.7
	Traxter (Rotax) Ø14mm Plug	03→	BR9ECS	3570					0.7
	Traxter CVT	2005	DCPR8E*	4179			DCR8EIX	3606	0.7
650	DS 650 (Rotax) Ø12mm Plug	00→05	DR8EA	7162	DR8EVX	6354	DR8EIX	6681	0.7
	Quest 650 (Rotax 4-TEC) Ø12mm Plug	02→03	DR8EA	7162	DR8EVX	6354	DR8EIX	6681	0.7
	Quest 650 Ø14mm Plug	03→	BR9ECS	3570					0.7
	Traxter CVT	2005	DCPR8E*	4179			DCR8EIX	3606	0.7

<b>CAN-AM (BRP)</b>									
50	DS 50	2006	BR9ECS	3570					0.7
70	DS 7	08→	CR7HSA	4549			CR7HIX	7544	0.7
90	DS 90 (Rotax 2-Stroke)	2006	BR9ECS	3570					0.7
	DS 90 (Rotax 4-Stroke)	06→	CR7HSA	4549			CR7HIX	7544	0.6
200	Rally (Rotax)	06→07	CR8E	1275			CR8EIX	4218	0.7
250	DS 250	06→	CR8E	1275			CR8EIX	4218	0.7
400	Outlander 400 HO (Rotax 4-TEC) Ø12mm Plug	06→	DCPR8E*	4179			DCR8EIX	3606	0.6
	Outlander 400 Ø14mm Plug	06→	BR9ECS	3570					0.7
	Outlander MAX	13→	DCPR8E*	4179			DCR8EIX	3606	0.7
450	DS 450	08→	DCPR9E	2641			DCR9EIX	6650	0.7
500	Outlander 500	07→	DCPR8E*	4179			DCR8EIX	3606	0.7
	Renegade 500	08→	DCPR8E*	4179			DCR8EIX	3606	0.7
	Traxter (Rotax) Ø14mm Plug	06→	BR9ECS	3570					0.7
650	DS 650 (Rotax) Ø12mm Plug	06→07	DR8EA	7162	DR8EVX	6354	DR8EIX	6681	0.7
	Outlander 650	06→	DCPR8E*	4179			DCR8EIX	3606	0.7
	Quest 650 Ø14mm Plug	06→	BR9ECS	3570					0.7
800	Commander 800	11→	DCPR8E*	4179			DCR8EIX	3606	0.7
	Outlander 800 (Incl. R, X & XC models)	06→	DCPR8E*	4179			DCR8EIX	3606	0.7
	Renegade 800	07→	DCPR8E*	4179			DCR8EIX	3606	0.7
1000	Commander 1000	11→	DCPR8E*	4179			DCR8EIX	3606	0.7
	Maverick	13→	LMAR8C-9	93833					0.9

<b>CECTEK</b>									
497	Gladiator	09→	CR7E	4578			CR7EIX	7385	0.7
	Quadrift	09→	CR7E	4578			CR7EIX	7385	0.7

<b>CLUBCAR</b>									
719	Carryall 294, 295 (Kubota D722 engine)	04→	YE01	2649					-

<b>CPI</b>									
50	ATV 50	09→	BPR7HS	6422			BPR7HIX	5944	0.7
	XT50R	09→	BR7HS	4122			BR7HIX	7067	0.7
100	ATV 100	03→	BPR7HS	6422			BPR7HIX	5944	0.7
200	ATV 200		BR7HS	4122			BR7HIX	7067	0.7

<b>CUB CADET</b>									
624	Volunteer 4x4 (Kohler CH640 engine)	09→	BCPR5ES	6130			BCPR5EIX	5688	0.7
747	Volunteer 4x4 EFI (Kohler Aegis LH775 engine)	12→	BPR5E	7075			BPR5EIX	6597	0.7

<b>DINLI</b>									
50	JP 502	04→	BPR7HS	6422			BPR7HIX	5944	0.7
110	Diablo 110	04→	BPR7HS	6422			BPR7HIX	5944	0.7
150	Diablo 150	05→07	C7HSA	4629			CR7HIX	7544	0.7
265	270 Sport	06→	DPR7EA-9	5129			DPR7EIX-9	7803	0.7
450	450 Sport	07→	DCPR8E*	4339			DCR8EIX	3606	0.8



\* Please note DCPR8E 4339 has a removable terminal nut, whereas DCPR8E 4179 has a fixed terminal nut





CC	MODEL	DATE	STANDARD COPPER CORE	STOCK NUMBER	PLATINUM OR GOLD PALLADIUM	STOCK NUMBER	IRIDIUM	STOCK NUMBER	GAP MM
<b>E-TON</b>									
40	JXL40 Viper	03→	BPM7A	7321					0.6
	RXL40E	01→07	BPM7A	7321					0.6
50	RXL50 Viper	02→	BPR7HS	6422			BPR7HIX	5944	0.7
70	RXL70	05→	BPR7HS	6422			BPR7HIX	5944	0.7
90	DXL90 Sierra	03→	BPR7HS	6422			BPR7HIX	5944	0.7
	RXL90 R	03→07	BPR7HS	6422			BPR7HIX	5944	0.7
	RXL90 Viper	02→	BPR7HS	6422			BPR7HIX	5944	0.7
150	CXL150 Challenger	99→	C7HSA	4629			CR7HIX	7544	0.7
	EXL ST150	04→11	C7HSA	4629			CR7HIX	7544	0.7
	RXL150 Viper	09→	C7HSA	4629			CR7HIX	7544	0.7
	YXL150 Yukon	99→	C7HSA	4629			CR7HIX	7544	0.7
250	VXL250 Vector	07→	CR8E	1275			CR8EIX	4218	0.6
300	VXL-300ST Vector	10→	CR8E	1275			CR8EIX	4218	0.6

<b>GAS GAS</b>									
50	Quad 50	04→07	B9ES	2611	B9EVX	7254	BR9EIX	3981	0.6
250	Quad 250	07→	DPR7EA-9	5129			DPR7EIX-9	7803	0.7
300	Wild HP	03→	BR8EG	3130			BR8EIX	5044	0.5
450	Wild HP	03→	CR8E	1275			CR8EIX	4218	0.7

<b>HONDA</b>									
70	ATC70, ATC70-D	78→85	CR7HS	7223			CR7HIX	7544	0.7
90	TRX90 Sportrax	94→	CR6HSA	2983			CR6HIX	7274	0.6
110	ATC110	79→85	DR8HS	5123					0.7
125	ATC125M	84→87	DR8ES-L	2923	DR8EVX	6354	DR8EIX	6681	0.7
	TRX125 All variants	85→88	DR8ES-L	2923	DR8EVX	6354	DR8EIX	6681	0.7
185	ATC185S-D	79→82	DR8ES-L	2923	DR8EVX	6354	DR8EIX	6681	0.7
200	ATC200 (EC/XD/ESE)	81→84	DR8ES-L	2923	DR8EVX	6354	DR8EIX	6681	0.7
	TRX200 All variants	84→97	DR8ES-L	2923	DR8EVX	6354	DR8EIX	6681	0.7
250	ATC250R-D	81→83	BR8ES	5422			BR8EIX	5044	0.7
	ATC250R-F/G	85→86	BR9ES	5722			BR9EIX	3981	0.7
	TRX250 RH, RJ, RK	86→89	BR9ES	5722			BR9EIX	3981	0.7
	TRX250 EX Sportrax	01→08	DPR8EA-9	4929			DPR8EIX-9	2202	0.9
250	TRX250 TM/TE Fourtrax S/ES	02→	DPR8EA-9	4929			DPR8EIX-9	2202	0.9
	TRX300FW-V	94→99	DPR8EA-9	4929			DPR8EIX-9	2202	0.9
300	TRX300EX	00→01	DR8ES-L	2923	DR8EVX	6354	DR8EIX	6681	0.7
	TRX350-H, J, K, L, M, N, P	86→93	DR8ES-L	2923	DR8EVX	6354	DR8EIX	6681	0.7
350	TRX350 TM/TE Fourtrax S/ES	01→06	DPR7EA-9	5129			DPR7EIX-9	7803	0.9
	TRX400AT Fourtrax	05→	DPR8EA-9	4929			DPR8EIX-9	2202	0.9
400	TRX400EX Sportrax	05→	DPR8EA-9	4929			DPR8EIX-9	2202	0.9
	TRX420 FE/FM/FPM/TE/TM Fourtrax ES	07→	BKR5E-11	6953			BKR5EIX-11	5464	1.1
450	TRX450 FE/FM ES/S	97→02	DPR7EA-9	5129			DPR7EIX-9	7803	0.9
	TRX450R Sportrax	06→					IFR8H11	5068	1.1
475	TRX500 ES/FM/FE Foreman Ø14mm Plug (Manual)	05→	BKR5E-11	6953			BKR5EIX-11	5464	1.1
500	TRX500 FA1, FA2, FA3 Foreman AT Ø12mm Plug (Auto)	01→					IJR7A9	7901	0.9
650	TRX650FA Rincon AT	04→					IFR5L11	6502	1.1
675	TRX680FA Rincon	05→					IFR5L11	6502	1.1

<b>HYMOTO</b>									
70	HQ70		C7HSA	4629			CR7HIX	7544	0.7
110	HQ110	09→	C7HSA	4629			CR7HIX	7544	0.7
200	HQ200SRL	10→	DR8EA	7162	DR8EVX	6354	DR8EIX	6681	0.7
300	HQ300 4x4 / SRL	07→	DR8EA	7162	DR8EVX	6354	DR8EIX	6681	0.7

<b>HYOSUNG</b>									
50	TE50	07→	BPR6HS	7022			BPR6HIX	4085	0.7
90	TE90	07→	BPR7HS	6422			BPR7HIX	5944	0.7
100	TE100R	04→	BPR7HS	6422			BPR7HIX	5944	0.7
450	TE450 Rapier	07→	CR8E	1275			CR8EIX	4218	0.7



CC	MODEL	DATE	STANDARD COPPER CORE	STOCK NUMBER	PLATINUM OR GOLD PALLADIUM	STOCK NUMBER	IRIDIUM	STOCK NUMBER	GAP MM
<b>KAWASAKI</b>									
50	KFX50 A	03→	BPR4HS	7823					0.7
220	KLF220 A	88→02	DR8ES	5423	DR9EVX	6361	DR9EIX	4772	0.7
250	KLF250	03→	DR8ES	5423	DR9EVX	6361	DR9EIX	4772	0.6
300	KAF300 A-C (Mule 500/550)	91→04	BPR5ES	7422			BPR5EIX	6597	0.8
	KLF300 (Ø14mm Plug)	86→88	BR8ES	5422			BR8EIX	5044	0.6
	KLF300 (Ø12mm Plug)	89→	DR8EA	7162	DR8EVX	6354	DR8EIX	6681	0.7
	KVF300	99→04	DR8EA	7162	DR8EVX	6354	DR8EIX	6681	0.7
	KVF300 Brute Force 300	12→	DPR7EA-9	5129			DPR7EIX-9	7803	0.9
360	KVF360	02→	DPR8EA-9	4929			DPR8EIX-9	2202	0.9
400	KAF400 A, B (Mule 600/610)	05→	BPR5ES	7422			BPR5EIX	6597	0.8
	KFX400	03→	CR7E	4578			CR7EIX	7385	0.7
	KLF400 B	93→99	DPR8EA-9	4929			DPR8EIX-9	2202	0.9
	KVF400	99→	DPR8EA-9	4929			DPR8EIX-9	2202	0.9
450	KAF450 (Mule 1000)	88→	D6EA	7512					0.7
	KFX450R	08→	CPR8EB-9	6607			CR8EIX	4218	0.9
540	KAF540 C (Mule 2010)	02→05	BP5ES	6511			BPR5EIX	6597	0.5
620	KAF620 D (Mule 2500E)	1990	BMR4A	5728					0.7
	KAF620 A-D (Mule 2510/2500)	93→00	BMR2A	7677					0.7
	KAF620 E, G (Mule 3010/3000)	01→	BPR2ES	2264					0.7
650	KVF650	02→	CR7E	4578			CR7EIX	7385	0.7
700	KFX700 V Force	04→	CR7E	4578			CR7EIX	7385	0.7
	KVF700 A	04→	CR7E	4578			CR7EIX	7385	0.7
750	KVF750 A-D	05→	CR7E	4578			CR7EIX	7385	0.7
950	KAF950 A-D Diesel (Mule 2510, 3010)	98→08	Y-706R	3041					-

<b>KAZUMA</b>									
50	Meerkat	08→	C7HSA	4629			CR7HIX	7544	0.6
90	Falcon	05→	C7HSA	4629			CR7HIX	7544	0.6
110	Baby Falcon, Falcon, Panda Lacoste	05→	C7HSA	4629			CR7HIX	7544	0.6
150	Dingo, Falcon	03→	C7HSA	4629			CR7HIX	7544	0.6
500	Jaguar	07→	BKR6E	6962			BKR6EIX	6418	0.7
800	Mammoth	07→	BPR6ES	7822			BPR6EIX	6637	0.6

<b>KTM</b>									
450	450 SX (Ø10mm Plug)	09→	CR9EKB	2305			CR9EIX	3521	0.8
	450 XC (Ø12mm Plug)	08→	DCPR8E*	4179			DCR8EIX	3606	0.6
477	505 SX (Ø10mm Plug)	09→	CR9EKB	2305			CR9EIX	3521	0.8
510	525 XC (Ø12mm Plug)	08→	DCPR8E*	4179			DCR8EIX	3606	0.6

<b>KUBOTA</b>									
898	RTV900	04→	YE01	2649					-
1123	RTV1100	07→	YE01	2649					-

<b>KYMCO</b>									
50	KXR 50		BR8HSA	5539			BPR8HIX	6742	0.6
90	KXR 90		C7HSA	4629			CR7HIX	7544	0.7
150	MXer 150 /RL	01→	DR8EA	7162	DR8EVX	6354	DR8EIX	6681	0.7
	MXU 150 RL	05→	DR8EA	7162	DR8EVX	6354	DR8EIX	6681	0.7
250	KXR 250 /RL	01→	DPR7EA-9	5129			DPR7EIX-9	7803	0.9
	MXU 250 RL, Maxxer 250		DPR7EA-9	5129			DPR7EIX-9	7803	0.9
300	MXU 300 RL, Maxxer 300	05→	DPR7EA-9	5129			DPR7EIX-9	7803	0.9
400	MXU 400		CR8E	1275			CR8EIX	4218	0.7
443	MXU 450i	12→	CR7E	4578			CR7EIX	7385	0.6
500	MXU 500	→11	CR7E	4578			CR7EIX	7385	0.6
	MXU 500i IRS	12→	CR7E	4578			CR7EIX	7385	0.6
	UXV 500		CR7E	4578			CR7EIX	7385	0.9



\* Please note DCPR8E 4339 has a removable terminal nut, whereas DCPR8E 4179 has a fixed terminal nut





# ATV Quad



CC	MODEL	DATE	STANDARD COPPER CORE	STOCK NUMBER	PLATINUM OR GOLD PALLADIUM	STOCK NUMBER	IRIDIUM	STOCK NUMBER	GAP MM
<b>LEM</b>									
50	Beetlebug, Cayman, Condor	97→	B7HS	5110			BR7HIX	7067	0.6

<b>MASAI</b>									
265	A300	05→	DCPR7E	3932	DCPR7EVX	1179	DCPR7EIX	6046	0.8
450	A450	05→	DCPR8E*	4179			DCR8EIX	3606	0.6

<b>MASSEY FERGUSON</b>									
250	MF250 2WD	06→08	DR7EA	7839					0.6
350	MF350MRP 4WD Manual 5 Speed	06→08	DR7EA	7839					0.6
400	MF400MRP 4WD Manual 5 Speed	06→08	CR6E	6965					0.8
450	MF450MRP 4WD Automatic	06→08	CR6E	6965					0.8
500	MF500MRP 4WD Automatic & Manual 5 Speed	06→08	CR6E	6965					0.8
	MF500TBX 4WD Automatic	06→08	CR6E	6965					0.8

<b>MOTO ROMA</b>									
50	Blazer 50		B8HS	5510			BR8HIX	7001	0.5
	Blazer 50DL		BP7HS	5111			BPR7HIX	5944	0.6
90	Sport 90		BP7HS	5111			BPR7HIX	5944	0.7
100	Blazer 100		BP7HS	5111			BPR7HIX	5944	0.5
	Roadrunner 4	04→	BP7HS	5111			BPR7HIX	5944	0.6
	Sport 100		BP7HS	5111			BPR7HIX	5944	0.6
125	Sportsman 125	03→	C7HSA	4629			CR7HIX	7544	0.6
	SS Buggy (AB125E,R)		C7HSA	4629			CR7HIX	7544	0.6
150	DS Buggy (AB150IIR)		C7HSA	4629			CR7HIX	7544	0.6
	Sport/Sportsman 150		C7HSA	4629			CR7HIX	7544	0.6
	X Machine		C7HSA	4629			CR7HIX	7544	0.6
	Sport 250		C7HSA	4629			CR7HIX	7544	0.6
250	Sportsman 250		C7HSA	4629			CR7HIX	7544	0.6
	Geko 300	05→	DR8EA	7162	DR8EVX	6354	DR8EIX	6681	0.7

<b>POLARIS</b>									
50	Predator 50	03→	BPR7HS	6422			BPR7HIX	5944	0.6
90	Predator 90	03→	BPR7HS	6422			BPR7HIX	5944	0.6
	Sportsman 90		BPR7HS	6422			BPR7HIX	5944	0.6
200	Phoenix 200	05→	CR6HSA	2983			CR6HIX	7274	0.7
	Sawtooth	06→	CR7HSA	4549			CR7HIX	7544	0.7
250	Trail Blazer 250		BR8ES	5422			BR8EIX	5044	0.7
300	Hawkeye 300 2x4, 4x4	06→	CR8EB	7784			CR8EIX	4218	0.8
330	Magnum 330		BKR6E	6962			BKR6EIX	6418	0.9
	Trail Boss 330		BKR6E	6962			BKR6EIX	6418	0.9
400	Sportsman 400 H.O.	09→	BKR6E	6962			BKR6EIX	6418	0.9
450	Sportsman 450		BKR6E	6962			BKR6EIX	6418	0.9
500	Predator 500	05→	DCPR8E*	4339			DCR8EIX	3606	0.9
	Predator Troy Lee	06→	DCPR8E*	4339			DCR8EIX	3606	0.9
	Ranger 4x4 EFI		BKR6E	6962			BKR6EIX	6418	0.9
	Scrambler 500		BKR6E	6962			BKR6EIX	6418	0.9
	Sportsman 500 EFI		BKR6E	6962			BKR6EIX	6418	0.9
	Sportsman 500 H.O. EFI (Incl. Touring)	09→	BKR6E	6962			BKR6EIX	6418	0.9
650	Ranger TM	06→	BPR5ES	7422			BPR5EIX	6597	0.9
680	Ranger 6x6 EFI		BKR7E	6097	BKR7EVX	3544	BKR7EIX	2667	0.9
	Ranger XP		BKR7E	6097	BKR7EVX	3544	BKR7EIX	2667	0.9
700	Sportsman 700 EFI		BKR7E	6097	BKR7EVX	3544	BKR7EIX	2667	0.9
	Sportsman 700 Twin		BKR7E	6097	BKR7EVX	3544	BKR7EIX	2667	0.9
800	Sportsman 800 EFI		BKR7E	6097	BKR7EVX	3544	BKR7EIX	2667	0.9
850	Sportsman XP 850	→09	LKAR8A-9	4786					0.9



\* Please note DCPR8E 4339 has a removable terminal nut, whereas DCPR8E 4179 has a fixed terminal nut





CC	MODEL	DATE	STANDARD COPPER CORE	STOCK NUMBER	PLATINUM OR GOLD PALLADIUM	STOCK NUMBER	IRIDIUM	STOCK NUMBER	GAP MM
<b>QUADZILLA</b>									
50	Buzz	03→07	BPR7HS	6422			BPR7HIX	5944	0.6
	PGO 50E Bugrider		BPR7HS	6422			BPR7HIX	5944	0.6
100	M100		BP7HS	5111			BPR7HIX	5944	0.7
	ProShark	04→	BP8ES	2912	BP8EVX	2671	BPR8EIX	6684	0.6
	ProShark E		BR8HSA	5539			BPR8HIX	6742	0.6
	ProShark Type R		BP8ES	2912	BP8EVX	2671	BPR8EIX	6684	0.6
	R100		BPR7HS	6422			BPR7HIX	5944	0.6
	X100 Single piece head (12.7mm Thread Reach)		BR8HSA	5539			BPR8HIX	6742	0.6
	X100 Twin piece head (19mm Thread Reach)		BP8ES	2912	BP8EVX	2671	BPR8EIX	6684	0.6
150	PGO 150E Bugrider		CR7HSA	4549			CR7HIX	7544	0.6
165	R170E Stinger	03→06	DR8EA	7162	DR8EVX	6354	DR8EIX	6681	0.7
200	200E 4 Cross		DR8EA	7162	DR8EVX	6354	DR8EIX	6681	0.7
	ST200E	06→07	CR7HSA	4549			CR7HIX	7544	0.6
250	PGO 250E Bugrider		DPR7EA-9	5129			DPR7EIX-9	7803	0.9
	R250E Stinger		CR8HS	7423	CR8HVX	7236	CR8HIX	7669	0.7
	R250E Triple Disc		CR8HS	7423	CR8HVX	7236	CR8HIX	7669	0.7
	XRV 250	06→07	DPR7EA-9	5129			DPR7EIX-9	7803	0.9
300	300E SUV 4 Valve		DR8EA	7162	DR8EVX	6354	DR8EIX	6681	0.7
500	XLC500	08→	DCPR8E*	4339			DCR8EIX	3606	0.9
700	RS7	10→	CR6E	6965					0.8
750	RS8	11→	CR6E	6965					0.8

**QUANTUM**

150	Dingo, Falcon		C7HSA	4629			CR7HIX	7544	0.6
500	NF500L		BKR6E	6962			BKR6EIX	6418	0.7

**SKYTEAM**

50	LX50ST-C		CR7HSA	4549			CR7HIX	7544	0.6
200	ST200 Quad		DR8EA	7162	DR8EVX	6354	DR8EIX	6681	0.7

**SUZUKI**

50	LT50 →K4/K5 (Ø14mm Plug)	→05	BPR4HS	7823					0.7
	LT-A50 →K4/K5 (Ø14mm Plug)	→05	BPR4HS	7823					0.7
	LT-Z50 K5/K6 (Ø10mm Plug)	05→	CR6HSA	2983			CR6HIX	7274	0.7
80	LT80 P-R-S		BP7HS	5111			BPR7HIX	5944	0.7
	LT80 T-V-W-X-Y K1-K5		BPR7HS	6422			BPR7HIX	5944	0.7
90	LT-Z90	06→	CR6HSA	2983			CR6HIX	7274	0.7
250	LT-4WD	87→98	DR7ES	3123					0.7
	LT-F250F Ozark	99→02	DR7EA	7839					0.6
	LT-F250	03→	DR7EA	7839					0.6
	LT-Z250 K4-K5	04→	DR7EA	7839					0.6
300	LT-F300F	99→02	DR7EA	7839					0.7
400	LT-A400F K2 (Eiger)	02→	CR7E	4578			CR7EIX	7385	0.7
	LT-F400 Eiger 2WD		CR7E	4578			CR7EIX	7385	0.7
	LT-F400F Eiger 4WD	02→09	CR7E	4578			CR7EIX	7385	0.7
	LT-F400FSi KingQuad	10→	CR7E	4578			CR7EIX	7385	0.7
	LT-Z400	03→	CR7E	4578			CR7EIX	7385	0.7
450	LT-A450X	07→	CR6E	6965					0.8
	LT-R450	06→	CR8EB	7784			CR8EIX	4218	0.7
500	LT-A500XP KingQuad	10→	CR6E	6965					0.8
	LT-F500F	98→07	CR7E	4578			CR7EIX	7385	0.7
700	LT700A K5	05→	CR6E	6965					0.8
	LT-A700X K7	07→	CR6E	6965					0.8
722	LT-A750X	08→	CR6E	6965					0.8

**SYM**

200	TrackRunner 200	06→	CR8HSA	2086	CR8HVX	7236	CR8HIX	7669	0.6
250	QuadLander 250	06→	BR8HSA	5539			BPR8HIX	6742	0.6



\* Please note DCPR8E 4339 has a removable terminal nut, whereas DCPR8E 4179 has a fixed terminal nut



# ATV Quad



CC	MODEL	DATE	STANDARD COPPER CORE	STOCK NUMBER	PLATINUM OR GOLD PALLADIUM	STOCK NUMBER	IRIDIUM	STOCK NUMBER	GAP MM
<b>TGB</b>									
90	Hornet 90		BPR7HS	6422			BPR7HIX	5944	0.6
250	Blade 250		CR8E	1275			CR8EIX	4218	0.8
287	Blade 325 SL 2WD		CR8E	1275			CR8EIX	4218	0.8
	Target 325 SL 2WD		CR8E	1275			CR8EIX	4218	0.8
403	Blade 425 SL 4WD	10→	CR7E	4578			CR7EIX	7385	0.7
	Blade 450 SE IRS 4WD	10→	CR7E	4578			CR7EIX	7385	0.7
460	Blade 460 R 2WD	12→	CR7E	4578			CR7EIX	7385	0.7
503	Blade 550 LT 4WD	11→	CR7E	4578			CR7EIX	7385	0.7
	Blade 550 SE IRS 4WD	11→	CR7E	4578			CR7EIX	7385	0.7
	Target 550 IRS 4WD	11→	CR7E	4578			CR7EIX	7385	0.7

<b>YAMAHA</b>									
50	YFM50 Mini Raptor	03→05	CR7HS	7223			CR7HIX	7544	0.6
	YFM50 Mini Raptor	06→	CR7HSA	4549			CR7HIX	7544	0.7
60	YT60L (Tri-Moto)		BP6HS	4511			BPR6HIX	4085	0.6
80	YFM80	92→03	CR7HS	7223			CR7HIX	7544	0.7
	YFM80 Badger	04→	CR7HSA	4549			CR7HIX	7544	0.7
	YFM80 Raptor	06→	CR7HSA	4549			CR7HIX	7544	0.7
125	YFA1 Breeze	90→03	CR7HS	7223			CR7HIX	7544	0.7
	YFA1 Breeze	04→	CR7HSA	4549			CR7HIX	7544	0.7
	YFM125S Grizzly	04→	CR7HSA	4549			CR7HIX	7544	0.7
200	YTM200EL Yamahauler	1984	D7EA	7912					0.7
	YFM200N (Moto-4)	85→90	D7EA	7912					0.6
	YFS200 Blaster	88→	BR8ES	5422			BR8EIX	5044	0.6
	YTM200EK (Tri-Moto)		D7EA	7912					0.6
215	G1A Utility/Golf Kart	79→	BP5HS	4111					0.7
225	YFM225		DR7ES	3123					0.6
230	YFU1 Pro Hauler	89→90	DR7EA	7839					0.7
250	YFB250 Timberwolf 2WD/4WD	92→97	DR7EA	7839					0.6
	YFM250	88→90	DR7EA	7839					0.7
	YFM250X Bear Tracker	99→04	DR7EA	7839					0.7
	YFM250 Bear Tracker	05→	DR7EA	7839					0.6
	YFM250B Bruin/Big Bear	05→	DR7EA	7839					0.6
	YFM250R Raptor	08→	DR7EA	7839					0.6
	YTZ250	85→88	B8ES	2411			BR8EIX	5044	0.7
285	G2A, G5A, G8A, G9A Utility/Golf Kart	85→	BR4ES	1097					0.8
	G3A Utility/Golf Kart	86→	BP5HS	4111					0.7
287	YFM30GB Grizzly	12→	CR8E	1275			CR8EIX	4218	0.8
350	G23A Utility/Golf Kart	03→06	BPR2ES	2264					0.7
	YFM350 Big Bear 2WD		DR8ES-L	2923	DR8EVX	6354	DR8EIX	6681	0.6
	YFM350 Big Bear 4WD	87→93	DR8ES-L	2923	DR8EVX	6354	DR8EIX	6681	0.6
	YFM350 Big Bear 4WD	94→97	DR8EA	7162	DR8EVX	6354	DR8EIX	6681	0.8
	YFM350A, FWA Bruin 2WD/4WD	03→	DR8EA	7162	DR8EVX	6354	DR8EIX	6681	0.8
	YFM350ER	93→95	DR8ES	5423	DR9EVX	6361	DR9EIX	4772	0.7
	YFM350FWB	97→01	DR8EA	7162	DR8EVX	6354	DR8EIX	6681	0.7
	YFM350FX Wolverine	95→99	DR8EA	7162	DR8EVX	6354	DR8EIX	6681	0.7
	YFM350R Raptor	05→	DR8EA	7162	DR8EVX	6354	DR8EIX	6681	0.8
	YFM350U	96→01	DR8EA	7162	DR8EVX	6354	DR8EIX	6681	0.7
	YFM350X Warrior	87→04	DR8EA	7162	DR8EVX	6354	DR8EIX	6681	0.8
	YFZ350 Banshee	87→	BR8ES	5422			BR8EIX	5044	0.6
	360	G27A U-Max Utility/Golf Kart	04→06	BPR2ES	2264				
G29A		10→	BPR2ES	2264					0.7
YDR-A (The DRIVE)		07→	BPR2ES	2264					0.7
YTF2		10→	BPR2ES	2264					0.7
400	YFM400 Big Bear Professional Manual	00→06	DR8EA	7162	DR8EVX	6354	DR8EIX	6681	0.7
	YFM40 Big Bear Manual	07→	DR8EA	7162	DR8EVX	6354	DR8EIX	6681	0.7
	YFM400FWE Kodiak	1993	DR8ES-L	2923	DR8EVX	6354	DR8EIX	6681	0.7
	YFM400 Kodiak Manual	94→99	DR8EA	7162	DR8EVX	6354	DR8EIX	6681	0.7
	YFM400 Kodiak Auto	00→05	DR8EA	7162	DR8EVX	6354	DR8EIX	6681	0.7
	YFM4FAV Kodiak Auto	2006	DR8EA	7162	DR8EVX	6354	DR8EIX	6681	0.7
450	YFM450F Kodiak	03→05	DR8EA	7162	DR8EVX	6354	DR8EIX	6681	0.8
	YFM45 Kodiak	2006	DR8EA	7162	DR8EVX	6354	DR8EIX	6681	0.8
	YFM45 Grizzly	07→	DR8EA	7162	DR8EVX	6354	DR8EIX	6681	0.8



CC	MODEL	DATE	STANDARD COPPER CORE	STOCK NUMBER	PLATINUM OR GOLD PALLADIUM	STOCK NUMBER	IRIDIUM	STOCK NUMBER	GAP MM
<b>YAMAHA (CONTINUED)</b>									
450	YFM45 Grizzly EPS	10→	DR8EA	7162	DR8EVX	6354	DR8EIX	6681	0.8
	YFZ450	03→	CR8E	1275			CR8EIX	4218	0.8
	YFZ450R	09→	CR8E	1275			CR8EIX	4218	0.8
558	YFM550FWAD Grizzly	08→	LMAR6A-9	5946					0.9
600	YFM600FWA Grizzly	98→01	DPR8EA-9	4929			DPR8EIX-9	2202	0.9
660	YFM660FWA Grizzly	02→	DPR8EA-9	4929			DPR8EIX-9	2202	0.9
	YFM660R Raptor	01→05	DPR8EA-9	4929			DPR8EIX-9	2202	0.9
	YXR660 Rhino	04→07	DPR8EA-9	4929			DPR8EIX-9	2202	0.9
686	YXM700PE Viking	14→	CPR7EA-9	3901			CR7EIX	7385	0.8
700	YXR70FX Rhino Fi	08→	CPR7EA-9	3901			CR7EIX	7385	0.8
	YFM700R Raptor	06→07	CR8E	1275			CR8EIX	4218	0.6
	YFM700 Grizzly Fi (19mm Thread Reach)	07→08	CPR7EA-9	3901			CR7EIX	7385	0.9
	YFM700FWAD Grizzly Fi (26.5mm Thread Reach)	09→	LMAR6A-9	5946					0.9

# CONVERSION CHART

## IMPORTANT:

This chart is furnished as a guide only. Certain design differences may exist between our spark plugs and another manufacturers; heat ratings can also vary. Always refer to the main application data to select the recommended spark plug for specific engines.

AC DELCO	NGK → STOCK No.	AC DELCO	NGK → STOCK No.	AC DELCO	NGK → STOCK No.	AC DELCO	NGK → STOCK No.				
12620540	ILTR5D	5476	B4031	B4	3210	FR3LS6	BKR5E-11	6953	R44CF	BR5HS	3722
40TS	BP7FS	3612	B43	B6S	3510	FR3LSK	BKR5E	7938	R44CXL	BR6ES	4922
41-108	ILTR5D	5476	B44S	BP5S	3011	FR4LE	ZFR4F-11	4043	R44CXLS	BPR5ES	7422
41-2XLS	BP7ES	2412	B45	B4	3210	FR5LS	BCPR5ES	6130	R44F	BR5HS	3722
41-4XLS	BP6ES	7811	C42-1	B6S	3510	LM46	B4LM	3410	R44LTS	BPR5EFS	2223
41-932	PTR5D-13	6644	C42CFS	BP6HS	4511	LM49	B4LM	3410	R44N	BR6ES	4922
41-933	PTR4B-15	5146	C42CLTS	BP6EFS	3812	M40FFX	B9HS-10	3626	R44NS	BPR5ES	7422
41-950	PTR5C-13	7740	C42CXLS	BP6ES	7811	M41FF	B8HS	5510	R44S	BP5S	3011
41-983	PZTR5A-15	7862	C42LTS	BP6EFS	3812	M41K	B8S	3810	R44T	BR5FS	4123
41-993	PTR4B-15	5146	C42N	B7ES	1111	M42FF	B7HS	5110	R44TS	BPR5FS	2423
41TS	BP6FS	3512	C42XLS	BP5ES	6511	M42K	B7S	3710	R44TSX	BPR5FS-15	3124
41XL	B9ES	2611	C43	B6S	3510	M43FF	B6HS	4510	R44TX	BR5FS-15	2224
41XLS	BP7ES	2412	C43CXLS	BP6ES	7811	M44C	B6S	3510	R44XL	BR6ES	4922
420Z	B4H	4110	C43L	B6L	3212	M44L	B6L	3212	R44XLS	BPR5ES	7422
422Z	B5HS	4210	C43N	B6ES	7310	M45	B4	3210	R44XLSE	ZGR5C	6334
425Z	B6HS	4510	C44	B6S	3510	M45FF	B5HS	4210	R44XLSM	ZGR5C	6334
42-6FS	BP6HS	4511	C44N	B6ES	7310	M47	B4	3210	R45NS	BPR5ES	7422
42F	B6HS	4510	C44NS	BP5ES	6511	MB42K	B6S	3510	R45NSX	BPR5ES-13	3154
42FS	BP6HS	4511	C44S	BP5S	3011	MR42K	BR6S	3522	R45S	BP5S	3011
42TS	BP6FS	3512	C44XL	B6ES	7310	MR43LTS	BPR6EFS	3623	R45T	BR5FS	4123
42XL	B8ES	2411	C45	B4	3210	MR43T	BR6FS	4323	R45TS	BPR4FS	1127
42XLS	BP6ES	7811	C45L	B4L	3112	MR44C	BR6S	3522	R45TSX	BPR4FS-15	2727
42ZZ	B6HS	4511	C49	B2	3110	MR44T	BR5FS	4123	R45XL	BR6ES	4922
430Z	B7HS	5110	C73	G2Z	3320	R41-5TS	BPR6FS	2623	R45XLS	BPR5ES	7422
436XLS	BP9ES	7526	C75	G2Z	3320	R41CF	BR7HS	4122	R46	BR6S	3522
438XL	B8ES	2411	C81	AB8	7909	R41CXL	BR9ES	5722	R46LTS	BPR5EFS	2223
438XLS	BP8ES	2912	C82	AB7	3010	R41CXLS	BPR7ES	2023	R46N	BR5ES	4722
43FS	BP6HS	4511	C83	AB7	3010	R41TS	BPR6FS	2623	R46S	BP4	2911
43N	B7ES	1111	C83T	A6FS	2210	R42-5LTS	BPR6EFS	3623	R46T	BR5FS	4123
43TS	BP6FS	3512	C84T	A6FS	2210	R42-5TS	BPR6FS	2623	R46TS	BPR4FS	1127
43XL	B7ES	1111	C86	AB6	2910	R42-6FS	BPR6HS	7022	R46TSX	BPR4FS-15	2727
43XLS	BP6ES	7811	C87	AB6	2910	R42CF	BR6HS	3922	R46TX	BR5FS-15	2224
44	B6S	3510	C88	AB2	3020	R42CFS	BPR6HS	7022	R46XL	BR5ES	4722
440T	B7FS	3027	C88L	AB2	3020	R42CLTS	BPR6EFS	3623	R46XLS	BPR4ES	7222
440XLS	BP8ES	2912	CFR1CLS	BCPR7ES	3330	R42CT	BR6FS	4323	R47S	BP4	2911
445Z	B8HS	5510	CFR2CLS	BKR6E	6962	R42CTS	BPR6FS	2623	R83CTS	APR6FS	2922
44F	B5HS	4210	CR42CFS	BPR6FS	2623	R42CXL	BR8ES	5422	R83TS	APR6FS	2922
44FF	B5HS	4210	CR42CXLS	BPR6ES	7822	R42CXLS	BPR6ES	7822	R84TS	APR5FS	3122
44FFS	BP5HS	4111	CR42N	BR7ES	5122	R42FS	BPR6HS	7022	R85TS	APR5FS	3122
44N	B6ES	7310	CR43	BR6S	3522	R42LTS	BPR6EFS	3623	S102F	C7HSA	4629
44NS	BP5ES	6511	CR43CXLS	BPR6ES	7822	R42T	BR6FS	4323	S104F	C6HSA	3228
44S	BP5S	3011	CR43K	BR6S	3522	R42TS	BPR6FS	2623	S121F	D8HA	7112
44TS	BP5FS	3412	CR43N	BR6ES	4922	R42TSM	BPR6FS	2623	S121XL	D8EA	2120
44XL	B6ES	7310	CR43TS	BPR5FS-11	2924	R42XL	BR8ES	5422	S122F	D8HA	7112
44XLO	BP5ES	6511	CR43TSM	BPR5FS-11	2924	R42XLS	BPR6ES	7822	S123XL	D7EA	7912
44XLS	BP5ES	6511	CR44N	BR6ES	4922	R42XLSM	ZGR5C	6334	S124FS	D6HA	6512
45	B4	3210	CR44NS	BPR5ES	7422	R43	BR6S	3522	S404XLG	B10EG	3630
45F	B5HS	4210	CR44TS	BPR5FS-11	2924	R43C	BR6S	3522	S408XLG	B9EG	3530
45FFS	BP5HS	4111	CS40	BM7A	6521	R43CFS	BPR6HS	7022	S40F	B9HS	5810
45L	B4L	3112	CS41	BM7A	6521	R43CT	BR6FS	4323	S40FR	BR9HS	4522
45NS	BP5ES	6511	CS41T	BM7F	6421	R43CTS	BPR6FS	2623	S40XLG	B9ECS	7058
45S	BP5S	3011	CS42	BM7A	6521	R43CTS6	BPR6FS	2623	S40XLR	BR8ES	5422
45XL	B6ES	7310	CS42S	BM7A	6521	R43CXL	BR7ES	5122	S41F	B8HS	5510
45XLS	BP5ES	6511	CS42T	BM6F	6221	R43CXLS	BPR6ES	7822	S41FR	BR8HS	4322
46	B4	3210	CS45	BM6A	5921	R43FS	BPR6HS	7022	S41XL	B9ES	2611
46F	B5HS	4210	CS45T	BM6F	6221	R43LTS	BPR6EFS	3623	S41XLG	B8ECS	2821
46FFS	BP5HS	4111	CS49	BM4A	5628	R43N	BR7ES	5122	S41XLR	BR9ES	5722
46N	B5ES	6410	CSR45	BMR6A	7421	R43T	BR6FS	4323	S42	B7S	3710
46S	BP5S	3011	FR2LS	BKR6E	6962	R43TS	BPR6FS	2623	S42F	B7HS	5110
46XL	B5ES	6410	FR2LSK	BKR6E	6962	R43TSK	BPR6FS	2623	S42FR	BR7HS	4122
47XL	B4ES	4129	FR3CLS	BKR5E	7938	R43TSX	BPR6FS	2623	S42XL	B8ES	2411
83CTS	AP6FS	2710	FR3CLS6	BKR5E-11	6953	R43XL	BR7ES	5122	S42XLR	BR8ES	5422
83TS	AP6FS	2710	FR3LM	ZFR5A-11	5084	R43XLS	BPR6ES	7822	S43XL	B7ES	1111
84T	A6FS	2210	FR3LS	BKR5E	7938	R44	BR6S	3522	S43XLR	BR7ES	5122



<b>AUTOLITE</b>	<b>NGK → STOCK No.</b>	<b>BERU</b>	<b>NGK → STOCK No.</b>	<b>BERU</b>	<b>NGK → STOCK No.</b>	<b>BERU</b>	<b>NGK → STOCK No.</b>				
3462	BR7ES	5122	14-10B	BP4HS	3611	14-8LUR	ZGR5A	5839	14KR-6BU	BPR6FS	2623
3463	BR6ES	4922	14-10C	B4ES	4129	14-9C	B5ES	6410	14KR-6DU	BPR6EFS	3623
3464	BR6ES	4922	14-10E	B4	3210	14-9D	BP5ES	6511	14KR-6ZPPV	PTR5A-10	5055
3465	BR5ES	4722	14-10F	BP4	2911	14-9DTU	BP5ET	2287	14KR-7DUX	BPR6EFS	3623
3466	BR5ES	4722	14-3A1	B8HS	5510	14-9DU	BP5ES	6511	14KR-8MPX	TR5A-10	0005
3485	BR5HS	3722	14-3AS1	B8HVX	2634	14-9DUO	BP5ES	6511	14KR-8MUV	PTR5A-10	5055
3486	BR5HS	3722	14-3AS1	BR8HIX	7001	14-9EUO	B4LM	3410	14R-11F	BP4	2911
3507	B6L	3212	14-3AU	B8HS	5510	14F-03DAR	BKR6EK	2288	14R-5DU	BPR7ES	2023
3565	BPR5EFS	2223	14-3CS1	BR8EIX	5044	14F-5DU	BCP7ES	5030	14R-6B	BPR6HS	7022
3604	BPR5FS-15	3124	14-3DP2	BR8EIX	5044	14F-6DSR	BKR6E	6962	14R-6BU	BPR6HS	7022
3605	BPR4FS-15	2727	14-4A1	B8HS	5510	14F-6DTU	BCP6ET	4563	14R-6D	BPR6ES	7822
3606	BPR4FS-15	2727	14-4A2	B7HS	5110	14F-6DUO	BCP6ES	4930	14R-6DU	BPR6ES	7822
3607	BPR4FS-15	2727	14-4AS1	B8HVX	2634	14F-6DUOR	BKR6E	6962	14R-7B	BPR6HS	7022
3624	BR6FS	4323	14-4AS1	BR8HIX	7001	14F-6DPUR021	PFR7B		14R-7BU	BPR6HS	7022
3627	BR5FS-15	2224	14-4AU	B7HS	5110	14F-7DPURX2	IFR6D10	5344	14R-7CU	BR6ES	4922
3666	B4LM	3410	14-4B2	BP7HS	5111	14F-7DU	BCP6ES	4930	14R-7D	BPR6ES	7822
3684	BR7HS	4122	14-4C1	B8ES	2411	14F-7DUO	BCP6ES	4930	14R-7DU	BPR6ES	7822
3686	BR6HS	3922	14-4C2	B7ES	1111	14F-7DUOR	BKR6E	6962	14R-7DUX	BPR6EY-11	4228
3702	BR9ES	5722	14-4CS1	BR8EIX	5044	14F-7HUR2	ZFR5P-G	6893	14R-8DU	BPR5EY	2828
3703	BR9ES	5722	14-4DPO	BP7ES	2412	14F-7LDUR	BKR6EK	2288	14R-8DUX	BPR5ES-11	4424
3704	BR8ES	5422	145/14	B5HS	4210	14F-7LDUR4	BKR6EK	2288	14R-9DU	BPR5ES	7422
3705	BR6ES	4922	145/14/3	B5ES	6410	14F-8DU	BCP5ES	7496	14R-9EUO	BR6S	3522
3706	BR6ES	4922	145/14/3A	BP5ES	6511	14F-8DUO	BCP5ES	7496	14S-5A	BL-6H	6921
3724	BPR5EFS	2223	145/14/5	B4	3210	14F-8LDUSR	BKR6EK	2288	14S-5F	BPM7A	7321
3885	ZGR5C	6334	145/14/5A	BP5S	3011	14F-8LUR	ZFR5F	5165	14S-7A	BL-6H	6921
3896	ZGR5C	6334	145/14/5AMX	BPM6A	7021	14F-9DUO	BCP5ES	7496	14S-7E	BM6A	5921
3922	BCPR7ES	3330	145/18	AB6	2910	14FGH-6DTUR	BKUR7ET	7873	14S-7F	BPM6A	7021
3924	BKR6E	6962	145/1A	BP5HS	4111	14FGH-7DTURX	BKUR6ET-10	2397	14S-8F	BPM6A	7021
3926	BKR5E	7938	14-5A	B7HS	5110	14FGH-8DPURX2	PFR5G-11	2647	14SR-6F	BPMR6A	6726
3954	D8EA	2120	14-5AU	B7HS	5110	14FGH-8DTURX0	BKUR5ET	2789	14-XAU	B6HS	4510
3964	DR8ES-L	2923	14-5B	BP7HS	5111	14FGR-6DDU	BKR6EKUB	3584	14Z-2C1	BR9EIX	3981
3985	BPR5FS-15	3124	14-5BU	BP7HS	5111	14FGR-7CTU	BCPR7ET	2164	14Z-3A1	B9HS	5810
4043	BPR6ES-11	4824	14-5C	B7ES	1111	14FGR-8DQU7	BKR5EQUB	1567	14Z-3AU	B8HS	5510
4052	B9ES	2611	14-5CS	B7ECS	2528	14FLR-8LDUX	BKR5EK	7956	14Z-3C1	B9ES	2611
4053	B9ES	2611	14-5D	BP7ES	2412	14FR-5DTU	BCPR7ET	2164	14Z-3CU	B8ES	2411
4054	B8ES	2411	14-5D1	BP7ES	2412	14FR-5DU	BCPR7ES	3330	14Z-4AU	B8HS	5510
4055	B7ES	1111	14-5DP1	BP7ES	2412	14FR-6DU	BKR6E	6962	14Z-6A2	B6HS	4510
4056	B6ES	7310	14-5DTU	BP6ET	1263	14FR-6DUX	BCPR6ES-11	7121	14Z-7AU	B7HS	5110
4062	BR9ES	5722	14-5DU	BP7ES	2412	14FR-6LDU3	BKR6EKE	5649	160/14/3	B6ES	7310
4063	BR9ES	5722	14-5DUO	BP7ES	2412	14FR-7DU	BKR6E	6962	175/14	B6HS	4510
4092	B7HS	5110	14-5E	B7S	3710	14FR-7DU2	BKR6EZ	4619	175/14/3	B6ES	7310
4093	B7HS	5110	14-6B	BP6HS	4511	14FR-7DUX	BKR6E-11	2756	175/14/3A	BP6ES	7811
4113	BP6HS	4511	14-6BU	BP6HS	4511	14FR-7KPU	BKR6EP-8	2215	175/14/5	B6S	3510
4114	BP6HS	4511	14-6C	B6ES	7310	14FR-7KPUV	BCPR6EP-11	3350	175/14/5AMX	BPM6A	7021
4123	BPR6HS	7022	14-6D	BP6ES	7811	14FR-7KPUX	BCPR6EP-11	3350	175/14/UK4	BL-6H	6921
4132	D8EA	2120	14-6D1	BP6ES	7811	14FR-7KU	BKR6EY	3696	175/14A	BP6HS	4511
4143	DR8ES-L	2923	14-6DPO	BP6ES	7811	14FR-7KUO	BKR6EYA	2249	175/18	AB6	2910
4153	DPR8EA-9	4929	14-6DTU	BP6ET	1263	14FR-7KUOX	BKR6EYA-11	4073	175/18K	AP6FS	2710
4162	DPR9EA-9	5329	14-6DU	BP6ES	7811	14FR-7LDU	BKR6EKC	2848	18-10A	AB6	2910
4163	DR8ES-L	2923	14-6DUO	BP6ESZ	7639	14FR-7LUX	ZFR6F-11	4291	18-10AU	AB6	2910
4164	D7EA	7912	14-7A	B6HS	4510	14FR-8DU	BKR5E	7938	18-12B	AB2	3020
4173	D8HA	7112	14-7AU	B6HS	4510	14FR-8DUX	BCPR5ES-11	3524	18-4A1	AB7	3010
4193	C7HSA	4629	14-7B	BP6HS	4511	14FR-8HU	BCRE527Y	2074	18-4A2	AB7	3010
4203	CR7HS	7223	14-7BU	BP6HS	4511	14FR-8KU	BKR5EY	7390	18-5A	AB7	3010
4251	BP8ES	2912	14-7C	B6ES	7310	14FR-8KUO	BKR5EYA	2087	18-5AS	AB7	3010
4252	BP7ES	2412	14-7CU	B6ES	7310	14FR-8KUOU	BKR5EYA-11	2526	18-5AU	AB7	3010
4253	BP6ES	7811	14-7D	BP6ES	7811	14G-8DTU	BP6ET	1263	18-7A	AB6	2910
4263	BPR6ES	7822	14-7DTU	BP6ET	1263	14GH-7DTUR	BUR6ET	3172	18-7AU	AB7	3010
4265	BPR5ES	7422	14-7DU	BP6ES	7811	14GH-8DTUR	BUR5ET	3377	18-8A	AB6	2910
4275	BP5S	3011	14-7DUO	BP6ESZ	7639	14GH-8DTURX	BUR5ET-10	7264	18K-6BU	AP6FS	2710
9062	BP6ET	1263	14-7E	B6S	3510	14GR-8DTU	BPR5EKU	5685	18K-7B	AP6FS	2710
9063	BP6ET	1263	14-8A	B5HS	4210	14K-5DU	BP7EFS	3526	18K-7BU	AP6FS	2710
9064	BP5ET	2287	14-8AU	B5HS	4210	14K-5DUO	BP7EFS	3526	190/14Z	B6HS	4510
9921	BCPR6ET	2197	14-8B	BP5HS	4111	14K-6D	BP6EFS	3812	200/14/3	B6ES	7310
			14-8BU	BP5HS	4111	14K-6DU	BP6EFS	3812	200/14/3A	BP6ES	7811
			14-8C	B5ES	6410	14K-6DUO	BP6EFS	3812	200/14/3K	BP6EFS	3812
			14-8C1	B6ES	7310	14K-7D	BP6EFS	3812	200/14A	BP6HS	4511
			14-8D	BP5ES	6511	14K-7DU	BP6EFS	3812	215/14/3A	BP6ES	7811
			14-8DTU	BP5ET	2287	14K-7DUO	BP6EFS	3812	225/14	B7HS	5110
			14-8DTU EA1,0	BP5ET-10	5156	14K-8DU	BP5EFS	3712	225/14/3	B7ES	1111
			14-8DU	BP5ES	6511	14K-8DUO	BP5EFS	3712	225/14/3A	BP7ES	2412
			14-8DUO	BP5ES	6511	14K-9DU	BP5EFS	3712	225/14/3S	B7ECS	2528
			14-8E	B4	3210	14K-9DUO	BP5EFS	3712	225/14/5	B7S	3710
			14-8F	BP5S	3011	14KGR-6KQU	BUR6EFSZ	6837	225/14/5AMX	BPM7A	7321

BERU	NGK → STOCK No.	
225/14/UK4	BL-6H	6921
225/14A	BP7HS	5111
225/18	AB7	3010
225/18S	AB7	3010
230/14/3A	BP7ES	2412
235/14/3P	BP7ES	2412
240/14	B7HS	5110
240/14/3	B7ES	1111
240/14A	BP7HS	5111
240/14S	B8HVX	2634
240/14S	BR8HIX	7001
240/18	AB7	3010
260/14	B8HS	5510
260/14/3	B8ES	2411
260/14S	B8HVX	2634
260/14S	BR8HIX	7001
260/18	AB8	7909
265/14/3P	BR8EIX	5044
280/14	B8HS	5510
280/14/3S	BR8EIX	5044
280/14/3Z	B9ES	2611
280/14Z	B9HS	5810
310/14/3Z	BR9EIX	3981
95/14	B4H	4110
95/14/3	B4ES	4129
95/14/5	B4	3210
95/14/5A	BP4	2911
95/14A	BP4HS	3611
95/18	AB6	2910
D 215/14/3 (14/5/C)	B7ES	1111
D175/14	B6HS	4510
D175/14/3	B6ES	7310
D200/14/3A	BP6ES	7811
D215/14/3	BP6ES	7811
D230/14/3A	BP7ES	2412
RS33	BPR5EIX	6597
RS35	BPR6EIX	6637
RS37	BPR7EIX	4055
RS39	BPR7EIX	4055
Z 1	BP5ES	6511
Z 2	BP5ET	2287
Z 3	ZGR5A	5839
Z 4	ZFR5F	5165
Z 5	BCP5ES	7496
Z 6	BP5EFS	3712
Z 7	BP5EFS	3712
Z 8	BPR5ES	7422
Z 9	BPR5ES-11	4424
Z 10	BP6HS	4511
Z 11	BP6ES	7811
Z 12	BP6ET	1263
Z 13	BKR6E	6962
Z 14	BKR6EK	2288
Z 15	BKR6E	6962
Z 16	BCPR6ES-11	7121
Z 17	BP6EFS	3812
Z 18	BP6EFS	3812
Z 19	BPR6HS	7022
Z 20	BPR6ES	7822
Z 21	BPR6ES-11	4824
Z 22	BP6ES	7811
Z 23	BKR6E	6962
Z 24	BKR6E	6962
Z 25	BP6EFS	3812
Z 26	BPR6EFS	3623
Z 27	BPR6ES	7822
Z 28	BPR6ES-11	4824
Z 29	BCP7ES	5030
Z 30	BCPR7ES	3330
Z 31	BP7EFS	3526
Z 32	AP6FS	2710
Z 33	AP6FS	2710
Z 35	D7EA	7912
Z 36	D7EA	7912

BERU	NGK → STOCK No.	
Z 37	B9HS	5810
Z 38	B9ES	2611
Z 39	B8HS	5510
Z 40	B7HS	5110
Z 41	BP7HS	5111
Z 42	BP7ES	2412
Z 43	BP7ES	2412
Z 44	BP6ET	1263
Z 45	BCPR7ET	2164
Z 46	BP7EFS	3526
Z 47	BPR7ES	2023
Z 48	BP6HS	4511
Z 49	BPR6FS	2623
Z 50	BP6ESZ	7639
Z 51	BP6ET	1263
Z 52	BCP6ET	4563
Z 53	BCP6ET	4563
Z 54	BCP6ES	4930
Z 55	BP6EFS	3812
Z 56	BP6EFS	3812
Z 57	B6HS	4510
Z 58	B6ES	7310
Z 59	BR6ES	4922
Z 60	BCPR7ET	2164
Z 61	BP6ESZ	7639
Z 62	BP6ESZ	7639
Z 63	BCP6ES	4930
Z 64	BCP6ES	4930
Z 66	BP6EFS	3812
Z 68	B5HS	4210
Z 71	BCP5ES	7496
Z 72	BCPR5ES	6130
Z 73	BCPR5ES-11	3524
Z 74	BKR5EK	7956
Z 75	BUR5ET	3377
Z 76	BP5ES	6511
Z 78	BP5ET	2287
Z 79	BCP5ES	7496
Z 80	BP5EFS	3712
Z 81	BP5EFS	3712
Z 82	BPR5ES	7422
Z 83	B4LM	3410
Z 84	BR4LM	4133
Z 85	B6HS	4510
Z 86	AB7	3010
Z 87	AB7	3010
Z 88	AB6	2910
Z 89	BKUR6ET	6437
Z 90	BKUR6ET-10	2397
Z 91	BUR6ET	3172
Z 92	BUR5ET	3377
Z 93	BUR5ET-10	7264
Z 94	BPR5EKU	5685
Z 95	BPR6EFS	3623
Z 97	PTR5A-10	5055
Z 99	BCPR6ES-11	7121
Z 100	BKR6ES	3783
Z 101	BKR6EK	2288
Z 103	BP7ES	2412
Z 104	BP6ES	7811
Z 105	BKR6E	6962
Z 107	BP4	2911
Z 112	B4	3210
Z 144	BUR6EFSZ	6837
Z 145	BKR6EKUB	3584
Z 149	BCPR6EP-11	3350
Z 150	BCPR6EP-11	3350
Z 151	BKR6EP-8	2215
Z 152	BCRE527Y	2074
Z 153	BKR5EY	7390
Z 154	BKR5EYA	2087
Z 155	BKR6EY	3696
Z 156	BKR6EYA	2249
Z 157	BKR6EYA-11	4073

BERU	NGK → STOCK No.	
Z 158	ZFR6F-11	4291
Z 315	PLTR6A-10G	3587
BMW	NGK → STOCK No.	
12 12 0 022 902	DCPR8EKP	7415
12 12 0 030 548	BKR6EQUP	3199
12 12 0 031 708	BKR7EQUP	4285
12 12 0 032 134	IzFR6H11	4294
12 12 0 032 135	IzFR6H11	4294
12 12 0 032 136	BKR6EQU	6002
12 12 0 032 137	ILZFR6D11	1208
12 12 0 032 273	LKR8AP	4471
12 12 0 034 091	ZKBR7A-HTU	91785
12 12 0 034 098	PLZKBR7A-G	5843
12 12 0 035 915	PLZFR6A-11S	5987
12 12 0 035 531	ILZKBR7A-8G	5992
12 12 0 037 607	BKR6EQUP	3199
12 12 0 038 349	ZKBR7A-HTU	91785
12 12 0 141 871	BKR6EQUP	3199
12 12 1 435 955	BKR6EQUP	3199
12 12 2 158 252	IzFR6H11	4294
12 12 2 343 144	D8EA	2120
12 12 7 653 439	CR8EB	7784
12 12 7 653 771	BKR7EKC	7354
12 12 7 690 603	DCPR8E	4339
12 12 7 681 415	DCPR8EKC	7168
12 12 9 061 870	ZFR5F	5165
12 12 9 063 428	BKR6EK	2288
12 12 9 064 617	BKR6EK	2288
12 12 9 064 619	BKR6EK	2288
12 12 9 064 656	BKR6EK	2288
12 12 9 065 366	BKR6EK	2288
12 12 9 069 048	PKR7A	3641
12 12 9 071 003	BKR6EQUP	3199
13 12 0 032 134	IzFR6H11	4294
75 50 01102	ZKBR7A-HTU	91785
7 650 676	BKR6EKC	2848
7 653 771	BKR6EKC	2848
BONON - see CHINESE BRANDS		
BOSCH	NGK → STOCK No.	
+1	BPR6ES	7822
+2	BUR6ET	3172
+3	BPR5ES	7422
+4	BUR5ET	3377
+5	BPR6EFS	3623
+6	BKR5E	7938
+7	BKR6EKC	2848
+8	BKR6E	6962
+9	BKR5EK	7956
+10	BPR6HS	7022
+11	BCPR6ES-11	7121
+12	BPR6ES	7822
+13	BKR6E	6962
+14	BPR5EFS	2223
+15	BPR7ES	2023
+16	BPR5ES	7422
+17	PTR5A-10	5055
+18	BPR6EFS	3623
+19	BKR5E-11	6953
+20	BPR5HS	6222
+21	BPR6ES-11	4824
+22	BPR5ES-11	4424
+23	BKR6EKUB	3584
+24	PFR6B	3500
+25	BPR4FS	1127
+32	ZFR6F-11	4291
+33	BPR4FS-15	2727
+34	ZGR5A	5839
+36	BKR5EKB-11	3967
+39	TR5B-13	4559
+40	LZKAR7A	6799
+41	DCPR7E-N-10	4983

BOSCH	NGK → STOCK No.	
+42	LFRR6B	6677
+43	BKR5EYA-11	2526
+44	BKUR5ET-10	7553
+45	PFR5G-11	2647
+47	BKR5EYA	2087
+48	BKR6EQUP	3199
+49	PTR6F-13	7569
+53	BKR6EK	2288
0 241 056 501 C7E		5096
0 241 056 502 CR7HS		7223
0 241 145 500 D7EA		7912
0 241 150 504 D8EA		2120
0 241 155 500 D9EA		2420
0 241 200 500 BUH		2422
0 241 215 503 B4LM		3410
0 241 219 540 B4H		4110
0 241 219 555 BPR4ES		7222
0 241 225 547 B4ES		4129
0 241 225 548 B4		3210
0 241 225 551 B4LM		3410
0 241 229 541 BM6F		6221
0 241 229 560 BM6A		5921
0 241 229 561 BPM6A		7021
0 241 229 580 B6S		3510
0 241 229 604 B5HS		4210
0 241 229 673 BCPR5ES		6130
0 241 229 712 BCP5ES		7496
0 241 229 714 BP5HS		4111
0 241 229 715 BP5ES		6511
0 241 229 716 BP5ET		2287
0 241 235 089 B6ES		7310
0 241 235 607 B6HS		4510
0 241 235 715 PZFR5D-11		7968
0 241 235 730 ZFR5P-G		6893
0 241 235 750 BCP6ES		4930
0 241 235 752 BKUR6ET-10		2397
0 241 235 753 BP6EFS		3812
0 241 235 754 BP6HS		4511
0 241 235 755 BP6ES		7811
0 241 235 756 BP6ET		1263
0 241 235 757 BUR6ET		3172
0 241 240 575 BPR6EIX-11		3903
0 241 240 585 BKR6EIX		6418
0 241 240 609 BCP6ET		4563
0 241 245 539 BM7F		6421
0 241 245 554 BM7A		6521
0 241 245 555 BPM7A		7321
0 241 245 580 B7HS		5110
0 241 245 581 B7ES		1111
0 241 245 592 B7S		3710
0 241 245 636 BP7EFS		3526
0 241 245 641 PFR7B		4853
0 241 245 655 BCP7ES		5030
0 241 245 872 BP7ES		2412
0 241 248 538 B8ES		2411
0 241 252 522 BR8EIX		5044
0 241 255 505 B8EFS		1049
0 241 256 503 BP8ES		2912
0 241 256 512 B8HS		5510
0 241 256 514 B8HVX		2634
0 241 256 515 BR9EIX		3981
0 241 256 517 BP8EVX		2671
0 241 256 522 B9ES		2611
0 241 260 507 B9HS		5810
0 241 260 510 B9EFS		1085
0 241 262 505 BR9HIX		5687
0 241 262 506 BR10EIX		6801
0 241 268 506 B10EGV		5927
0 241 274 504 B10HVX		2940
0 241 274 504 BR10HIX		6692
0 241 274 505 B10EGV		5927
0 241 280 503 B11EGV		5831
0 241 325 509 APR5FS		3122
0 241 335 520 A6FS		2210



BOSCH	NGK → STOCK No.	BOSCH	NGK → STOCK No.	BOSCH	NGK → STOCK No.	BOSCH	NGK → STOCK No.		
0 241 340 503 AP6FS	2710	0 242 229 661 LTR6B-10T	5948	0 242 250 503 BR8ES	5422	FGR6KQC	BKR6EQUIP	3199	
0 242 035 500 CMR6H	3365	0 242 229 671 BKR5EKB-11	3967	0 242 250 506 BR8HS	4322	FGR7DQE	BKR6EKUB	3584	
0 242 040 003 CPR7EA-9	3901	0 242 229 687 BPR5ES-11	4424	0 242 255 501 BR9ET	4528	FGR7DQE+	BKR6EKUB	3584	
0 242 050 500 CR6HS	7023	0 242 229 699 ZFR5F	5165	0 242 255 502 BR9ES	5722	FGR7DQEO	BKR6EKUB	3584	
0 242 055 500 CR7HS	7223	0 242 229 706 BKR5SET-10	7553	0 242 265 500 BR10ES	4832	FGR7DQP	BKR6EQUIP	3199	
0 242 055 501 CR7HS	7223	0 242 229 708 PLFR5A-11	6240	0 242 268 500 BR9HS	4522	FGR7DQP+	BKR6EQUIP	3199	
0 242 060 501 CR8E	1275	0 242 229 713 PFR5G-11	2647	0 242 335 504 APR6FS	2922	FGR7KQC	BKR6EQUIP	3199	
0 242 060 505 CR8EK	3478	0 242 229 724 BKR6EZB	4293	D10BC	APR5FS	3122	FGR7KQE	BKR6EQUIP	3199
0 242 065 502 IMR9C-9H	6777	0 242 229 739 PTR5A-10	5055	D6B	AP6FS	2710	FGR7KQEO	BKR6EQUIP	3199
0 242 068 501 CR9EH-9	7502	0 242 229 779 ZGR5A	5839	D6BC	AP6FS	2710	FGR8KQEO	BKR5EQUB	1567
0 242 074 500 CR9EK	4548	0 242 229 785 TR5B-13	4559	D6BP	AP6FS	2710	FLR8LDCU	BKR5EK	7956
0 242 080 500 CR10EK	2360	0 242 229 797 LFR6B	6677	D7A	A6FS	2210	FLR8LDCU+	BKR5EK	7956
0 242 129 503 LZKAR7A	6799	0 242 229 798 BKR5EYA-11	2526	D7AC	A6FS	2210	FLR8LDU+	BKR5EK	7956
0 242 129 508 LZKAR7A	6799	0 242 230 500 PFR5G-11	2647	D7B	AP6FS	2710	F03DAR	BKR6EK	2288
0 242 129 512 PLZKBR7A-G	5843	0 242 230 506 IZFR5B	4080	D7BC	AP6FS	2710	FQR8DE	BKR6EZB	4293
0 242 129 514 DILKAR6A11	9029	0 242 230 519 IFR5E13	6903	D7BP	AP6FS	2710	FQR8LE2	ZFR5F	5165
0 242 129 515 LZKR6B-10E	1578	0 242 230 528 BPR6EFIX-10	94658	D8BC	APR5FS	3122	FQR8LEU2	ZFR5F	5165
0 242 135 501 DCPR8E-N	5692	0 242 230 534 IFR5N10	7866	D9BC	APR5FS	3122	FR5DC	BCPR7ES	3330
0 242 135 502 DPR7EA-9	5129	0 242 235 529 BPR6ES	7822	DR10B	APR5FS	3122	FR5DC+	BCPR7ES	3330
0 242 135 509 PLKR7A	4288	0 242 235 532 BR6ES	4922	DR10BC	APR5FS	3122	FR5DCX	BCPR7ES-11	1095
0 242 135 510 IZKR7B	7563	0 242 235 533 BR6HS	3922	DR6BC	APR6FS	2922	FR5DP	BCPR7ES	3330
0 242 135 515 DCPR7E-N-10	4983	0 242 235 547 BKR6E-11	2756	DR6BP	APR6FS	2922	FR5DTC	BCPR7ET	2164
0 242 135 518 PLZKBR7A-G	5843	0 242 235 556 BKR6E	6962	DR7BC	APR6FS	2922	FR5KPP332S	PFR7S8EG	1675
0 242 135 524 PLZKAR6A-11	5118	0 242 235 567 ZFR6F-11	4291	DR7BP	APR6FS	2922	FR5LDC	BKR7EKC	7354
0 242 140 504 DCPR8EK	7168	0 242 235 642 BKR6EKUB	3584	DR8B	APR5FS	3122	FR6D+	BKR6ES	3783
0 242 140 512 PLKR7B8E	94716	0 242 235 661 BPR6EFS	3623	DR8BC	APR5FS	3122	FR6DC	BKR6E	6962
0 242 140 519 DCPR7EA-9	6651	0 242 235 663 BPR6ES	7822	DR8BP	APR5FS	3122	FR6DC+	BKR6E	6962
0 242 140 528 ILZKR7A	1961	0 242 235 665 BPR6HS	7022	DR9B	APR5FS	3122	FR6DC2	BKR6E	6962
0 242 140 530 LZKAR7B	5942	0 242 235 666 BKR6E	6962	DR9BC	APR5FS	3122	FR6DCX	BCPR6ES-11	7121
0 242 145 500 DR7EA	7839	0 242 235 667 BCPR6ES-11	7121	F04DAR	BKR6EK	2288	FR6DDC	BKR7EKC-N	2095
0 242 145 523 LKAR8A-9	4786	0 242 235 668 BKR6EKC	2848	F5DC	BCP7ES	5030	FR6DP	BKR6EP-8	2215
0 242 150 500 DR8HS	5123	0 242 235 690 PFR6N-11	3546	F5DP	BCP7ES	5030	FR6DP1X	BKR6EP-11	2978
0 242 150 501 DR8ES	5423	0 242 235 715 BKR6EQUIP	3199	F5DPPOR	PFR7B	4853	FR6DPP332	PFR6B	3500
0 242 150 505 DPR8EA-9	5129	0 242 235 725 BMR6A	7421	F5DTC	BCP7ET	2078	FR6DPX	BCPR6ES-11	7121
0 242 160 501 DR8ES	5423	0 242 235 740 PFR6Q	6458	F6DC	BCP6ES	4930	FR6DTC	BCPR6ET	2197
0 242 160 502 JR9C	6193	0 242 235 743 ILFR6B	6481	F6DCO	BCP6ES	4930	FR6DTCW	BCPR6ET	2197
0 242 160 503 DR9EA	3437	0 242 235 746 PTR5A-10	5055	F6DCOR	BKR6E	6962	FR6KDC	BKR6EK	2288
0 242 215 502 BR4LM	4133	0 242 235 748 BKR6EKUB	3584	F6DCX	BCPR6ES-11	7121	FR6KDC+	BKR6EK	2288
0 242 219 004 BR4HS	3322	0 242 235 749 PFR6B	3500	F6DP	BCP6ES	4930	FR6KPP332S	PFR6Q	6458
0 242 219 512 BP4	2911	0 242 235 756 ILZFR6C-K	6645	F6DPPOR	PFR6Q	6458	FR6LDC	BKR6EKC	2848
0 242 219 514 BR5FS	4123	0 242 235 758 LFR6C-11	5788	F6DSR	BKR6EIX	6418	FR6LTC	BKUR7ET	7873
0 242 219 517 BPR4FS-11	2527	0 242 235 776 IZFR6H11	4294	F6DTC	BCP6ET	4563	FR6MPP10	ILFR6B	6481
0 242 225 523 BR5ES	4722	0 242 236 530 ZFR6T-11G	5960	F6KPP332S	PFR7S8EG	1675	FR6MPP332	ILFR6A	3588
0 242 225 526 BP5S	3011	0 242 236 542 ZFR6F-11	4291	F6LTCR	BKUR7ET	7873	FR7D+	BKR6ES	3783
0 242 225 528 ZGR5C	6334	0 242 236 561 BKR5EYA	2087	F6MPP332	ILFR6A	3588	FR7D+X	BKR6E-11	2756
0 242 225 537 ZFR4F-11	4043	0 242 236 562 BKR6EQUIP	3199	F7DC	BCP6ES	4930	FR7DC	BKR6E	6962
0 242 225 553 BPR5ES	7422	0 242 236 563 PTR6F-13	7569	F7DCO	BCP6ES	4930	FR7DC+	BKR6E	6962
0 242 225 573 BPR4FS	1127	0 242 236 576 IGR6A11	5743	F7DCOR	BKR6E	6962	FR7DCO	BKR6E	6962
0 242 225 580 ZFR6V-G	8894	0 242 240 506 BPMR6A	6726	F7DP	BCP6ES	4930	FR7DC2	BKR6E	6962
0 242 225 622 BPR4FS	1127	0 242 240 520 BPR6FS	2623	F7DPPER	IFR6D10	5344	FR7DC9	BKR6E	6962
0 242 225 641 BPR4FS-15	2727	0 242 240 530 BKR6EP-8	2215	F7DTC	BCP6ET	4563	FR7DCX	BCPR6ES-11	7121
0 242 225 659 TR5AI-13	90813	0 242 240 533 BCPR6ES-11	7121	F7HER02	ZFR6T-11G	5960	FR7DCX+	BCPR6ES-11	7121
0 242 229 514 BPMR6A	6726	0 242 240 561 BPR6HS	7022	F7HER2	ZFR5P-G	6893	FR7DE	BKR6EZ	4619
0 242 229 524 BR6S	3522	0 242 240 564 BKR7EKC-N	2095	F7HPP22	PZFR5D-11	7968	FR7DP	BKR6E	6962
0 242 229 528 BPR5FS	2423	0 242 240 590 ZFR6S-Q	6449	F7HPPRX	PZFR5D-11	7968	FR7DP1X	PFR6B-11	4014
0 242 229 529 BPR5FS-15	3124	0 242 240 591 BPR6EFS	3623	F7KPP332U	PFR6X-11	5757	FR7DPP+	PFR6B	3500
0 242 229 533 BR5ES	4722	0 242 240 592 BPR6ES	7822	F7KTCR	BKUR6ET	6437	FR7DPP10	BKR6EIX	6418
0 242 229 534 BR5HS	3722	0 242 240 593 BKR6E	6962	F7LCOR2	ZFR6F-11	4291	FR7DPP22U	PFR6N-11	3546
0 242 229 544 ZFR5F-11	2262	0 242 240 618 BKUR7ET	7873	F7LCR	ZFR6A-11	1041	FR7DPP33	PFR6Q	6458
0 242 229 549 BPR5FS-11	2924	0 242 240 619 ILFR6A	3588	F7LDCR	BKR6EK	2288	FR7DPX	BKR6E-11	2756
0 242 229 555 BPR5ES	7422	0 242 240 620 ITR6F13	4477	F7LTCR	BKUR6ET-10	2397	FR7DTC	BCPR6ET	2197
0 242 229 556 BR5ES	4722	0 242 240 648 BKR6EK	2288	F8DC	BCP5ES	7496	FR7HE02	ZFR6T-11G	5960
0 242 229 576 ZFR6F-11	4291	0 242 245 018 BKR7EKC	7354	F8DCO	BCP5ES	7496	FR7HPP332	PZFR5N-11T	7742
0 242 229 598 BKR5EVX	2546	0 242 245 514 BPR7EIX	4055	F8DCOR	BCPR5ES	6130	FR7KC	BKR5EYA	2087
0 242 229 630 LFR5B	7113	0 242 245 517 BR7HS	4122	F8DC4	BCP5ES	7496	FR7KC+	BKR5EYA	2087
0 242 229 643 BMR6A	7421	0 242 245 521 BR7ES	5122	F8DCX	BCPR5ES-11	3524	FR7KCV	BKR5EYA	2087
0 242 229 648 BKR5EQUB	1567	0 242 245 531 BPR7HS	6422	F8DPPER	PFR5G-11	2647	FR7KDC	BKR6EKC	2848
0 242 229 654 BKR5EK	7956	0 242 245 533 BPMR7A	4626	F8KTCR	BKUR5ET	2789	FR7KPP332	IZFR6H11	4294
0 242 229 655 BPR5EFS	2223	0 242 245 536 BCPR7ES	3330	F8LCR	ZFR5F	5165	FR7KTC	BKUR6ET-10	2397
0 242 229 656 BPR5ES	7422	0 242 245 539 BCPR7ET	2164	F8LCR2	ZFR5F	5165	FR7LC2	BKR6E	6962
0 242 229 657 BPR5HS	6222	0 242 245 550 BCPR7ES-11	1095	F8LDCR	BKR6EK	2288	FR7LCX	ZFR6F-11	4291
0 242 229 658 BUR5ET	3377	0 242 245 552 BPR7ES	2023	F9LCR	ZFR4F-11	4043	FR7LCX+	ZFR6F-11	4291
0 242 229 659 BKR5E	7938	0 242 245 559 BKR7EQUIP	4285	FGR5KQEO	BKR7EQUIP	4285	FR7LD	BKR6EK	2288
0 242 229 660 BKR5E-11	6953	0 242 245 576 PFR7S8EG	1675	FGR6HQEO	ZFR6S-Q	6449	FR7LD+	BKR6EK	2288

BOSCH	NGK → STOCK No.	BOSCH	NGK → STOCK No.	BOSCH	NGK → STOCK No.	BOSCH	NGK → STOCK No.
FR7LDC	BKR6EKC 2848	HLR8STEX	LTR6B-10T 5948	M145T5	AB6 2910	W145T1	B5HS 4210
FR7LDC+	BKR6EKC 2848	HR10A	BR5FS 4123	M175T1	AB6 2910	W145T1.1	B5HS 4210
FR7ME	LF6B 6677	HR10AC	BR5FS 4123	M225T1	AB7 3010	W145T2	B5ES 6410
FR7MPP10	ILFR6B 6481	HR10ACY	BR5FS-15 2224	M240T1	AB7 3010	W145T3	B6S 3510
FR7NI33	ILFR6B 6481	HR10AY	BR5FS-15 2224	M280T1	AB8 7909	W145T30	BP5ES 6511
FR7NPP33	ILZFR6C-K 6645	HR10B	BPR4FS 1127	M45T1	AB6 2910	W145T35	BP5HS 4111
FR7SE	LF6C-11 5788	HR10BC	BPR4FS 1127	M4A	AB7 3010	W145TR2	BR5ES 4722
FR7SI30	ILZFR6C-K 6645	HR10BCX	BPR4FS-11 2527	M4A1	AB8 7909	W145TR3	BR6S 3522
FR8D+	BKR5E 7938	HR10BCY	BPR4FS-15 2727	M4A2	AB7 3010	W145TR30	BPR5ES 7422
FR8D+X	BKR5E-11 6953	HR10BX	BPR4FS-11 2527	M4AC	AB7 3010	W175T1	B6HS 4510
FR8DC	BKR5E 7938	HR10BY	BPR4FS-15 2727	M5A	AB7 3010	W175T2	B6ES 7310
FR8DC+	BKR5E 7938	HR6B	BPR6FS 2623	M5AC	AB7 3010	W175T3	B6S 3510
FR8DC0	BKR5E 7938	HR6BC	BPR6FS 2623	M7A	AB6 2910	W175T30	BP6ES 7811
FR8DCX	BKR5E-11 6953	HR6BP	BPR6FS 2623	M7AC	AB7 3010	W175T35	BP6HS 4511
FR8DCX+	BKR5E-11 6953	HR6D	BPR6EFS 3623	M8A	AB6 2910	W175TR1	BR6HS 3922
FR8DE	BKR5EZ 7642	HR6D+	BPR6EFS 3623	M8A0	AB6 2910	W175TR30	BP6GES 7822
FR8DI33X	IFR5N10 7866	HR6DC	BPR6EFS 3623	M8AC	AB6 2910	W175Z1	B6HS 4510
FR8DPP33	PFR5G-11 2647	HR6DC+	BPR6EFS 3623	M95T1	AB6 2910	W200T30	BP6ES 7811
FR8DPP33+	PFR5G-11 2647	HR6DP	BPR6EFS 3623	M95T5	AB6 2910	W200T35	BP6HS 4511
FR8DPX	BKR5E-11 6953	HR6DPP33V	ITR6F13 4477	MA145TR7	APR5FS 3122	W200TR30	BPR6ES 7822
FR8DS	BKR5EVX 2546	HR6DS	BPR6EFS 3623	MA175T1	A6FS 2210	W215T30	BP6ES 7811
FR8DX	BKR5E-11 6953	HR7D+	BPR6EFS 3623	MA175T7	AP6FS 2710	W225T1	B7HS 5110
FR8HDC	BKR5EKB-11 3967	HR7DC	BPR6EFS 3623	MA200T7	AP6FS 2710	W225T2	B7ES 1111
FR8HDC+	BKR5EKB-11 3967	HR7DC+	BPR6EFS 3623	U3AC	CR7HS 7223	W225T3	B7S 3710
FR8HP	ZFR5F-11 2262	HR7KPP33	PTR6F-13 7569	U3CC	C7E 5096	W225T35	BP7HS 5111
FR8KC	BKR5EYA-11 2526	HR7KPP33+	PTR6F-13 7569	UR07CDC	CR9EK 4548	W225TR30	BPR7ES 2023
FR8KC+	BKR5EYA-11 2526	HR7MPP	PTR5A-10 5055	UHR08CC	CR9EH-9 7502	W230T30	BP7ES 2412
FR8KCU	BKR5EYA-11 2526	HR7MPP+	PTR5A-10 5055	UHR09CI30	IMR9C-9H 6777	W240M1	B8HS 5510
FR8KI33V	IFR5E13 6903	HR7MPP+V	PTR5A-10 5055	UR06CDC	CR10EK 2360	W240MZ1	B8HS 5510
FR8KII33X	BPR6EFIX-10 94658	HR8A	BR5FS 4123	UR2AS	CR8E 1275	W240T1	B8HS 5510
FR8KTC	BKUR5ET-10 7553	HR8AC	BR5FS 4123	UR2CC	CR8E 1275	W240T2	B8ES 2411
FR8KTC+	BKUR5ET-10 7553	HR8ACY	BR5FS-15 2224	UR2CDC	CR8EK 3478	W240T3	B7S 3710
FR8KTCR	BKUR5ET 2789	HR8AP	BR5FS 4123	UR3AC	CR7HS 7223	W250P21	BP7ES 2412
FR8LCX	ZFR6F-11 4291	HR8APY	BR5FS-15 2224	UR3AS	CR7HS 7223	W250T1	B8HS 5510
FR8LDC	BKR5EK 7956	HR8AY	BR5FS-15 2224	UR4AS	CR6HS 7023	W250T2	B8ES 2411
FR8LDC4	BKR5EK 7956	HR8B	BPR5FS 2423	UR5	CR7HSA 4549	W255T30	BP7ES 2412
FR8LI332S	IZFR5B 4080	HR8BC	BPR5FS 2423	UR6DC	CPR7EA-9 3901	W260M1	B8HS 5510
FR8ME	LF6B 7113	HR8BCY	BPR5FS-15 3124	USR4AC	CMR6H 3365	W260MZ1	B8HS 5510
FR8SC	LF6B 6677	HR8BP	BPR5FS 2423	USR7AC	CMR6H 3365	W260MZ2	B9ES 2611
FR8SC+	LF6B 6677	HR8BPX	BPR5FS-11 2924	VR5NC	LKAR8A-9 4786	W260S1S	B8HVX 2634
FR8SEO	LF6B 6677	HR8BPY	BPR5FS-15 3124	VR6NE	LZKAR7B 5942	W260S1S	BR8HIX 7001
FR8SPP332	PLFR5A-11 6240	HR8BY	BPR5FS-15 3124	VR7SPP33	PLZKAR6A-11 5118	W260T1	B8HS 5510
FR9HC	ZFR4F-11 4043	HR8D+	BPR5EFS 2223	VR8NII35U	DILKAR6A11 9029	W260T2	B9ES 2611
FR9LCX	ZFR6V-G 8894	HR8DC+	BPR5EFS 2223	VR8SC	LZKAR7A 6799	W260T20	B8ES 2411
H10BC	BPR4FS 1127	HR8MVCV	TR5B-13 4559	VR8SC+	LZKAR7A 6799	W275T1	B8HS 5510
H2CS	B9EFS 1085	HR8MVCV+	TR5B-13 4559	VR8SE	LZKAR7A 6799	W275T2	B9ES 2611
H3CS	B8EFS 1049	HR8MEV	TR5B-13 4559	VR8SEW	LZKAR7A 6799	W280MZ1	B8HS 5510
H5D	BP7EFS 3526	HR8NPP302	PTR5A-10 5055	W06AS	B10HVX 2940	W280MZ2	B9ES 2611
H5DC	BP7EFS 3526	HR9A	BR5FS 4123	W06AS	BR10HIX 6692	W280S1S	BR9HIX 5687
H5DC0	BP7EFS 3526	HR9AC	BR5FS 4123	W06CS	B11EGV 5831	W280S2S	BR9EIX 3981
H5DP	BP7EFS 3526	HR9ACY	BR5FS-15 2224	W07AS	B10HVX 2940	W280T30	BP8ES 2912
H6B	BP6FS 3512	HR9AP	BR5FS 4123	W07AS	BR10HIX 6692	W2A	B9HS 5810
H6BC	BP6FS 3512	HR9APY	BR5FS-15 2224	W07CS	B10EGV 5927	W2AC	B9HS 5810
H6D	BP6EFS 3812	HR9AY	BR5FS-15 2224	W08AS	BR9HIX 5687	W2AP	BR9HIX 5687
H6DC	BP6EFS 3812	HR9B	BPR4FS 1127	W08CS	B10EGV 5927	W2AS	BR9HIX 5687
H6DC0	BP6EFS 3812	HR9BC	BPR4FS 1127	W10A	B4H 4110	W2CS	BR10EIX 6801
H6DP	BP6EFS 3812	HR9BC+	BPR4FS 1127	W10AC	B4H 4110	W2D	BP9ES 7526
H7CC	BR6EF 3177	HR9BCY	BPR4FS-15 2727	W10C	B4ES 4129	W300T1	B9HS 5810
H7CP	BR6EF 3177	HR9BCY+	BPR4FS-15 2727	W10CC	B4ES 4129	W300T30	BP9ES 7526
H7D	BP6EFS 3812	HR9BP	BPR4FS 1127	W10DC	BPR4ES 7222	W310S1S	BR9HIX 5687
H7DC	BP6EFS 3812	HR9BPX	BPR4FS-11 2527	W10E	B4 3210	W310S2S	BR10EIX 6801
H7DC0	BP6EFS 3812	HR9BPY	BPR4FS-15 2727	W10F	BP4 2911	W3A	B8HS 5510
H7DP	BP6EFS 3812	HR9BY	BPR4FS-15 2727	W10FC	BP4 2911	W3A0	B8HS 5510
H8B	BP5FS 3412	HR9D	BPR5EFS 2223	W11E0	B4LM 3410	W3AC	B8HS 5510
H8BC	BP5FS 3412	HR9DC	BPR5EFS 2223	W125T1	B4H 4110	W3AP	B8HS 5510
H8BP	BP5FS 3412	HR9KI33Y	TR5AI-13 90813	W125T2	B4ES 4129	W3AS	B8HVX 2634
H8DC	BP5EFS 3712	HS5E	BM7F 6421	W125T3	B4 3210	W3AS	BR8HIX 7001
H8DC0	BP5EFS 3712	HS8E	BM6F 6221	W125T30	BP5ES 6511	W3C	B9ES 2611
H8DP	BP5EFS 3712	M10A	AB6 2910	W125T4	B4H 4110	W3CO	B9ES 2611
H9BC	BPR4FS 1127	M10A0	AB6 2910	W125TR2	BR5ES 4722	W3CC	B9ES 2611
H9BCY	BPR4FS-15 2727	M10AC	AB6 2910	W125TR3	BR6S 3522	W3CP	B9ES 2611
H9DC	BP5EFS 3712	M10ACO	AB6 2910	W125TR30	BPR5ES 7422	W3CS	BR9EIX 3981
H9DC0	BP5EFS 3712	M12B	AB6 2910	W12A	B4H 4110	W3D	BP8ES 2912
H9HP	BP5EFS 3712	M145T1	AB6 2910	W12E	B2 3110	W3DP	BP8EVX 2671



BRIGGS & STRATTON	NGK → STOCK No.	BRISK	NGK → STOCK No.	BRISK	NGK → STOCK No.	CHAMPION	NGK → STOCK No.
491055E	BCPR5ES 6130	DR15YC	BKR6E 6962	N17Y	BP4HS 3611	A6GC	DR8EIX 6681
491055S	BCPR5ES 6130	DR15Z	BKR6E 6962	N17YC	BP5HS 4111	A8	D7EA 7912
492167	BR2LM 5798	DR15Z-1	BCPR6ES-11 7121	N19	B5HS 4210	BL4	B7FS 3027
496018E	BCPR5ES 6130	DR17YC	BCPR5ES 6130	N19C	B5HS 4210	BL5	B7FS 3027
496018S	BCPR5ES 6130	F14YC	AP7FS 2127	NR12YC	BPR8HS 3725	BL7Y	BP7FS 3612
6093E	BCPR5ES 6130	F15YC	AP6FS 2710	NR15YC	BPR6HS 7022	BL9Y	BP6FS 3512
6099E	BR2LM 5798	FR14YC	APR6FS 2922	P15	BM7A 6521	BL11Y	BP5FS 3412
696202	BKR5EVX 2546	FR15YC	APR6FS 2922	P15Y	BPM7A 7321	BL13Y	BP5FS 3412
692720	BCPR5ES 6130	G12YC	BP7EFS 3526	P17	BM6A 5921	BN2	B9EFS 1085
691043	BCPR5ES 6130	G14Y	BP7EFS 3526	P17Y	BPM6A 7021	BN6Y	BP7EFS 3526
692051	BCPR5ES 6130	G14YC	BP7EFS 3526	PR15	BMR7A 7321	BN7Y	BP6EFS 3812
692720	BCPR5ES 6130	G15Y	BP6EFS 3812	PR15Y	BPMR7A 4626	BN9Y	BP6EFS 3812
694385	BKR5EVX 2546	G15YC	BP6EFS 3812	PR17	BMR6A 7421	BN12Y	BP5EFS 3712
697451	BR2LM 5798	G17Y	BP5EFS 3712	PR17Y	BPMR6A 6726	BN89Y	BP6EFS 3812
711252	BCPR5ES 6130	G17YC	BP5EFS 3712	P18Y	BPM7A 7321	C10YCC	BCP6ES 4930
7960112S	BR2LM 5798	GR15YC	BPR6EFS 3623	PR18Y	BPMR7A 4626	C11YCC	BCP5ES 7496
797434	BCPR5ES 6130	GR17YC	BPR5EFS 2223	U15	BM7F 6421	C12YCC	BKR5E 7938
799876	BPMR6A 6726	J17	B4LM 3410	U17	BM6F 6221	C281YC	BCP6ES 4930
802592S	BR2LM 1147	J19	B2LM 1147	<b>CARLTON NGK → STOCK No.</b>		C53	R7436-10 4900
992039	BR2LM 5798	JR17	BR4LM 4133	71010	BM7F 6421	C55	R7436-10 4900
992041	BR2LM 5798	JR19	BR2LM 5798	71015	BM6F 6221	C55VC	R6601-10 4017
992300	BR2LM 5798	K17C	B6S 3510	71020	BM7A 6521	C57	R7436-9 4899
992301	BR2LM 5798	K17Y	BP5S 3011	71025	BPM7A 7321	C57C	R7436-9 4899
992302	BR2LM 5798	K19	B4 3210	71030	BM7A 6521	C57VC	R6601-10 4017
992304	BCPR5ES 6130	L08JW	B10EGV 5927	71035	BM7A 7321	C57Y	BKR9EIX 2669
992305	BCPR5ES 6130	L08W	B11EGV 5831	71035	BPM7A 7321	C57YC	BKR9EIX 2669
992306	BCPR5ES 6130	L10JW	B8EGV 5627	71040	BM6A 5921	C59	R7436-9 4899
<b>BRISK NGK → STOCK No.</b>		L12W	BR9EIX 3981	71045	BPM6A 7021	C59C	BCR8ES 5430
77-300	BPM7A 7321	L12Y	BP9ES 7526	71050	B6HS 4510	C59YC	R7435-9 4896
77-301	BR2LM 5798	L12YC	BP9ES 7526	71055	B5HS 4210	C61	R7436-8 4898
77-302	BM6A 5921	L14	B8ES 2411	71060	B4 3210	C61C	R7436-8 4898
77-303	BCPR5ES 6130	L14C	B8ES 2411	71065	B4H 4110	C6BYC	BCP7ET 2078
77-304	BM6F 6221	L14Y	BP6ES 7811	71070	BPMR6A 6726	C6BYC4	BCP7ET 2078
77-305	BR2LM 5798	L14YC	BP7ES 2412	C10S	B4H 4110	C6VPYC	BKR7EIX 2667
77-306	BMR6A 7421	L15	B7ES 1111	C7S	B6HS 4510	C6YCC	BCP7ES 5030
77-307	BPMR7A 4626	L15C	B7ES 1111	C8S	B5HS 4210	C6YCX	BCP7ES 5030
77-308	BM7A 6521	L15W	BR8EIX 5044	C9	B4 3210	C7	AB6 2910
77-309	BPM6A 7021	L15Y	BP6ES 7811	CA5E	BM7A 6521	C7Y	BCP7ES 5030
77-310	BP5ES 6511	L15YC	BP6ES 7811	CA5Y	BPM7A 7321	C7YC	BCP7ES 5030
77-311	BPM7A 7321	L17	B6ES 7310	CA6	BPMR6A 7626	C7YCC	BCP7ES 5030
77-312	BPR6ES 7822	L17C	B6ES 7310	CA7E	BM7A 6521	C7YCX	BCP7ES 5030
77-313	B4LM 3410	L17W	BR7EIX 6664	CA7Y	BPM7A 7321	C9MCC	ZFR5F 5165
77-314	BPR5ES 7422	L17Y	BP5ES 6511	CA8E	BM6A 5921	C9Y	BCP6ES 4930
77-315	BP6ES 7811	L17YC	BP5ES 6511	CA8Y	BPM6A 7021	C9YC	BCP6ES 4930
77-316	BM7F 6421	L19C	B5ES 6410	CA8E	BM7F 6421	C9YCC	BCP6ES 4930
77-317	B6S 3510	LR12YC	BPR8ES 3923	CA8E	BM6F 6221	C9YCX	BCP6ES 4930
77-318	BPM6F 5950	LR12ZC	BPR8ES 3923	<b>CHAMPION NGK → STOCK No.</b>		CJ11	BM6A 5921
77-319	BPMR4A 6028	LR14TXS	BUR6ET 3172	2071	BCPR5ES 6130	CJ14	BM4A 5628
77-320	BP4HS 3611	LR14YC	BPR7ES 2023	3071	BKR5EVX 2546	CJ17LM	B4LM 3410
77-321	B6HS 4510	LR14ZC	BPR7ES 2023	3401	ITR6F13 4477	CJ3	BM7A 6521
77-322	B8ES 2411	LR14ZC-1	BPR7ES-11 7226	4 COM	AB7 3010	CJ4	BM7A 6521
77-323	B8ES 2411	LR15TXS	BP5ET 2287	5 COM	AB7 3010	CJ6	BM7A 6521
77-324	BPMR7A 4626	LR15YC	BPR6ES 7822	7 COM	AB6 2910	CJ6Y	BPM7A 7321
77-325	BPR6HS 7022	LR15Z	BPR6ES 7822	8 COM	AB6 2910	CJ7Y	BPM7A 7321
77-350	BR4LM 4133	LR15Z-1	BPR6ES-11 4824	860	A6FS 2210	CJ8	BM6A 5921
77-351	B6S 3510	LR17YC	BCPR5ES 7422	A10	D7EA 7912	CJ86	BM6A 5921
77-352	BP5HS 4111	N08W	B10HVX 2940	A26	AB6 2910	CJ8Y	BPM6A 7021
77-354	BMR7A 4226	N08W	BR10HIX 6692	A2HC	DPR9EA-9 5329	D10	AB6 2910
B12YC	DPR9EA-9 5329	N12W	BR9HIX 5687	A51R	R2525-10 5281	D14	AB6 2910
B14YC	DPR8EA-9 4929	N12Y	BP8HS 2630	A55C	R2525-10 5281	D16	AB6 2910
B15YC	DPR7EA-9 5129	N12YC	BP8HS 2630	A55R	R2525-10 5281	D16J	AB6 2910
D12YC	BCP7ES 5030	N14	B8HS 5510	A57C	R2525-10 5281	D21	AB6 2910
D14Y	BKR6E 6962	N14C	B9HS 5810	A57G	R2525-10 5281	D23	AB6 2910
D14YC	BCP7ES 5030	N14Y	BP6HS 4511	A57R	R2525-10 5281	D6	AB8 7909
D15Y	BKR6E 6962	N14YC	BP7HS 5111	A59C	DCR9EIX 6650	D9	AB6 2910
D15YC	BCP6ES 4930	N15	B6HS 4510	A59G	DCR9EIX 6650	D9J	AB6 2910
D17Y	BKR5E 7938	N15C	B7HS 5110	A59GC	DCR9EIX 6650	D9JM	AB7 3010
D17YC	BCP5ES 7496	N15W	B8HVX 2634	A5YC	DPR9EA-9 5329	DJ6J	BM7F 6421
DOX15LE	ZFR6T-11G 5960	N15W	BR8HIX 7001	A6	D8EA 2120	DJ6Y	BPM7F 1268
DR12YC	BKR7E 6097	N15Y	BP6HS 4511	A61	D9EA 2420	DJ7J	BM6F 6221
DR14YC	BCPR7ES 3330	N15YC	BP6HS 4511	A61G	DR9EIX 4772	DJ7Y	BPM6F 5950
DR14ZC	ZFR7F-11 2975	N17	B5HS 4210	A65	AB6 2910	DJ8J	BM6F 6221
DR14ZC-1	BCPR7ES-11 1095	N17C	B6HS 4510	A6G	DR8EIX 6681	E82	A7FS 2976
DR15TC	BKUR5ET-10 7553	N17W	BR7HIX 7067			F10	A6FS 2210

CHAMPION	NGK → STOCK No.	CHAMPION	NGK → STOCK No.	CHAMPION	NGK → STOCK No.	CHAMPION	NGK → STOCK No.				
F10C	A6FS	2210	L19V	BUH	2422	N3G	BR8EIX	5044	OE013	BKR5E	7938
F62Y	AP8FS	2227	L20V	BUH	2422	N4	B7ES	1111	OE014	BKR7E	6097
F7Y	AP7FS	2127	L288	B5HS	4210	N4C	B7ES	1111	OE015	BP5ES	6511
F7YC	AP7FS	2127	L2G	BR9HIX	5687	N4G	BR7EIX	6664	OE016	BKR6E	6962
F7YCC	AP7FS	2127	L3G	B8HVX	2634	N4YC	BP9ES	7526	OE017	BCP7ES	5030
F81Y	AP8FS	2227	L3G	BR8HIX	7001	N5	B6ES	7310	OE018	BPR7ES	2023
F82	A8FS	4489	L4G	BR7HIX	7067	N5C	B6ES	7310	OE019	BKR5EK	7956
F83Y	AP8FS	2227	L4J	B7HS	5110	N52R	B11EGP	2191	OE020	BPR6EFS	3623
F9Y	AP6FS	2710	L5	B7HS	5110	N54R	B10EGP	5224	OE021	BCPR6ET	2197
F9YC	AP6FS	2710	L55G	B10HVX	2940	N55G	B105EGV	2171	OE023	BCP6ES	4930
FN507Y	BCP7ES	5030	L55G	BR10HIX	6692	N56R	B105EGP	2077	OE024	BCPR6ES-11	7121
G1	C9E	7499	L61Y	BP8HS	2630	N57G	B105EGV	2171	OE025	BUR6ET	3172
G2	C8E	7471	L64Y	BP7HS	5111	N57R	B10EGP	5224	OE026	BKR6EK	2288
G54V	R0045J-10	7400	L66Y	BP6HS	4511	N59G	B95EGV	2145	OE027	BUR5ET-10	7264
G55	C9E	7499	L6G	BR7HIX	7067	N6	B6ES	7310	OE028	BP5ET-10	5156
G56R	R0373A-10	4940	L7	B6HS	4510	N60	B9ES	2611	OE029	PTR5A-10	5055
G58	C9E	7499	L76V	BUHW	2622	N60R	B8EGP	2046	OE030	BKR6EK	2848
G61	C8E	7471	L77J	B7HS	5110	N62R	B8EGP	2046	OE031	TR5A-10	0005
G63	C8E	7471	L77J4	B7HS-10	2129	N63Y	BP9ES	7526	OE032	BKUR6ET-10	2397
H03	B6S	3510	L77JC	B7HS	5110	N64Y	BP8ES	2912	OE033	BKR6EZ	4619
H10	B6L	3212	L77JC4	B7HS-10	2129	N65Y	BP7ES	2412	OE034	BKR6EZ	4619
H10C	B6L	3212	L77V	BUHW	2622	N66Y	BP6ES	7811	OE035	LF5B	7113
H10J	B6L	3212	L78	B7HS	5110	N6BYC	BP6ET	1263	OE036	BP6EFS	3812
H11	B4L	3112	L78C	B7HS	5110	N6GY	BP8EVX	2671	OE037	B6HS	4510
H12	B4L	3112	L78V	BUHW-2	5626	N6GY	BPR8EIX	6684	OE038	BP6HS	4511
H8	B6L	3212	L7J	B6HS	4510	N6Y	BP8ES	2912	OE039	BCPR6ES-11	7121
H8C	B6L	3212	L81	B7HS	5110	N6YC	BP8ES	2912	OE040	B9ES	2611
H8J	B6L	3212	L81Y	BP7HS	5111	N6YCC	BP8ES	2912	OE041	FR5-1	7252
J11	B4	3210	L82	B6HS	4510	N7	B7ES	1111	OE042	BPR5ES	7422
J11C	B4	3210	L82C	B6HS	4510	N79Y	BP6ES	7811	OE043	BCPR7ES	3330
J11J	B4	3210	L82Y	BP6HS	4511	N7BMC	BP6ET	1263	OE044	BP6ET	1263
J11Y	BP5S	3011	L82YC	BP6HS	4511	N7BYC	BP6ET	1263	OE045	BPR5ES	7422
J12J	B2	3110	L82YCC	BP6HS	4511	N7GY	BPR7EIX	4055	OE046	BP7ES	2412
J12Y	BP5S	3011	L85	B6HS	4510	N7Y	BP7ES	2412	OE047	BPR6ES-11	4824
J12YC	BP5S	3011	L85Y	BP6HS	4511	N7YC	BP7ES	2412	OE048	BPR6ES-11	4824
J13Y	BP5S	3011	L86	B6HS	4510	N7YCC	BP7ES	2412	OE049	BPR5ES-11	4424
J14J	B2	3110	L86C	B6HS	4510	N7YCX	BP7ES	2412	OE050	BP7EFS	3526
J14Y	BP5S	3011	L86CC	B6HS	4510	N8	B6ES	7310	OE051	BPR5ES	7422
J14YC	BP5S	3011	L87C	B6HS	4510	N80	B10EG	3630	OE052	DCPR8E-N	5692
J17LM	B4LM	3410	L87Y	BP6HS	4511	N80G	B11EGV	5831	OE053	APR6FS	2922
J18Y	BP4	2911	L87YC	BP6HS	4511	N82	B10EG	3630	OE054	APR6FS	2922
J18YC	BP4	2911	L87YCC	BP6HS	4511	N82G	B105EGV	2171	OE055	BP5ES	6511
J19LM	B2LM	1147	L88A	B6HS	4510	N84	B9EG	3530	OE056	BKR7E-11	1283
J4	B7S	3710	L89CM	BP5HS	4111	N84G	B95EGV	2145	OE057	BCP5ES	7496
J4C	B7S	3710	L90	B5HS	4210	N86	B9EG	3530	OE058	BCP7ES	5030
J4J	B7S	3710	L90C	B5HS	4210	N86G	B9EGV	5827	OE059	BP5HS	4111
J5	B7S	3710	L92Y	BP5HS	4111	N87	B8EG	3430	OE060	ZGR5B	7345
J6	B6S	3510	L92YC	BP5HS	4111	N87G	B8EGV	5627	OE061	AP7FS	2127
J6C	B6S	3510	L95Y	BP4HS	3611	N8B	B6ES	7310	OE062	BKR6E-11	2756
J6J	B6S	3510	L9J	B6HS	4510	N8GY	BPR6EIX	6637	OE063	BKR6E-11	2756
J7	B6S	3510	N10PY	BPR6EIX	6637	N8L	ZGR5C	6334	OE064	BPR6HS	7022
J7J	B6S	3510	N10Y	BP6ES	7811	N8Y	BP6ES	7811	OE065	BP5ES	6511
J8	B6S	3510	N11Y	BP5ES	6511	N9BMC	BPR5EIKU	5685	OE067	BP7EFS	3526
J8C	B6S	3510	N11YC	BP5ES	6511	N9BYC	BP6ET	1263	OE068	B8ES	2411
J8J	B6S	3510	N11YCC	BP5ES	6511	N9BYC4	BP5ET-10	5156	OE069	BCP6ES	4930
K11	AB6	2910	N12Y	BP5ES	6511	N9Y	BP6ES	7811	OE070	BP6HS	4511
K13	AB6	2910	N12YC	BP5ES	6511	N9YC	BP6ES	7811	OE071	BPR6HS	7022
K15J	AB6	2910	N12YCC	BP5ES	6511	N9YCC	BP6ES	7811	OE072	BP5EFS	3712
K3G	AB8	7909	N13L	ZGR5C	6334	N9YCX	BP6ES	7811	OE073	DCPR9E	2641
K5G	AB8	7909	N13Y	BP5ES	6511	NA10	B8ES	2411	OE074	B6ES	7310
K7	AB8	7909	N14LY	ZGR5C	6334	NA8	B6ES	7310	OE075	BCP7ES	5030
K8	AB8	7909	N14Y	BP5ES	6511	OBL9Y	BPR6FS	2623	OE076	BCP7ET	2078
K8G	AB8	7909	N19V	BUE	2322	OE001	BP6ES	7811	OE077	BCPR6ET	2197
K9	AB7	3010	N1C	BR10ES	4832	OE002	BKR6E	6962	OE078	BR8EIX	5044
KC10PYPB4	PFR5G-11	2647	N2	B9ES	2611	OE003	BCP6ES	4930	OE079	B7ES	1111
KC8WYP4	IFR6D10	5344	N21	B4ES	4129	OE004	BPR6ES	7822	OE080	BKR7E-11	1283
KC8ZMCC	ZFR5P-G	6893	N279YC	BP7ES	2412	OE005	BKR6E	6962	OE081	BKR6E-11	2756
KC8ZPYPB4	PZFR5N-11T	7742	N281YC	BP6ES	7811	OE006	BPR6ES	7822	OE082	BP7EFS	3526
L10	B6HS	4510	N288	B5ES	6410	OE007	BP6HS	4511	OE084	BP8ES	2912
L10S	B6HS	4510	N2C	B9ES	2611	OE008	BPR7ES	2023	OE085	BKR5EIKU	3964
L11S	B7HS	5110	N2C	B9ES	2611	OE009	BP6EFS	3812	OE086	BR6HS	3922
L12Y	BP5HS	4111	N2G	BR9EIX	3981	OE010	BP7ES	2412	OE087	BP8ES	2912
L14	B4H	4110	N3	B8ES	2411	OE011	BPR6EFS	3623	OE088	BCPR6ES	2330
L15Y	BP4HS	3611	N3C	B8ES	2411	OE012	BP6ET	1263	OE089	ZFR6F-11	4291

CHAMPION	NGK → STOCK No.	CHAMPION	NGK → STOCK No.	CHAMPION	NGK → STOCK No.	CHAMPION	NGK → STOCK No.
OE090	BP7EFS 3526	ON11Y	BPR5ES 7422	RBL13Y6	BPR5FS-15 3124	RC8WMP2	IZFR6B 3116
OE091	BR9ES 5722	ON12Y	BPR5ES 7422	RBL15Y	BPR4FS 1127	RC8WMP4	IFR6T11 4589
OE092	CR9E 6263	ON3	BR8ES 5422	RBL15Y4	BPR4FS-11 2527	RC8WYP4	IFR6J11 7658
OE093	BKR6ES 3783	P10Y	D6HA 6512	RBL15Y6	BPR4FS-15 2727	RC8YC	BKR6E 6962
OE094	BCPR7ES 3330	P7	D8HA 7112	RBL16Y	BPR4FS 1127	RC8YC4	BKR6E-11 2756
OE095	BP6ET 1263	P8Y	D6HA 6512	RBL17Y	BPR4FS 1127	RC8YCC	BKR6E 6962
OE096	B6HS 4510	PG2PHP	PMR8A 5851	RBL17Y6	BPR4FS-15 2727	RC8YCC4	BKR6E-11 2756
OE098	BR7ES 5122	PG4PHP	PMR7A 4259	RBL8	BR6FS 4323	RC8YCL	BKR6EZ 4619
OE099	BP5EFS 3712	P-G7C	C7E 5096	RBL9Y	BPR6FS 2623	RC9BMC	BKR5EKU 3964
OE100	BPR5EKU 5685	P-RG7C	CR7E 4578	RBN12Y	BPR5EFS 2223	RC9MC4	ZFR5F-11 2262
OE101	BPR5ES-11 4424	P-RZ9HC	CR7HSA 4549	RBN13Y	BPR5EFS 2223	RC9MCC4	ZFR6F-11 4291
OE104	BP6HS 4511	PZ7HC	CR7HSA 4549	RBN14Y	BPR5EFS 2223	RC9Y	BKR6E 6962
OE106	BP5ES 6511	Q504V	R2349-10 6839	RBN9Y	BPR6EFS 3623	RC9YC	BKR6E 6962
OE107	BPR7ES-11 7226	QC12PEP	PZFR6H 7696	RC10DMC	BKR5EK 7956	RC9YC4	BCPR6ES-11 7121
OE108	BR8ES 5422	QC12YC	BKR5E 7938	RC10ECC	ZFR6F-11 4291	RC9YC5	BCPR6ES-11 7121
OE109	BP6ES 7811	QC501V	R7434-10 4894	RC10MCC	ZFR6V-G 8894	RC9YCC	BKR6E 6962
OE110	BCPR7ES 3330	QC59C	BCR8ES 5430	RC10MCC6	ZFR6V-G 8894	RC9YCC4	BCPR6ES-11 7121
OE111	BPR6ES 7822	QC9MC4	ZFR6F-11 4291	RC10MCCR6	ZFR6V-G 8894	RCJ4	BMR7A 4226
OE112	DR8EIX 6681	QCJ8Y	BPMR6A 6726	RC10PYC	BKR6EIX 6418	RCJ501H	BPMR4A 6028
OE113	BPR6ES-11 4824	QJ19LM	BR2LM 5798	RC10PYP4	PFR5J-11 4642	RCJ6	BMR7A 4226
OE115	FR5-1 7252	QL16V	BUZ8H 7447	RC10PYPB4	PFR5G-11 2647	RCJ6Y	BPMR7A 4626
OE116	BPR8ES 3923	QL76V	BUZHW 2147	RC10VTYC4	BKUR5ET-10 7553	RCJ6YC	BPMR7A 4626
OE117	BPR7ES-11 7226	QL77CC	BZ7HS-10 3579	RC10WMP2	IZFR5B 4080	RCJ7Y	BPMR7A 4626
OE118	BCPR6ET 2197	QL77J4	BZ7HS-10 3579	RC10WYP4	IFR5N10 7866	RCJ7YC	BPMR7A 4626
OE119	BKR6E 6962	QL77JC4	BZ7HS-10 3579	RC10YC	BCPR6ES 2330	RCJ8	BMR6A 7421
OE121	BKR5E 7938	QL78C	BZ7HS-10 3579	RC10YC4	BKR6E-11 2756	RCJ8Y	BPMR6A 6726
OE122	PMR8A 5851	QL78V	BUZHW-2 2173	RC10YCC	BKR6E 6962	RCJ8YC	BPMR6A 6726
OE125	BR9EIX 3981	QL78YC	BPZ7HS-10 1093	RC10YCC4	BKR6E-11 2756	RD14	AB6 2910
OE126	PFR7B 4853	QL78YC6	BPZ7HS-10 1093	RC10YCL	BKR5EZ 7642	RD16	AB6 2910
OE127	BKR6E 6962	QL7J5	BR6HS 3922	RC11PYPB4	PFR6N-11 3546	RD16J	AB6 2910
OE128	ZFR5F-11 2262	QL81Y	BPZ7HS-10 1093	RC11ZYC4	ZFR5E-11 4435	RD9	AB6 2910
OE129	BKR7EIX 2667	QL82C	BR6HS 3922	RC12ECC	FR5-1 7252	RDJ7J	BMR6F 2144
OE130	LZKAR7A 6799	QL82YC	BPR6HS 7022	RC12LC	ZFR5F 5165	RDJ7Y	BPMR6F 1270
OE131	PTR5D-10 3784	QL86	BR6HS 3922	RC12LC4	ZFR5F-11 2262	RDJ8J	BMR6F 2144
OE134	BKR6EP-13 2550	QL86C	BR6HS 3922	RC12LYC	FR5-1 7252	RE14MCC4	LZTR4A-11 5444
OE135	LFR4AP-11 5613	QL87YC	BPR6HS 7022	RC12MC4	ZFR5F-11 2262	RE14MCC5	LZTR4A-11 5444
OE136	PFR6J-11 2743	QN2	BR9ES 5722	RC12MC5	ZFR5F-11 2262	RE14PLP5	LZTR5AIX-13 2314
OE137	BKR5E-11 6953	QN2C	BR9ES 5722	RC12MCC4	ZFR5F-11 2262	RE7PYC5	PTR5A-10 5055
OE138	PFR6N-11 3546	QN2G	BR9EIX 3981	RC12PYP	BKR6EP-13 2550	RE7YCC	TR5A-10 0005
OE141	BKR6EIX 6418	QN3	BR8ES 5422	RC12YC	BKR5E 7938	REA8MCL	LZKAR7A 6799
OE143	PFR6G-9 4377	QN3C	BR8ES 5422	RC12YC5	BKR5E-11 6953	REA12WMB4	LZKAR6AP-11 6643
OE144	BKR6EIX 6418	QN84	BR9EG 3230	RC12YCC	BKR5E 7938	REC10PYC4	LFR5AP-11 4775
OE145	BKR6EIX 6418	QN86	BR8EG 3130	RC12YCC4	BKR5E-11 6953	REC10WYPB4	ILFR6B 6481
OE146	PFR6N-11 3546	R10	D6EA 7512	RC14YC	BKR5E 7938	REC10YC4	LFR5A-11 6376
OE147	ZFR6F-11 4291	R54G	R217-11 1072	RC61YC	BCR8ES 5430	REC14PLP5	LZTR5AIX-13 2314
OE148	LFR5A-11 6376	R6	D8EA 2120	RC6PYP	PFR7B 4853	REC14PYC	LFR4AP-11 5613
OE150	PMR8A 5851	R6G	DR8EIX 6681	RC6VPYC	BKR7EIX 2667	REC9MCLX	LFR5B 7113
OE151	BPR5EFS 2223	R8	D7EA 7912	RC6YC	BCPR7ES 3330	REC9YCL	LFR5B 7113
OE152	BKR6E-11 2756	RA2HC	DPR9EA-9 5329	RC6YCC	BCPR7ES 3330	RER8MC	LZKR6B-10E 1578
OE154	ZFR5F-11 2262	RA4HC	DCPR8E 4339	RC78PYP	PFR7G-11S 7772	RER8YC	LKR6D-10E 96569
OE155	APR6FS 2922	RA4HCC	DCPR8E 4179	RC7BMC	BCPR6ET 2197	RES9PYP4	PTR5A-10 5055
OE156	ZGR5C 6334	RA4HCX	DCPR8E-N 5692	RC7BYC4	BCPR6ET 2197	RES9YCC4	TR5A-10 0005
OE157	BCR8ES 5430	RA59GC	DCR9EIX 6650	RC7GYC	BKR7EIX 2667	RF11Y	APR6FS 2922
OE162	BR6ES 4922	RA6	DR8ES-L 2923	RC7PYCB	BKR6EIX 6418	RF11YC	APR6FS 2922
OE163	LZTR4A-11 5444	RA6HC	DCPR8E 4339	RC7PYCB4	PFR6B-11 4014	RF14Y	APR5FS 3122
OE167	LZTR5AIX-13 2314	RA6Y	DPR8EA-9 4929	RC7Y	BCPR7ES 3330	RF14YC	APR5FS 3122
OE171	BPR6FS 2623	RA6YC	DPR8EA-9 4929	RC7YC	BCPR7ES 3330	RF7YC	APR6FS 2922
OE175	LFR5AP-11 4775	RA7YC	DCPR8E 4339	RC7YC4	BKR7E-11 1283	RF7YCC	APR6FS 2922
OE176	PZFR5D-11 7968	RA8HC	DCPR7E 3932	RC7YCC	BCPR7ES 3330	RF9Y	APR6FS 2922
OE178	LFR5B 7113	RA8Y	DPR7EA-9 5129	RC7YCC4	BKR7E-11 1283	RF9Y5	APR6FS 2922
OE179	IFR6J11 7658	RA8YC	DPR7EA-9 5129	RC87LYC	BKR6E 6962	RF9YC	APR6FS 2922
OE181	IFR6D10 5344	RA8YCX4	DCPR7E-N-11 4983	RC87PYC	BKR6EIX 6418	RFN14LY	ZFR4F-11 4043
OE182	IFR6T11 4589	RAX92C	DR9EA 3437	RC87YCC	BKR6ES 3783	RG2PHP	CR8EIX 4218
OE183	ITR6F13 4477	RAX92DC	JR9C 6193	RC87YCL	BKR6EZ 4619	RG4HC	CR9EB 6955
OE184	IZFR5B 4080	RAX92YC	DPR9EA-9 5329	RC89PYC	BKR6EIX 6418	RG4PHP	PMR8A 5851
OE185	IZFR6B 3116	RAX94C	DR8EA 7162	RC89WYP4	IFR6T11 4589	RG6PP	PMR8A 5851
OE186	DCPR7E-N-10 4983	RAX94YC	DPR8EA-9 4929	RC89YCC	BKR6ES 3783	RG6YC	CPR8E 7411
OE188	IFR6T11 4589	RAX96C	DR7EA 7839	RC8BYC	BKR6EKC 2848	RG6YCA	CPR8E 7411
OE190	ILFR6B 6481	RAX96YC	DPR7EA-9 5129	RC8DMC	BKR6EK 2288	RG6YCH	CPR8E 7411
OE191	IFR6D10 5344	RBL11Y	BPR5FS 2423	RC8PYCB	PFR6G-9 4377	RG92C	CR9E 6263
OE195	IGR7A 6687	RBL11Y6	BPR5FS-15 3124	RC8PYP	PFR6J-11 2743	RG92DC	CR9EK 4548
OE199	DCPR8E 4339	RBL12	BR5FS 4123	RC8PYPB4	PFR6N-11 3546	RG94C	CR8E 1275
OJ12Y	BP5S 3011	RBL12-6	BR5FS-15 2224	RC8PYX	BKR6EIX 6418	RGU92C	CR9EH-9 7502
OJ13Y	BP5S 3011	RBL13Y	BPR5FS 2423	RC8VTYC4	BKUR6ET-10 2397	RGU94C	CR8EH-9 5666

CHAMPION	NGK → STOCK No.
RH10C	B6L 3212
RH18Y	B-4L 3112
RH-18Y	B-4L 3112
RJ11	BR6S 3522
RJ11Y	BP5S 3011
RJ12	BR6S 3522
RJ12C	BR6S 3522
RJ12Y	BP5S 3011
RJ12YC	BP5S 3011
RJ14Y	BP5S 3011
RJ14YC	BP5S 3011
RJ17LM	BR4LM 4133
RJ18Y	BP4 2911
RJ18YC	BP4 2911
RJ19HX	BR2LM 5798
RJ19LM	BR2LM 5798
RJ19LMC	BR2LM 5798
RJ2YLE	BPMR6A 6726
RJ20Y	BP4 2911
RJ6	BR6S 3522
RJ6C	BR6S 3522
RJ6J	BR6S 3522
RJ7	BR6S 3522
RJ8	BR6S 3522
RJ8C	BR6S 3522
RJ8J	BR6S 3522
RL12Y	BPR6HS 7022
RL19	BR5HS 3722
RL4J	BR7HS 4122
RL77J	BR7HS 4122
RL78	BR7HS 4122
RL78C	BR7HS 4122
RL7J	BR6HS 3922
RL82	BR6HS 3922
RL82C	BR6HS 3922
RL82Y	BPR6HS 7022
RL82YC	BPR6HS 7022
RL82YCC	BPR6HS 7022
RL85	BR6HS 3922
RL85C	BR6HS 3922
RL86	BR6HS 3922
RL86C	BR6HS 3922
RL87Y	BPR6HS 7022
RL87YC	BPR6HS 7022
RL90	BR5HS 3722
RL95YC	BPR5HS 6222
RN10GY	BPR6EIX 6637
RN10VTYC	BUR5ET 3377
RN10VTYC4	BUR5ET-10 7264
RN10Y	BPR6ES 7822
RN10YC	BPR6ES 7822
RN10Y4	BPR6ES-11 4824
RN11Y	BPR5ES 7422
RN11YC	BPR5ES 7422
RN11YC4	BPR5ES-11 4424
RN11YCC	BPR5ES 7422
RN11YCC4	BPR5ES-11 4424
RN12Y	BPR5ES 7422
RN12YC	BPR5ES 7422
RN12YC4	BPR5ES-11 4424
RN12YC6	BPR5ES-13 3154
RN12YCC	BPR5ES 7422
RN13L	ZGR5C 6334
RN13LYC	ZGR5C 6334
RN14LY	ZGR5C 6334
RN14MC5	BPR5EY-11 3028
RN14PMP5	BPR5EP-11 3971
RN14Y	BPR5ES 7422
RN14Y6	BPR5ES-13 3154
RN14YC	BPR5ES 7422
RN16Y	BPR4ES 7222
RN1C	BR10ES 4832
RN2	BR9ES 5722
RN2C	BR9ES 5722

CHAMPION	NGK → STOCK No.
RN2G	BR9EIX 3981
RN3	BR8ES 5422
RN3C	BR8ES 5422
RN3G	BR8EIX 5044
RN4	BR7ES 5122
RN4C	BR7ES 5122
RN5	BR6ES 4922
RN57YC	BR10EG 3830
RN57YCC	BR10EG 3830
RN5C	BR6ES 4922
RN6	BR6ES 4922
RN6Y	BPR8ES 3923
RN6YC	BPR8ES 3923
RN7GY	BPR7EIX 4055
RN7Y	BPR7ES 2023
RN7YC	BPR7ES 2023
RN7YC4	BPR7ES-11 7226
RN7YCC	BPR7ES 2023
RN7YCC4	BPR7ES-11 7226
RN8	BR5ES 4722
RN8L	ZGR5C 6334
RN8VTYC4	BUR6ET 3172
RN8WYP	IGR7A 6687
RN9GY	BPR6EIX 6637
RN9LCC	ZGR5B 7345
RN9Y	BPR6ES 7822
RN9YC	BPR6ES 7822
RN9YC4	BPR6ES-11 4824
RN9YCC	BPR6ES 7822
RN9YCC4	BPR6ES-11 4824
RP10HC	DR5HS 4623
RP7	DR8HS 5123
RS12YC	BPR5EFS 2223
RS14YC	BPR5EFS 2223
RS5C	BR7EFS 1094
RS8WYP5	ITR6F13 4477
RS9PYP4	PTR5D-10 3784
RS9YC	BPR6EFS 3623
RS9YCC	BPR6EFS 3623
RV12C	BR5FS 4123
RV12C6	BR5FS-15 2224
RV12YC	BPR5FS 2423
RV12YC6	BPR5FS-15 3124
RV15YC	BPR4FS 1127
RV15YC4	BPR4FS-11 2527
RV15YC6	BPR4FS-15 2727
RV17YC	BPR4FS 1127
RV17YC6	BPR4FS-15 2727
RV19YC	BPR4FS 1127
RV8C	BR6FS 4323
RV9YC	BPR6FS 2623
RZ7C	CMR7H 3066
RZ94C	CR8HS 7423
RZ98C	CR6HS 7023
RZN12Y	BPR5EFS 2223
RZN12Y5	BPR5EFS 2223
S10YCC	BP5EFS 3712
S12YC	BP5EFS 3712
S279YC	BP6EFS 3812
S281YC	BP6EFS 3812
S379YC	BP7EFS 3526
S6YC	BP7EFS 3526
S6YCC	BP7EFS 3526
S7YC	BP7EFS 3526
S7YCC	BP7EFS 3526
S9YC	BP6EFS 3812
S9YCC	BP6EFS 3812
UD16	AB6 2910
UF-11Y	APR5FS 3122
UF-14Y	APR5FS 3122
UF-9Y	APR6FS 2922
UJ12	B2 3110
UJ18Y	BP4 2911
UJ2J	B8S 3810

CHAMPION	NGK → STOCK No.
UJ4J	B7S 3710
UJ6	B6S 3510
UJ8	B6S 3510
UJ81C	B7S 3710
UJ81J	B7S 3710
UK10	AB6 2910
UL17V	BUHXW-1 5526
UL18V	BUHX 2522
UL4J	B7HS 5110
UL77V	BUHXW-1 5526
UL81C	B7HS 5110
UL81J	B7HS 5110
UN12Y	BP5ES 6511
UN19V	BUE 2322
UN79Y	BP6ES 7811
V12YC	BP5FS 3412
V4C	B7FS 3027
V59C	R5673-9 3856
V9YC	BP6FS 3512
XJ4J	B7S 3710
XJ-8	BR6S 3522
XL-10	BR6HS 3922
XN-8	BR6ES 4922
Y82	CM-6 5812
Z10	C6HSA 3228
Z12	C6HSA 3228
Z6	C8HSA 6821
CHINESE BRANDS NGK → STOCK No.	
A5RC	CR5HS 2874
A5RTC	CR5HS 2874
A6C	C6HSA 3228
A6RTC	CR6HSA 2983
A6RC	CR6HSA 2983
A6TC	C6HSA 3228
A7C	C7HSA 4629
A7RC	CR7HSA 4549
A7RTC	CR7HSA 4549
A7TC	C7HSA 4629
A8C	C8HSA 6821
A8RC	CR8HSA 2086
A8RTC	CR8HSA 2086
A8TC	C8HSA 6821
B7	C7E 5096
B7R	CR7E 4578
B7RD	CR7EK 7546
B8	C8E 7471
B9	C9E 7499
B9R	CR9E 6263
B9RD	CR9EK 4548
BM6A	BM6A 5921
CMR7H	CMR7H 3066
D7C	D7EA 7912
D7RC	DR7EA 7839
D8C	D8EA 2120
D8RC	DR8EA 7162
D8RTC	DR8EA 7162
D8TC	D8EA 2120
D9C	D9EA 2420
D9RC	DR9EA 3437
DK6RTC	DCPR6E 3481
DK7RTC	DCPR7E 3932
DK8RTC	DCPR8E 4339
E5C	B5HS 4210
E5RC	BR5HS 3722
E5RTC	BPR5HS 6222
E5T	BP5HS 4111
E5TC	BP5HS 4111
E6C	B6HS 4510
E6RC	BR6HS 3922
E6RTC	BPR6HS 7022
E6T	BP6HS 4511
E6TC	BP6HS 4511
E7C	B7HS 5110

CHINESE BRANDS NGK → STOCK No.	
E7RC	BR7HS 4122
E7RTC	BPR7HS 6422
E7TC	BP7HS 5111
E8C	B8HS 5510
E8RC	BR8HS 4322
E8RTC	BPR8HS 3725
E8TC	BP8HS 2630
F5TC	BP5ES 6511
F6C	B6ES 7310
F6RC	BR6ES 4922
F6RJY	BUR6ET 3172
F6RTC	BPR6ES 7822
F6TC	BP6ES 7811
F6TJC	BP6ET 1263
F7C	B7ES 1111
F7RC	BR7ES 5122
F7RTC	BPR7ES 2023
F7T	BP7ES 2412
F7TC	BP7ES 2412
F8C	B8ES 2411
F8RC	BR8ES 5422
GL4	B4LM 3410
K5RF	BKR5E 7938
K5RF-11	BKR5E-11 6953
K5RTC	BKR5E 7938
K5RTC-11	BKR5E-11 6953
K6RF	BKR6E 6962
K6RF-11	BKR6E-11 2756
K6RTC	BKR6E 6962
K6RTC-11	BKR6E-11 2756
L4C	BM4A 5628
L4RTC	BPMR4A 6028
L6C	BM6A 5921
L6RTC	BPMR6A 6726
L6TC	BPM6A 7021
L7C	BM7A 6521
L7RTC	BPMR7A 4626
L7TC	BPM7A 7321
L8RTC	BPMR8Y 2218
LR4C	BMR4A 5728
LR6C	BMR6A 7421
LR7C	BMR7A 4226
T1137C	C7HSA 4629
T4197JC	BP7ES 2412

CHRYSLER GROUP NGK → STOCK No.	
04606402AB	LZTR4A-11 5444
04606591AB	ZFR5LP-13G 7781
SPZFR5LP13G	ZFR5LP-13G 7781
SPO00ZFR5N	ZFR5N 7917
SPLZTR5A13	LZTR5AIX-13 2314

CITROEN NGK → STOCK No.	
5960.57	LF6B 6677
5960.F0	BKR6EZ 4619
5960.G1	LZKAR7A 6799
5960.G4	PLZKBR7A-G 5843
5960.H9	PLZKBR7A-G 5843
5960.L0	PLZKBR7A-G 5843
5960.L5	ILZKBR7A-8G 5992
59622A	BPR6ES 7822
59622T	BKR6EK 2848
59622X	BKR6E 6962
59625G	BKR6EZ 4619
59627S	BKR6EZ 4619
5962IA	BP5ET 2287
5962IK	BKR6EK 2288
5962IL	BKR5EK 7956
5962OE	BKR6EK 2288
5962S7	BP5ES 6511
5962TO	BKR6E 6962
5962W1	BCPR5ES 6130
5962X8	BCP6ES 4930
5962Z1	BKR6EK 2288





DENSO	NGK → STOCK No.	DENSO	NGK → STOCK No.	DENSO	NGK → STOCK No.	DENSO	NGK → STOCK No.				
5012	AP6FS	2710	5615	IFR6L11	3678	6068	BR8ES	5422	IW01-31	R7376-10	4457
5013	APR6FS	2922	5616	IFR8H11	5068	6069	BR9ES	5722	IW06-27	R7376-9	7763
5018	FR5-1	7252	5618	ILFR6J-11K	4458	6070	CR4HSB	4695	IW06-31	R7376-10	4457
5020	BPR4FS	1127	5619	ILFR7H	5245	6071	BR2LM	5798	IW20	BPR6EIX-11	3903
5021	BPR4FS-15	2727	5623	HB6AIX-11P	5703	6073	B8HS-10	5126	IW22	BPR7EIX	4055
5022	BPR5EFS	2223	5625	HB6BIX-11P	5705	6076	LFR5A-11	6376	IW24	BR8EIX	5044
5024	BP5FS	3412	5628	IFR5L11	6502	6079	CM-6	5812	IW27	BR9EIX	3981
5025	BPR5FS	2423	5630	IFR9H11	6588	90919-01217	IFR5T11	4996	IW31	BR10EIX	6801
5026	BPR5FS-11	2924	5631	IMR9B-9H	4888	90919-01218	IFR5T11	4996	IWF20	BPR6HIX	4085
5027	BPR5FS-15	3124	5633	IZFR6F11	4095	90919-01240	IFR5T11	4996	IWF22	BR7HIX	7067
5029	BR5FS	4123	5642	IMR9C-9HES	5766	9807B-5615P	ZFR6K-11	6711	IWF24	BR8HIX	7001
5030	BR5FS-15	2224	5701	R7434-8	4892	9807B-5615W	IZFR6K11	6994	IWM-01-32	R6179A-105P	2697
5031	BP6EFS	3812	5702	R7434-9	4658	FK20HBR-11	DFH6B-11A	6858	IWM31	BR10ECMIX	3006
5032	BPR6EFS	3623	5703	R7434-10	4894	FXE20HR11	PLZKAR6A-11	5118	IX22B	DPR7EIX-9	7803
5034	BP6FS	3512	5704	R7434-8	4892	FXE22HR11	DF7H-11B	1317	IX24	DR8EIX	6681
5035	BPR6FS	2623	5705	R7434-9	4658	FXE24HR11	DF8H-11B	1305	IX24B	DPR8EIX-9	2202
5038	BR6FS	4323	5706	R7434-10	4894	IA01-32	R7282A-105	4614	IX27	DR9EIX	4772
5040	BP7EFS	3526	5707	R7436-8	4898	IA01-34	R7282A-11	4754	IX27B	DPR9EIX-9	5545
5062	BKUR7ET	7873	5708	R7436-9	4899	IAE01-32	R7282-105	4985	IXU22	DCPR7EIX	6046
5065	BP6ET	1263	5709	R7436-10	4900	IAE01-34	R7282-11	2001	IXU24	DCPR8EIX	6546
5067	BUR6ET	3172	5710	R7436-8	4898	IK01-24	R7434-8	4892	IXU27	DCPR9EIX	2316
5068	PTR5A-10	5055	5711	R7436-9	4899	IK01-27	R7434-9	4658	K14P-U11	BKR5E-11	6953
5069	BCP7ET	2078	5712	R7436-10	4900	IK01-31	R7434-10	4894	K16GPR-U11	ZFR5E-11	4435
5070	PTR5D-10	3784	5714	R7376-9	7763	IK02-24	R7434-8	4892	K16HPR-U11	LFR5A-11	6376
5086	TR5A-10	0005	5716	R7376-10	4457	IK02-27	R7434-9	4658	K16PRP11	BKR5EVX	2546
5087	ITR6F13	4477	5724	R7282A-105	4614	IK02-31	R7434-10	4894	K16PR-U	BKR5E	7938
5093	PTR5A-10	5055	5725	R7282A-11	4754	IK16	BKR5EIX-11	5464	K16PR-U11	BKR5E-11	6953
5301	BCPR5EIX-11	3306	5728	R6179A-105P	2697	IK16G	BKR5EIX-11	5464	K16R-U	BKR5EYA	2087
5302	BCPR6EIX-11	4919	5735	R0373A-9	3388	IK16L	ZFR5FIX-11	2477	K16R-U11	BKR5EYA-11	2526
5303	BKR5EIX-11	5464	5736	R0373A-10	4940	IK20	BKR6EIX-11	3764	K16TNR-S9	BKR5EKC	5216
5304	BKR6EIX-11	3764	5737	R0373A-11	5566	IK20G	BKR6EIX-11	3764	K16TR-11	BKR5EKB-11	3967
5306	BPR6EIX-11	3903	5747	R7282-105	4985	IK20L	ZFR6FIX-11	6441	K20BR-S10	BKUR6ETB-10	5742
5307	BPR7EIX	4055	5748	R7282-11	2001	IK22	BKR7EIX	2667	K20HR-U11	LFR6C-11	5788
5308	DCPR7EIX	6046	5749	R7438-8	4905	IK22G	BKR7EIX	2667	K20PR-L11	BKR6E-N-11	5724
5309	DCPR8EIX	6546	5750	R7438-9	4656	IK24	BKR8EIX	2668	K20PR-U	BKR6E	6962
5310	BKR7EIX	2667	5752	R7440B-10T	5009	IK27	BKR9EIX	2669	K20PR-U11	BKR6E-11	2756
5311	BKR8EIX	2668	5753	R7440B-11T	5495	IK27C11	FR9B1-11	4709	K20PSR-B8	IFR6S	99404
5312	BKR9EIX	2669	5754	R7440A-9L	3795	IK31	R7434-10	4894	K20P-U	BK6E	3536
5316	BR8EIX	5044	5755	R7440A-10L	4282	IKH01-24	R7438-8	4905	K20R-U	BKR6EYA	2249
5317	BR9EIX	3981	6000	BUHX	2522	IKH01-27	R7438-9	4656	K20R-U11	BKR6EYA-11	4073
5319	BR10EIX	6801	6001	BUHW	2622	IKH22	ILFR7H	5245	K20R-ZU11	BKR6EP-11	2978
5321	R7434-10	4894	6002	BUHW-2	5626	IQ01-24	R7436-8	4898	K20TNR	BKR6EKC	2848
5326	BPR6EFIX-11	94658	6004	B2	3110	IQ01-27	R7436-9	4899	K20TNR-S	BKUR6EK	2213
5336	FR9B1-11	4709	6005	BP2ES	3467	IQ01-31	R7436-10	4900	K20TR-11	BKR6EKB-11	3583
5337	DCPR9EIX	2316	6009	B4ES	4129	IQ02-24	R7436-8	4898	K20TRX	BKR6EKU	6993
5338	LTR5IX-11	4344	6011	BPR4ES	7222	IQ02-27	R7436-9	4899	K20TXR	BKR6EKC	2848
5339	PLTR6A-10G	3587	6013	B4L	3112	IQ02-31	R7436-10	4900	K22PB	BCP7ET	2078
5345	ILFR7H	5245	6015	BM4A	5628	IQ16	BCPR5EIX-11	3306	K22PBR-S	BKUR7ET	7873
5348	BKR7EIX	2667	6018	BPMR4A	6028	IQ20	BCPR6EIX-11	4919	K22PR-U	BKR7E	6097
5349	LZTR5AIX-13	2314	6019	BMR4A	5728	IQ22	BCPR7EIX	5690	K22PR-U11	BKR7E-11	1283
5351	BKR5EIX-11	5464	6021	BP4	2911	IRE01 27	R7420-9	6448	K22PR-ZU	BKR7EIX	2667
5352	BKR6EIX-11	3764	6023	BPM6A	7021	IRE01 31	R7420-10	5501	K22TMR	BKR7EKC-N	2095
5361	CR7EIX	7385	6025	BMR6A	7421	IRE01 34	R7420-11	7756	K22TMR11	BKR7EKC-N	2095
5362	CR8EIX	4218	6028	B9HS-10	3626	IRL01-27	R7440A-9L	3795	K22TNR	BKR7EKC	7354
5363	CR9EIX	3521	6033	B4	3210	IRL01-31	R7440A-10L	4282	K22TNR-S	BKR7EKC	7354
5368	CR8EHIX-9	3797	6034	BM4A	5628	IRT01-31	R7440B-10T	5009	KJ16CR	ZFR5F	5165
5369	CR9EHIX-9	6216	6035	B4LM	3410	IRT01-34	R7440B-11T	5495	KJ16CR-11	ZFR5F-11	2262
5372	DR8EIX	6681	6036	BM6A	5921	IT20	BPR6EFIX-11	94658	KJ16CR-L11	ZFR5J-11	5584
5373	DR9EIX	4772	6039	BM6F	6221	ITL16	LZTR5AIX-13	2314	KJ16CR-U11	ZFR5F-11	2262
5375	DPR7EIX-9	7803	6040	BPM6F	5950	ITV16	LTR5IX-11	4344	KJ20CR-11	ZFR6F-11	4291
5376	DPR8EIX-9	2202	6041	BM7F	6421	IU01-27	R0373A-9	3388	KJ20CR-L11	ZFR6J-11	5585
5377	DPR9EIX-9	5545	6042	BPM7F	1268	IU01-31	R0373A-10	4940	KJ20CR-U11	ZFR6F-11	4291
5378	BPR6HIX	4085	6043	BPMR7A	4626	IU01-34	R0373A-11	5566	KJ20DR-M11	ZFR6K-11	6711
5379	BR7HIX	7067	6044	BPR2ES	2264	IU22	CR7EIX	7385	KJ22CR-L11	ZFR7F-11	2975
5380	BR8HIX	7001	6047	B8HS-10	5126	IU24	CR8EIX	4218	L14-U	AB6	2910
5383	CR7HIX	7544	6048	BM7A	6521	IU27	CR9EIX	3521	M17	AB6	2910
5384	CR8HIX	7669	6049	BPM7A	7321	IU27D	CR9EIA-9	6289	M22	AB7	3010
5388	CR9EHI-9	6419	6050	CR5HSB	6535	IU31	CR10EIX	6482	M24S	AB8	7909
5390	CR9EIA-9	6289	6051	B7HS	5110	IUF22	CR7HIX	7544	MA16PR-U	APR5FS	3122
5393	BR10ECMIX	3006	6052	B7HS-10	2129	IUF24	CR8HIX	7669	MA16PR-U11	APR5FS	3122
5502	BPR6EIX-LPG	2347	6053	BR6HS	3922	IUH24	CR8EHIX-9	3797	MA16PR-U15	APR5FS	3122
5603	IFR5J11	7418	6054	B6HS	4510	IUH27	CR9EHIX-9	6216	MA17P-U	AP6FS	2710
5607	BPR7EIX	4055	6057	B2LM	1147	IUH27D	CR9EHI-9	6419	MA20PR-U	APR6FS	2922
5614	IJR7A9	7901	6060	B8HS	5510	IW01-27	R7376-9	7763	MA20P-U	AP6FS	2710

DENSO	NGK → STOCK No.	DENSO	NGK → STOCK No.	DENSO	NGK → STOCK No.	DENSO	NGK → STOCK No.				
P16PR8	PGR5A	3987	SVK20R-Z8	BKR6EP-8	2215	VK20PR-Z11	IFR6L11	3678	W20EPR-U10	BPR6ES-11	4824
P16R	BPR5EP-11	3971	SXU22PR9	IKR7D	4759	VK20T	BKR6EIX-LPG	3356	W20EPR-U11	BPR6ES-11	4824
P20PR8	PGR6A	4984	T14PR-U	BPR4FS	1127	VK24PR-Z11	IFR8H11	5068	W20EPR-ZU	BPR6EIX	6637
P22PR8	PGR7A	3200	T14PR-U15	BPR4FS-15	2727	VK27PR-Z11	IFR9H11	6588	W20EP-U	BP6ES	7811
PK16PR11	PFR5B-11	2300	T16EPR-U	BPR5EFS	2223	VKA20	HB6AIX-11P	5703	W20EP-ZU	BPR6EIX	6637
PK16PR-L11	PFR5G-11	2647	T16EX-U	BP5EFS	3712	VKB20	HB6BIX-11P	5705	W20ES	B6ES	7310
PK16PR-P11	PFR5J-11	4642	T16PR-U	BPR5FS	2423	VKH20	ILFR6J-11K	4458	W20ES-L	BR6ES	4922
PK16R11	BKR5EP-11	3440	T16PR-U11	BPR5FS-11	2924	VKH20Y	ILFR6B	6481	W20ESR	BR6ES	4922
PK20PR11	PFR6B-11	4014	T16PR-U15	BPR5FS-15	3124	VKH22	ILFR7H	5245	W20ESR-L	BR6ES	4922
PK20PR-L11	PFR6G-11	5555	T16P-U	BP5FS	3412	VKJ20RZ-M11	IZFR6F11	4095	W20ESR-U	BR6ES	4922
PK20PR-P11	PFR6J-11	2743	T16R-U	BR5FS	4123	VNH27Z	IMR9B-9H	4888	W20ES-U	B6ES	7310
PK20PR-P8	PFR6B	3500	T16R-U15	BR5FS-15	2224	VUH24D	IMR8C-9H	3653	W20ETR-L	BPR6EKN	1128
PK20R11	BKR6EP-11	2978	T16VR-U10	TR5A-10	0005	VUH27D	IMR9C-9H	6777	W20EXR-U	BPR6EY	6427
PK20R-13	BKR6EP-13	2550	T20EPR-U	BPR6EFS	3623	VUH27ES	IMR9C-9HES	5766	W20EXR-U11	BPR6EY-11	4228
PK20R8	BKR6EP-8	2215	T20EP-U	BP6EFS	3812	VUH27Z	IMR9A-9H	6966	W20EX-U	BP6EY	7727
PK20TR11	BKR6EKP-11	3452	T20EX-U	BP6EFS	3812	VW20T	BPR6EIX-LPG	2347	W20FP	BP6HS	4511
PK22PR11	PFR7G-11S	7772	T20MP-U	BPM6F	5950	VW22	BPR7EIX	4055	W20FPR	BPR6HS	7022
PK22PR8	PFR7B	4853	T20M-U	BM6F	6221	VX22BC	IJR7A9	7901	W20FPR-U	BPR6HS	7022
PK22PR-L11	PFR7G-11S	7772	T20PR-U	BPR6FS	2623	VX22BZ	IJR7A9	7901	W20FP-U	BP6HS	4511
PK22PR-L11S	PFR7G-11S	7772	T20PR-U15	BPR6FS	2623	W14	B4	3210	W20FP-U10	BP6HS-10	6326
PK22PR-TP	PFR7M	4877	T20P-U	BP6FS	3512	W14E	B4ES	4129	W20FR-L	BPR6HSA	4632
PKJ16CR-L11	PZFR5F-11	4363	T20R-U	BR6FS	4323	W14EPR-U	BPR4ES	7222	W20FS	B6HS	4510
PKJ20CR8	PZFR6F	7550	T22EP-U	BP7EFS	3526	W14ER-U	BR4ES	1097	W20FSR	BR6HS	3922
PKJ20CR-L11	PZFR6F-11	3271	T22MP-U	BPM7F	1268	W14F	B4H	4110	W20FSR-U	BR6HS	3922
PQ16R	BCPR5EP-11	2097	T22M-U	BM7F	6421	W14FP	BP4HS	3611	W20FS-U	B6HS	4510
PQ16R8	BCPR5EP-8	2950	TR20	B6HS	4510	W14FP-L	BP4HS	3611	W20M	BM6A	5921
PQ20R	BCPR6EP-11	3350	TR22	B7HS	5110	W14FPR	BPR4HS	7823	W20MP-U	BPM6A	7021
PQ20R8	BCPR6EP-N-8	5275	TR22-10	B7HS-10	2129	W14FPR-L	BPR4HS	7823	W20MR-U	BMR6A	7421
PQ20R-P11	BCPR6EP-N-11	4497	TR24	B8HS	5510	W14FPR-U	BPR4HS	7823	W20M-U	BM6A	5921
PQ20R-P8	BCPR6EP-N-8	5275	TR24-10	B8HS-10	5126	W14FPR-UL	BPR4HS	7823	W20M-US	BM6A	5921
PT16EPR10	PTR5D-10	3784	U14FSR-UB	CR4HSB	4695	W14FPR-UL10	BPR4HS-10	5024	W20S	B6S	3510
PT16EPR13	PTR5D-10	3784	U16FER-9	CR5EH-9	6689	W14FP-U	BP4HS	3611	W20SR-U	BR6S	3522
PT16EPRL13	PTR5D-10	3784	U16FSR-L	CR5HS	2874	W14FP-UL	BP4HS	3611	W20S-U	B6S	3510
PT16VR10	PTR5A-10	5055	U16FSR-U	CR5HS	2874	W14FR-U	BR4HS	3322	W22EB	BR7ET	4121
PT16VR-13	PTR5A-10	5055	U16FSR-UB	CR5HSB	6535	W14F-U	B4H	4110	W22EBR	BR7ET	4121
PTJ16R15	PZTR5A-15	7862	U16FS-UB	CR5HSB	6535	W14L	B4L	3112	W22EDR	BR7EQ	5128
Q16PR-U	BCPR5E	1145	U20EPR-U	CPR6EA-9	6899	W14LMR-US	BR4LM	4133	W22EP	BP7ES	2412
Q20PR-U	BCPR6E	1269	U20ESR-N	CR6E	6965	W14LM-U	B4LM	3410	W22EP-GU	BPR7EIX	4055
Q20PR-U11	BCPR6E-11	3132	U20FS	C6HSA	3228	W14LM-US	B4LM	3410	W22EPR-U	BPR7ES	2023
Q20P-U	BCP6ES	4930	U20FS-L	C6HSA	3228	W14MPR-U10	BPMR4A	6028	W22EP-U	BP7ES	2412
Q20R-U11	BCPR6EY-11	3720	U20FSR-U	CR6HSA	2983	W14MR-U	BMR4A	5728	W22EP-ZU	BPR7EIX	4055
Q22PR-U	BCPR7ES	3330	U20FS-U	C6HSA	3228	W14M-U	BM4A	5628	W22ES	B7ES	1111
Q22PR-U11	BCPR7ES-11	1095	U20M-U	CM-6	5812	W14M-US	BM4A	5628	W22ES-GU	BR7EIX	6664
Q22P-U	BCP7ES	5030	U22ES-N	C7E	5096	W14P	BP5S	3011	W22ESR	BR7ES	5122
Q27A-Z	R7232-9	5516	U22ESR-N	CR7E	4578	W14PR-U	BP4	2911	W22ESR-U	BR7ES	5122
QJ16AR-U	BCRE527Y	2074	U22FS	C7HSA	4629	W14-U	B4	3210	W22ES-U	B7ES	1111
QJ16HR-U	FR5-1	7252	U22FS-L	C7HSA	4629	W14-US	B4	3210	W22ES-ZU	BR7EIX	6664
QJ16HR-U9	FR5-1	7252	U22FSR-L	CR7HS	7223	W16EP-GU	BPR5EIX-11	6597	W22FP	BP7HS	5111
QJ20CR-11	ZFR6A-11	1041	U22FSR-U	CR7HSA	4549	W16EPR-U	BPR5ES	7422	W22FPR	BPR7HS	6422
RU01-31	R0045Q-10	4216	U22FS-U	C7HSA	4629	W16EPR-U11	BPR5ES-11	4424	W22FPR-U	BPR7HS	6422
RU01-34	R0045Q-11	5957	U24ES-N	C8E	7471	W16EP-U	BP5ES	6511	W22FP-U	BP7HS	5111
S22PR-A7	IGR7A	6687	U24ESR-N	CR8E	1275	W16EP-ZU	BPR5EIX-11	6597	W22FP-U10	BP7HS-10	7829
SC20HR11	ILKAR7B11	4912	U24ESR-NB	CR8EB	7784	W16ES	B5ES	6410	W22FS	B7HS	5110
SF-10	BUHX	2522	U24ESR-NZU	CR8EIX	4218	W16ES-L	BR5ES	4722	W22FS-GU	BR7HIX	7067
SF-50	BUHW	2622	U24ETR	CR8EK	3478	W16ESR-U	BR5ES	4722	W22FSR	BR7HS	4122
SF-51	BUHW-2	5626	U24FER9	CR8EH-9	5666	W16ES-U	B5ES	6410	W22FS-U	B7HS	5110
SK16PR11	IFR5G-11K	3107	U24FS	C8HSA	6821	W16EXR-U	BPR5EY	2828	W22FS-U10	B7HS-10	2129
SK16PR-A11	IFR5E11	7994	U24FS-C	C8HSA	6821	W16EXR-U11	BPR5EY-11	3028	W22FS-ZU	BR7HIX	7067
SK16PR-L11	IFR5G-11K	3107	U24FS-L	C8HSA	6821	W16EX-U	BP5EY	7327	W22M	BM7A	6521
SK16R11	IFR5T11	4996	U24FSR-C	CR8HSA	2086	W16FP	BP5HS	4111	W22MPR-U	BPMR7A	4626
SK16R-P8	IFR5T-8N	3508	U24FSR-U	CR8HS	7423	W16FPR	BPR5HS	6222	W22MP-U	BPM7A	7321
SK20BGR11	HB6AIX-11P	5703	U24FS-U	C8HSA	6821	W16FPR-U	BPR5HS	6222	W22MP-US	BPM7A	7321
SK20PR-A11	IFR6E11	6741	U27ES-N	C9E	7499	W16FP-U	BP5HS	4111	W22M-U	BM7A	6521
SK20PR-L11	IFR6G11K	1314	U27ESR-N	CR9E	6263	W16FS	B5HS	4210	W22M-US	BM7A	6521
SK20PR-L9	IFR6D10	5344	U27ESR-NB	CR9EB	6955	W16FSR	BR5HS	3722	W22S	B7S	3710
SK20R11	IFR6T11	4589	U27ESR-NZU	CR9EIX	3521	W16FS-U	B5HS	4210	W22S-U	B7S	3710
SK20R-P11	IFR6T11	4589	U27ETR	CR9EK	4548	W16LS	B6L	3212	W24EP	BP8ES	2912
SK22PR-M11	IFR7G-11KS	7746	U27FER-9	CR9EH-9	7502	W16P-U	BP5S	3011	W24EP-11	BP8ES	2912
SK22PR-M11S	IFR7G-11KS	7746	U27FER-ZU9	CR9EHIX-9	6216	W16S-U	BMR6A	7421	W24EP-U	BP8ES	2912
SKJ16CR-A8	IZFR6G	5887	U31ESR-N	CR10E	6264	W17ES	B6ES	7310	W24ES	B8ES	2411
SKJ20DR-M11	IZFR6K11	6994	U31ESR-NZU	CR10EIX	6482	W20EPB	BP6ET	1263	W24ES-GU	BR8EIX	5044
SKJ20DR-M11S	IZFR6K-11S	5266	U31ETR	CR10EK	2360	W20EPBRS	BUR6ET	3172	W24ESR	BR8ES	5422
SKJ20DR-M13	IZFR6K13	6774	VK16	IFR5J11	7418	W20EP-GU	BPR6EIX	6637	W24ESR-U	BR8ES	5422
SVK20R-Z11	IFR6J11	7658	VK16PR-Z11	IFR5L11	6502	W20EPR-U	BPR6ES	7822	W24ESR-ZU	BR8EIX	5044



EYQUEM	NGK → STOCK No.	
D900L	D8EA	2120
FC52LS	BCP5ES	7496
FC52LS	BCP5ES	7496
FC58LS	BCP6ES	4930
FC62LS	BCP6ES	4930
FC62LS2	BCP6ES	4930
FC62LS3	BCP6ET	4563
FC62LS3X	BCP6ET	4563
FC72LS	BCP7ES	5030
FC82LS	BCP7ES	5030
FC82LS1	BCP7ES	5030
FC82LS2	BCP7ES	5030
K200M	AB6	2910
K300M	AB6	2910
K500M	AB6	2910
K600M	AP6FS	2710
K750M	AB6	2910
K750M	AB7	3010
KC62JS	AP6FS	2710
R1000	BR8HS	4322
R1000L	BR8ES	5422
R850	BR7HS	4122
RC42S	BPR6HS	7022
RC52LJS	BPR5EFS	2223
RC52LZ3EX	BUR5ET	3377
RC52LZE	ZGR5A	5839
RC58LZ3EX	BUR6ET	3172
RC62HJS6	TR5A-10	0005
RC62HJSP	PTR5A-10	5055
RC62HJSDP	PTR5A-10	5055
RC62LJS	BPR6EFS	3623
RC62LS	BPR6ES	7822
RC62LS5	BPR6ES-11	4824
RC62S	BPR7HS	6422
RC82LS	BPR7ES	2023
RFC42LS	BKR5E	7938
RFC42LS2E	BKR5EK	7956
RFC50LZ2E	BKR5EK	7956
RFC52LS	BCPR5ES	6130
RFC52LS3	BKR6EKUB	3584
RFC52LS5	BKR5E-11	6953
RFC52LZE	ZFR5F	5165
RFC52LZK	BKR5EZ	7642
RFC58LS	BKR6E	6962
RFC58LS2E	BKR6EK	2288
RFC58LS3	BCPR6ET	2197
RFC58LS5	BKR6E-11	2756
RFC58LSP	BKR6EZ	4619
RFC58LZ	BKR6EY	3696
RFC58LZ2	BKR6EKC	2848
RFC58LZ3EX	BKUR6ET	6437
RFC58LZDP	PFR6B	3500
RFC58LZE5	ZFR6F-11	4291
RFC58LZK	BKR6EZ	4619
RFC58LZP	PFR6B	3500
RFC62LS3X	BCPR6ET	2197
RFC62LS5	BCPR6ES-11	7121
RFC62LZ3X	BKUR7ET	7873
RFC82LS	BCPR7ES	3330
RFC82LS3	BCPR7ET	2164
RFC82LS5	BCPR7ES-11	1095
RFN52HZ	LF85B	7113
RFN52LZ	BKR5EZ	7642
RFN58HZ	LF86B	6677
RFN58LZ	BKR6EZ	4619
RWC52HSK	LZKAR7A	6799
T850	C7HSA	4629
XKC62JS	APR6FS	2922
FIAT	NGK → STOCK No.	
46144731	DCPR8E	4179
46229251	BP6ES	7811
46417010	BKR6E	6962
46449690	BKR6EKPA	2513

FIAT	NGK → STOCK No.	
46463801	BKR6EKC	2848
46472021	BKR6EKC	2848
46475164	BCPR7ET	2164
46521529	BKR6EKPA	2513
46521530	PMR7A	4259
46531917	DCPR8EKC	7168
55188857	DCPR7E-N-10	4983
55190788	ZKR7A-10	1691
55198201	DCPR7E-N-10	4983
55210685	IKR9F8	5756
55233997	LKR9CI-8	94786
55233997	ILKR9G8	97168
5894585	BPR7ES	2023
5894586	BKR6E	6962
5894588	BCPR7ES	3330
5896824	BKR6EKC	2848
5984036	BPR6ES	7822
60504563	BP6ES	7811
60512848	BCP6ET	4563
60512929	B7ES	1111
60569957	PFR6B	3500
60597490	BCP7ES	5030
60800325	BPR7ES	2023
60806024	BP6ET	1263
60810689	PFR6B	3500
71711638	BKR6E	6962
71711639	BPR6ES	7822
71711640	BPR6ES	7822
71711806	BPR6ES	7822
71711808	BKR6E	6962
7546519	BKR6E	6962
7554436	BPR7ES	2023
7554442	BP6ES	7811
7554444	BPR6ES	7822
7554445	BP6HS	4511
7565476	BR8ES	5422
7686643	BP6ET	1263
7760381	BPR7ES	2023
7760382	BPR6ES	7822
7760383	BKR6E	6962
7760384	BCPR7ES	3330
7769243	BCPR6ET	2197
7772453	BKR6E	6962
7772515	BPR7ES	2023
7910247204	BPR6EFS	3623
7FYSR	BPR7ES	2023
7FYSSR	BPR7ES	2023
7GBYSR4	BCPR7ET	2164
7GYSSR	BCPR7ES	3330
9614738680	BKR6EKC	2848
9618494580	BKR5EK	7956
9618571880	BKR6EKC	2848
9619624580	BKR5EK	7956
9FYSSR	BPR6ES	7822
9GYSSR	BKR6E	6962
FPT55210685	IKR9F8	5756
FORD	NGK → STOCK No.	
1032705	BKR5EKUP	2890
1077002	PTR5A-10	5055
1088847	TR5A-10	0005
1120170	PZFR5D-11	7968
1120820	APR6FS	2922
1120830	BCPR6ES	6130
1120831	BCPR6ES	6130
1120836	BPR6ES	7822
1202935	PLTR6A-10G	3587
1204572	PTR6F-13	7569
1219309	TR5B-13	4559
1233897	PTR5A-10	5055
1255464	TR5B-13	4559
1307093	PTR6F-13	7569
1315691	ITR6F13	4477
1369704	TR6AP-13	5809

FORD	NGK → STOCK No.	
1493001	TR5B-13	4559
1505812	ILFR6B	6481
1685720	ILZTR6A8G	94769
1M50 12405 CA	PLTR6A-10G	3587
1S7J 12405 DA	PTR6F-13	7569
1S7J 12405 EB	PTR6F-13	7569
2W93 12405 CAB	IFR5N10	7866
3SJA 12405 AB	ITR6F13	4477
5086351	PLTR6A-10G	3587
5100429	ILTR6G8G	96621
5M5G 12405 AA	TR6AP-13	5809
6M8G 12405 BB	ILTR5A-13G	3811
95VW 12405 DA	BKR5EKUP	2890
9A6G 12405 AA	ILTR6G8G	96621
AGFS22FE13J	PTR6F-13	7569
AGPR32PD	BKR5EKUP	2890
AGPS44F13J	PZFR5D-11	7968
AYFS22FE1J	PLTR6A-10G	3587
AYFS32CJ	TR5B-13	4559
AYFS32BB	ILTR5A-13G	3811
BM5G-124505-CA	ILZTR6A8G	94769
CYFS13YRC	ILZTR6A8G	94769
C2A1535	IFR5N10	7866
YM21 12405 AA	PZFR5D-11	7968
YN2F 12405 A2A	TR5B-13	4559
YN2J 12405 AA	TR5B-13	4559
FOMOCO - see FORD		
FUJI	NGK → STOCK No.	
065-01400-10	B4	3210
065-01400-20	B4H	4110
065-01400-31	B6HS	4510
065-01400-41	B7HS	5110
065-01400-50	B7ES	1111
065-01400-60	B6HS	4510
065-01400-80	B4	3210
065-01400-90	B7HS	5110
065-01401-00	B6ES	7310
065-01401-10	B4H	4110
065-01401-30	B7ES	1111
065-01401-40	B8ES	2411
065-01401-50	BR6HS	3922
065-01401-60	B9ES	2611
065-01401-70	BP4HS	3611
065-01401-80	BR7HS	4122
065-01401-90	BP4HS	3611
065-01402-10	BP6HS	4511
065-01402-20	BR10EIX	6801
065-01402-30	BP5ES	6511
065-01402-40	BR8ES	5422
065-01402-50	BR9ES	5722
065-01402-60	BP5HS	4111
065-01402-70	BPR4HS	7823
065-01402-80	BPR5ES	7422
065-01403-00	BP6ES	7811
065-01403-10	BR4HS	3322
065-01403-20	BPR4HS-10	5024
065-01403-30	BPR4ES	7222
065-01403-40	BP2HS	7926
065-01403-60	BP2HS	7926
065-01403-70	BM4A	5628
065-01403-80	BMR4A	5728
065-01403-90	BP4HS	3611
065-01404-20	BPR6HS	7022
065-01404-30	BPM6A	7021
065-01404-60	BM6A	5921
065-01404-70	BMR6A	7421
065-01405-00	B9HS	5810
065-01405-10	BR6HS	3922
932-05410-00	B5ES	6410
982-05486-00	B6ES	7310

GUTBROD	NGK → STOCK No.	
000.80.071	B6HS	4510
000.81.345	B4LM	3410
090.33.668	B4H	4110
090.50.805	BPR6ES	7822
092.05.406	BR2LM	5798
092.05.900	B6S	3510
092.13.609	BR4LM	4133
092.25.081	BP5ES	6511
092.32.278	BCPR5ES	6130
092.38.072	BPR5ES	7422
092.38.467	BM6A	5921
092.40.182	BPR5EFS	2223
HARLEY-DAVIDSON	NGK → STOCK No.	
10R12A	DCPR9E	2641
10R12X	DCPR9E	2641
3	B6L	3212
3-4	BP5S	3011
4	B6L	3212
4-5	BP7HS	5111
4R	B6L	3212
4R5	BPR7HS-10	1092
5	B6S	3510
5A6	BP5ES	6511
5R6	BPR5ES	7422
5R6A	BPR5ES-11	4424
5RL	ZGR5C	6334
6R12	DCPR7E	3932
8	B10EGV	5927
HONDA	NGK → STOCK No.	
12290-PNE-0030	ZFR6K-11	6711
12290-PRB-A01	IFR7G-11KS	7746
12290-RB1-0031	IZFR6K13	6774
12290-RMX-003	ILFR6J-11K	4458
12290-RMX-013	ILFR6J-11K	4458
12290-RSH-003	IFR6G11K	1314
31908-MGC-003	LMAR8A-9S	6817
31909-MEN-A310-M1	SILMAR9A9S	6213
31911-KRN-731	R0409B-8	7791
31911-MBW-E11	IMR8C-9H	3653
31911-MEE-J01	IMR8C-9HES	5990
31912-KRN-731	R0409B-9	7792
31912-MBW-E110	IMR9C-9H	6777
31912-MCW-0030	IMR9B-9H	4888
31912-MEL-003	IMR9C-9HES	5766
31912-MGH-641	IMR8E-9HES	95397
31915-ZOH-003	CMR5H	5799
31916-KRM-841	CPR8EA-9	2306
31916-KWB-601	CCR8EA-9S	1582
31916-MEH-003	SIMR8A9	91064
31916-ZOH-003	CMR6H	3365
31918-MEB-671	IFR8H11	5068
31922-MGH-642	IMR8E-9HES	95397
31988-GEV-761	ER8EH-N	5606
94701-00408	CR9EIA-9	6289
98049-58716	ER8EH	4011
98049-59716	ER9EH	5869
98049-60716	ER10EH	2862
98052-56471	CM-6	5812
98056-17U	IFR6L11	3678
98056-55718	CR5HS	2874
98056-55777	CR5HSB	6535
98056-56713	C6HSA	3228
98056-56716	CR6HS	7023
98056-56718	CR6HSA	2983
98056-57713	C7HSA	4629
98056-57716	CR7HS	7223
98056-57718	CR7HSA	4549
98056-57918	CR7HSA-9	5147
98056-58713	C8HSA	6821
98056-58716	CR8HS	7423
98056-58718	CR8HSA	2086
98059-55916	CR5EH-9	6689

HONDA	NGK → STOCK No.	
98059-55918	CR7HSA	5147
98059-57916	CR7EH-9	3486
98056-57918	CR7HSA-9	5147
98059-58916	CR8EH-9	5666
98059-59916	CR9EH-9	7502
98059-5991U	IMR9A-9H	6966
98059-599U	CR9EHI-9	6419
98061-58616	DPR8Z	4730
98061-59616	DPR9Z	4830
98066-54716	DR4HS	3326
98066-55716	DR5HS	4623
98066-56716	DR6HS	4823
98066-56717	D6HA	6512
98066-58716	DR8HS	5123
98066-58717	D8HA	7112
98069-38716	DR8ES-L	2923
98069-55916	DPR5EA-9	2887
98069-56717	D6EA	7512
98069-56916	DPR6EA-9	5531
98069-57716	DR7ES	3123
98069-57717	D7EA	7912
98069-5771P	DR7EA	7839
98069-57911	DPR7EA-9	5129
98069-57912	DPR7EIX-9	7803
98069-57912	DPR7EIX-9	7803
98069-57916	DPR7EA-9	5129
98069-5791U	IJR7A9	7901
98069-58716	DR8ES	5423
98069-58717	D8EA	2120
98069-58912	DPR8EIX-9	2202
98069-58916	DPR8EA-9	4929
98069-59717	D9EA	2420
98069-59912	DPR9EIX-9	5545
98069-59916	DPR9EA-9	5329
98069-5991F	DPR9EIX-9	5545
98073-52710	B2	3110
98073-54710	B4	3210
98073-54740	BM4A	5628
98073-54744	BMR4A	5728
98073-54776	BPMR4A	6028
98073-54944	BPMR4A-10	6328
98073-56740	BM6A	5921
98073-56741	BPM6A	7021
98073-56744	BMR6A	7421
98073-56944	BPMR6A-10	1029
98076-52711	BP2HS	7926
98076-54710	B4H	4110
98076-54711	BP4HS	3611
98076-54716	BR4HS	3322
98076-54717	BPR4HS	7823
98076-54746	BR4HS	3322
98076-54747	BPR4HS	7823
98076-54914	BPR4HS-10	5024
98076-54944	BPR4HS-10	5024
98076-55711	BP5HS	4111
98076-55716	BR5HS	3722
98076-55717	BPR5HS	6222
98076-55719	BP5HS	4111
98076-55747	BPR5HS	6222
98076-56711	B6HS	4510
98076-56715	BPR6HSA	4632
98076-56716	BR6HS	3922
98076-56717	BPR6HS	7022
98076-56719	BP6HS	4511
98076-5671G	BR6HSA	4296
98076-56741	B6HS	4510
98076-56747	BPR6HS	7022
98076-56917	BPR6HS-10	2623
98076-57710	B7HS	5110
98076-57711	BP7HS	5111
98076-57716	BR7HS	4122
98076-57717	BPR7HS	6422
98076-57740	B7HS	5110
98076-58710	B8HS	5510

HONDA	NGK → STOCK No.	
98076-58711	BP8HS	2630
98076-58716	BR8HS	4322
98076-58717	BPR8HS	3725
98076-5871G	BR8HSA	5539
98076-58740	B8HS	5510
98076-58747	BPR8HS	3725
98076-59710	B9HS	5810
98076-59716	BR9HS	4522
98079-5414G	ZFR4F-11	4043
98079-54817	BPR4ES	7222
98079-54846	BPR4ES	7222
98079-55145	BPR5ES-11	4424
98079-55146	BPR5EY-11	3028
98079-55147	BCPR5ES-11	3524
98079-55148	BCPR5E-11	1273
98079-5514E	BKR5E-11	6953
98079-5514H	PFR5G-11	2647
98079-5514P	ZFR5J-11	5584
98079-5515G	ZFR6F-11	4291
98079-5515U	IFR5L11	6502
98079-5517U	FR6BI-11	4709
98079-5517V	IFR5G-11K	3107
98079-55810	B5ES	6410
98079-55811	BP5ES	6511
98079-55816	BR5ES	4722
98079-55817	BPR5ES	7422
98079-55840	B5ES	6410
98079-55841	BP5ES	6511
98079-55844	BPR5EIX-11	6597
98079-55846	BPR5ES	7422
98079-55847	BR5ES	4722
98079-55941	BP5EY	7327
98079-55946	BPR5EY	2828
98079-56145	BPR6ES-11	4824
98079-56146	BPR6EY-11	4228
98079-56147	BCPR6ES-11	7121
98079-56148	BCPR6E-11	3132
98079-56149	BCPR6EY-11	3720
98079-5614E	BKR6E-11	2756
98079-5614G	ZFR6F-11	4291
98079-5614H	PFR6G-11	5555
98079-5614J	BKR6E-N-11	5724
98079-5614N	PZFR6F-11	3271
98079-5614P	ZFR6J-11	5585
98079-5615G	ZFR6F-11	4291
98079-5615N	PZFR6F-11	3271
98079-5617U	IFR6L11	3678
98079-56810	B6ES	7310
98079-56811	BP6ES	7811
98079-56817	BR6ES	4922
98079-56840	B6ES	7310
98079-56841	BP6ES	7811
98079-56844	BPR6EIX	6637
98079-56846	BPR6ES	7822
98079-56847	BR6ES	4922
98079-56941	BP6EY	7727
98079-56946	BPR6EY	6427
98079-57145	BPR7ES-11	7226
98079-5714E	BKR7E-11	1283
98079-5714G	ZFR7F-11	2975
98079-5714H	PFR7G-11S	7772
98079-5715H	PFR7G-11S	7772
98079-571BV	IFR7G-11KS	7746
98079-57614	BR7EIX	6664
98079-57810	B7ES	1111
98079-57811	BP7ES	2412
98079-57816	BR7ES	5122
98079-57840	B7ES	1111
98079-57841	BP7ES	2412
98079-57846	BPR7ES	2023
98079-57847	BR7ES	5122
98079-57876	BR7ES	5122
98079-57877	BR7ES	5122
98079-57946	BPR7EIX	4055

HONDA	NGK → STOCK No.	
98079-58644	BR8EIX	5044
98079-58646	BR8EIX	5044
98079-58648	B8EG	3430
98079-58649	BR8EG	3130
98079-58678	B8EG	3430
98079-58679	BR8EG	3130
98079-58810	B8ES	2411
98079-58816	BR8ES	5422
98079-58819	BR8ECS	3972
98079-58840	B8ES	2411
98079-58842	B8ECS	2821
98079-58845	BR8ECM	3035
98079-58846	BR8ES	5422
98079-58847	BPR8ES	3923
98079-58870	B8ES	2411
98079-58876	BR8ES	5422
98079-59644	BR9EIX	3981
98079-59646	BR9EIX	3981
98079-59648	B9EG	3530
98079-59649	BR9EG	3230
98079-59678	B9EG	3530
98079-59679	BR9EG	3230
98079-59810	B9ES	2611
98079-59811	B9ES	2611
98079-59816	BR9ES	5722
98079-59819	BR9ECS	3570
98079-59842	B9ECS	7058
98079-59845	BR9ECM	3252
98079-59847	BR9ES	5722
98079-59870	B9ES	2611
98079-59876	BR9ES	5722
98079-60616	BR10EIX	6801
98079-60646	BR10EIX	6801
98079-60648	B10EG	3630
98079-60649	BR10EG	3830
98079-60676	BR10EIX	6801
98079-60678	B10EG	3630
98079-60679	BR10EG	3830
98079-60817	BR10ES	4832
98079-60819	BR10ECS	5880
98079-60845	BR10ECM	4234
9807B-561BV	IZFR6K-11S	5266
9807B-5615W	IZFR6K11	6994
9807B-5617W	IZFR6K11	6994
98179-56841	BP6ES	7811

ISKRA	NGK → STOCK No.	
F100RS	BR8HS	4322
F100S	B8HS	5510
F20	B4H	4110
F50	B5HS	4210
F55PS	BP5HS	4111
F65PRS	BPR6HS	7022
F65PS	BP6HS	4511
F70	B5HS	4210
F75RS	BR6HS	3922
F75S	B6HS	4510
F805RS	BR7HS	4122
F80S	B7HS	5110
F85PS	BP7HS	5111
F95PS	BP7HS	5111
FE100RS	BR9ES	5722
FE100S	B9ES	2611
FE145P	BP9ES	7526
FE155P	BP8EIX	2671
FE155P	BPR8EIX	6684
FE45P	BP5E	4669
FE50	B5ES	6410

ISKRA	NGK → STOCK No.	
FE55LRS	ZGR5A	5839
FE55LTXS	BUR5ET	3377
FE55LXS	ZGR5A	5839
FE55PRS	BPR5ES	7422
FE55PS	BP5ES	6511
FE55PTS	BP5ET	2287
FE65LTXS	BUR6ET	3172
FE65PP2	BPR6EIX	6637
FE65PRP2	BPR6ES	7822
FE65PRS	BPR6ES	7822
FE65PS	BP6ES	7811
FE65PTS	BP6ET	1263
FE75RS	BR7ES	5122
FE75S	B7ES	1111
FE80RS	BR8ES	5422
FE80S	B8ES	2411
FE85PRS	BPR7ES	2023
FE85PS	BP7ES	2412
FET55PRS	BPR5EFS	2223
FET55PS	BP5EFS	3712
FET65PRS	BPR6EFS	3623
FET65PS	BP6EFS	3812
FET75PS	BP7EFS	3526
FS50KR	BR2LM	5798
FS70	B6S	3510
FS70C	BPM6A	7021
FS75	B7S	3710
FS75C	BPM7A	7321
FT65PS	BP6FS	3512
FUT55PRP-13	PTR5A-10	5055
M60	AB6	2910
M75	AB7	3010
M80	AB8	7909
MT65PRS	APR6FS	2922
MT65PS	AP6FS	2710
SFE55LRS	ZFR5F	5165
SFE55LXS	ZFR5F	5165
SFE55PRS	BCPR5ES	6130
SFE55PS	BKR5E	7938
SFE55PS	BCP5ES	7496
SFE65LDRS	BKR5EK	7956
SFE65LRS	ZFR6A-11	1041
SFE65LTXS	BKUR6ET	6437
SFE65LXS	ZFR6A-11	1041
SFE65PDRS	BKR6EKC	2848
SFE65PRS	BKR6E	6962
SFE65PRS	BKR6ES	3783
SFE65PS	BCP6ES	4930
SFE65PTRS	BCPR6ET	2197
SFE65PTS	BCP6ET	4563
SFE85LDRS	BKR6EK	2288
SFE85LTRS	BKUR7ET	7873
SFE85PR5	BKR7E	6097
SFE85PRS	BCPR7ES	3330
SFE85PS	BCP7ES	5030
SFE85PTRS	BCPR7ET	2164
SFE85PTS	BCP7ET	2078
T90	C7HSA	4629
TWE85PRS	DCPR8E	4179
TWE85PS	DCP7E	2363

ISOLATOR	NGK → STOCK No.	
6B	BP6HS	4511
7A	B6HS	4510
7B	BP6HS	4511
7D	BP6ES	7811
A5D	BP7EFS	3526
A7D	BP6EFS	3812
FM14-145/2	BP5ES	6511
FM14-175/2	BP6ES	7811
FM14-200/2	BP6ES	7811
FM14-225/2	BP7ES	2412
M14-145	B5HS	4210
M14-175	B6HS	4510

<b>ISOLATOR</b>	<b>NGK</b>	<b>→ STOCK No.</b>
M14-175/2	B6ES	7310
M14-225	B7HS	5110
M14-240	B8HS	5510
M14-260	B9HS	5810
M14-95	B4H	4110
M18-225	AB7	3010
M18-240	AB7	3010
PM14-225	BP7HS	5111
U7D	BCP6ES	4930
U8D	BCP5ES	7496
ZM14-260	B8HS	5510

<b>ISUZU</b>	<b>NGK</b>	<b>→ STOCK No.</b>
5-81380001-0	BPR5ES	7422
5-81380003-0	BPR5EIX-11	6597
5-81380004-0	BPR6EIX	6637
5-81380012-0	BP5EY	7327
5-81380013-0	BP6EY	7727
8-94120560-0	BPR5ES-11	4424
8-94217232-0	BPR6ES-11	4824
8-94219943-0	BPR6ES	7822
8-94328373-0	BKR7E-11	1283
8-97012928-0	BKR6E	6962
9-82513103-0	BP6ES	7811
9-82513105-0	B6ES	7310
9-82513106-0	BP5ES	6511
9-82513107-0	B5ES	6410
9-82513113-0	B7ES	1111

<b>ITALJET</b>	<b>NGK</b>	<b>→ STOCK No.</b>
94004	BR7HS	4122
94015	DR8EA	7162
94025	BR8HS	4322
94029	BR9ES	5722
94032	CR7E	4578

<b>JAGUAR</b>	<b>NGK</b>	<b>→ STOCK No.</b>
2W93 12405 CAA	IFR5N10	7866
96JV12405 EAA	PFR5G-11E	3000
96JV12405 FAA	BKR5EVXA-13	1188
96JV12405 HAA	PFR5G-13E	2761
96JV12405 HBA	PFR6G-13E	2341
AB3850DA	BR6EF	3177
AJ812146	ILKAR6C10	95843
AJ84575	IFR5N10	7866
C2A1535	IFR5N10	7866
C2P23089	ILKAR7C10	94940
C2S46895	TR6AP-13E	4968
CA 3850 DA2	BKR6EVXA-11	6838
CA 3850 FA1	BKR5EVXA-13	1188
CA 3850 HA2	PFR6G-13E	2341
EAC8344	B8ES	2411
EAC8554	BR7EFS	1094
EBC4021	BR7EF	3346
EBC8523	B7ES	1111
JC2S 46895	TR6AP-13E	4968
NCA 3850 DA2	BKR6EVXA-11	6838
NCA 3850 FA1	BKR5EVXA-13	1188
NCA 3850 HA2	PFR6G-13E	2341
XR819660	TR6AP-13E	4968
XR842795	TR6AP-13E	4968

<b>JAPCAR</b>	<b>NGK</b>	<b>→ STOCK No.</b>
123762	BP5ES	6511
123770	BP6ES	7811
123778	BPR5ES	7422
123789	BPR6ES	7822
123801	BPR7ES	2023
123825	BPR5ES-11	4424
123834	BPR6ES-11	4824
123887	BPR5ES	7422
123899	BPR6ES	7822
123908	BPR7ES	2023
123932	BPR5ES-11	4424

<b>JAPCAR</b>	<b>NGK</b>	<b>→ STOCK No.</b>
123940	BPR6ES-11	4824
123993	BPR7ES-11	7226
123996	BR7ES	5122
124040	BPR7ES-11	7226
124144	BPR6ES-11	4824
166573	BPR6ES	7822
167605	PFR6J-11	2743
170006	BPR6ES-11	4824
172988	BPR5ES	7422
173939	BKR6E-11	2756
177391	BKR6E-11	2756
207417	PFR6J-11	2743
239214	PFR5J-11	4642
277200	BKR5E-11	6953
277201	BKR5E-11	6953
279427	PFR5J-11	4045

**JEEP - see CHRYSLER GROUP**

<b>JENN FENG</b>	<b>NGK</b>	<b>→ STOCK No.</b>
9111-310002	BPMR6F	1270
9295-320001	BMR6F	2144
9295-310002	BPMR6F	1270
9295-310502	CMR7H	3066
9295-331501	BPMR7A	4626

**JG - see CHINESE BRANDS****JIGUANG - see CHINESE BRANDS**

<b>JOHNSON</b>	<b>NGK</b>	<b>→ STOCK No.</b>
204470091	BR7ES	5122
278000237	BR7ES	5122
278000608	BR7ES	5122
278000609	BR8ES	5422
MCBR10EG	BR10EG	3830
MCBR8EG	BR8EG	3130
MCBR8HS	BR8HS	4322
MCBR9EG	BR9EG	3230
MCBR9ES	BR9ES	5722

<b>K &amp; N</b>	<b>NGK</b>	<b>→ STOCK No.</b>
XP422	PFR6G-11	5555

<b>KAWASAKI</b>	<b>NGK</b>	<b>→ STOCK No.</b>
(E)92070-1063	BR9EG	3230
(E)92070-1064	BR8EG	3130
(E)92070-1165	DR7EA	7839
(E)92070-1173	BR10ES	4832
(E)92070-2077	BPR5ES	7422
92070-0010	R6918B-9	2954
92070-0016	BR9ECMVX	2434
92070-1142	C9E	7499
92070-1146	D6EA	7512
92070-1241	R6252K-105	2741
92070-1264	CR9EK	4548
92070-1265	CR8EK	3478
92070-1266	CR9E	6263
92070-2052	BP4HS	3611
92070-2061	BPR4HS	7823
92070-2070	BR4HS	3322
92070-2108	BPMR6A	6726
92070-2110	BPR2ES	2264
92070-3707	PMR9B	4717
92070-7004	BPR4ES	7222
E92070-0001	B7HS	5110
E92070-014	B6ES	7310
E92070-036	B9HS	5810
E92070-037	B8ES	2411
E92070-054	B9ES	2611
E92070-1002	B7ES	1111
E92070-1014	BP8ES	2912
E92070-1019	DR8ES	5423
E92070-1022	BR8ES	5422

<b>KAWASAKI</b>	<b>NGK</b>	<b>→ STOCK No.</b>
E92070-1024	BP6ES	7811
E92070-1025	BPR6ES	7822
E92070-1026	BP7ES	2412
E92070-1027	BPR7ES	2023
E92070-1034	D9EA	2420
E92070-1044	BPR8ES	3923
E92070-1053	BR9ES	5722
E92070-1057	B8EG	3430
E92070-1058	B9EG	3530
E92070-1065	DPR8EA-9	4929
E92070-1068	DPR9EA-9	5329
E92070-1109	BR9ES	5722
E92070-1113	DR7ES	3123
E92070-1114	C6HSA	3228
E92070-1116	DR8ES-L	2923
E92070-1125	DPR7EA-9	5129
E92070-1132	B10EG	3630
E92070-1133	BR10EG	3830
E92070-1138	DPR6EA-9	5531
E92070-1143	CR9E	6263
E92070-1145	CR9EK	4548
E92070-1154	CR7HSA	4549
E92070-1155	CR8HSA	2086
E92070-1158	CR8EK	3478
E92070-1169	CR8E	1275
E92070-1173	BR10ES	4832
E92070-1178	BP5ES	6511
E92070-1186	BR10EIX	6801
E92070-1189	DR9EA	3437
E92070-1199	DR8EA	7162
E92070-1209	CR7E	4578
E92070-1212	BR9EIX	3981
E92070-1250	DPR5EA-9	2887
E92070-1254	CR9EKPA	7785
E92070-2072	BMR4A	5728
E92070-2100	BMR2A	7677

<b>KIA</b>	<b>NGK</b>	<b>→ STOCK No.</b>
18843-10062	LKR6D-10E	96569
18854-10080	LZKR6B-10E	1578
18855-10060	LZKR6B-10E	1578
OK55818110	PFR6N-11	3546

<b>KLK</b>	<b>NGK</b>	<b>→ STOCK No.</b>
F100	B8HS	5510
F20	B4H	4110
F220	B9HS	5810
F50	B5HS	4210
F55P	BP5HS	4111
F65P	BP6HS	4511
F70	B5HS	4210
F75	B6HS	4510
F80	B7HS	5110
F85P	BP6HS	4511
F95P	BP7HS	5111
FA50	B4L	3112
FA70	B6L	3212
FE100	B8ES	2411
FE125P	BP6ES	7811
FE135P	BP7ES	2412
FE145P	BP8ES	2912
FE155P	BP8ES	2912
FE220	B9ES	2611
FE30	B4ES	4129
FE45P	BP5ES	6511
FE50	B5ES	6410
FE55P	BP5ES	6511
FE65P	BP6ES	7811
FE70	B5ES	6410
FE75	B6ES	7310
FE80	B7ES	1111
FE85P	BP6ES	7811
FE95P	BP7ES	2412
FS100	B8S	3810

<b>KLK</b>	<b>NGK</b>	<b>→ STOCK No.</b>
FS20	B2	3110
FS30	B4	3210
FS35P	BP4	2911
FS45P	BP5S	3011
FS50	B6S	3510
FS70	B6S	3510
FS75	B7S	3710
FS75H	B7S	3710
FT55P	BP5FS	3412
FT65P	BP5FS	3412
FT85P	BP6FS	3512
FT95P	BP7FS	3612
GT4S	BP5S	3011
GT5	BP5HS	4111
GT5L	BP5ES	6511
GT6	BP6HS	4511
GT6L	BP6ES	7811
GT6T	AP6FS	2710
GT7	BP7HS	5111
GT7L	BP7ES	2412
GT8L	BP8ES	2912
M30	AB2	3020
M50	AB6	2910
M60	AB6	2910
M75	AB7	3010
M80	AB8	7909
MT75P	AP6FS	2710
MT85P	AP6FS	2710
T30	C6HSA	3228
T70	C7HSA	4629
T90	C8HSA	6821
TENL100	C8HSA	6821
TENL30	C7HSA	4629
TFS20	B2	3110
TFS30	B4	3210
TFS50	B6S	3510
TW100	D6HA	6512
TW220	D6HA	6512
TW240	D8HA	7112
TW270	D6HA	6512
TW275	D6HA	6512
TW280	D8HA	7112
TWE270	D8EA	2120
TWE275	D9EA	2420

<b>KTM</b>	<b>NGK</b>	<b>→ STOCK No.</b>
452390-93000	LR8B	6208
590390-93100	DCPR8E	4179
515390-93000	BR9ECMVX	2434
610390-93000	DCPR8E	4339
611390-93000	KR8DI	4742
612390-93200	LKAR9BI9	6205
750390-93000	LKAR8AI-9	6706
780390-93000	LKAR8A-9	4786

<b>KUBOTA</b>	<b>NGK</b>	<b>→ STOCK No.</b>
07909-2225-0	BM6A	5921
07909-2226-0	BM7A	6521
10202-6771-6	AB6	2910
10261-6771-6	G2Z	3320
12268-6771-1	BP2ES	3467
12366-6771-6	BR4HS	3322
12392-6771-1	BP5ES	6511
12647-6771-1	BPR6HS	7022
12681-6774-1	BR5ES	4722
12691-6771-1	BCP4ES-11	1086
12863-6771-1	BP5ES	6511
12866-6771-1	BP5ES	6511
12992-6771-1	BPR5ES	7422
13078-6771-6	BP6ES	7811
13157-6771-2	BM4A	5628
13211-6771-6	B4	3210
13281-6771-6	B4H	4110
13301-6771-6	AB2	3020

<b>KUBOTA</b>	<b>NGK → STOCK No.</b>	<b>LODGE</b>	<b>NGK → STOCK No.</b>	<b>MARCHAL/VALEO</b>	<b>NGK → STOCK No.</b>	<b>MARELLI</b>	<b>NGK → STOCK No.</b>				
13373-6774-1	BMR4A	5728	CLN14P	B5ES	6410	35HS	B6ES	7310	CM5N	AB6	2910
13374-6774-1	BPR4HS	7823	CLNH	B5ES	6410	35M	B6HS	4510	CM6N	AB7	3010
13375-6774-0	BP5ES	6511	CLNY	BP5ES	6511	35P	B6HS	4510	CU7N	C7HSA	4629
13375-6774-1	BPR4HS-10	5024	CN	B5HS	4210	36	B5HS	4210	CW101L	B85EGV	7498
13401-6771-6	B6S	3510	CNY	BP5HS	4111	36B	B5HS	4210	CW10L	B8EG	3430
13412-6771-6	B7S	3710	CSN	B4L	3112	36C	B4	3210	CW112L	B9EG	3530
13451-6771-6	B6HS	4510	CTY	BP5FS	3412	36CM	B4	3210	CW11L	B9EG	3530
13581-6771-6	B7HS	5110	CV	AB6	2910	36D	B5HS	4210	CW12L	B9EG	3530
13582-6771-1	B6HS	4510	H	B6HS	4510	36HS	B5ES	6410	CW12NV	BUH	2422
13641-6771-1	B4H	4110	H12	D6HA	6512	36M	B5HS	4210	CW13L	B10EG	3630
13901-6771-6	BP6HS	4511	H18	AB7	3010	36P	B5HS	4210	CW14L	B10EG	3630
13979-6771-1	BP4HS	3611	HA	B7S	3710	37S	B5HS	4210	CW225A	B6HS	4510
<b>LAND ROVER NGK → STOCK No.</b>			HAN	B7S	3710	4N	B7HS	5110	CW250A	B7HS	5110
LR005253	IFR5N10	7866	HAN/M	B7S	3710	5H	B7ES	1111	CW25N	B4H	4110
LR005483	ILFR6B	6481	HB12	D6HA	6512	5N	BP6HS	4511	CW260N	B7HS	5110
LR019484	ILKAR6C10	95843	HBAN	B6S	3510	5N CYCLO	BP6HS	4511	CW2C	B2	3110
LR025605	ILTR6G8G	96621	HBL12	D8EA	2120	64H	BP7ES	2412	CW2CJ	B2	3110
LR032080	ILKAR7C10	94940	HBLN	B5ES	6410	67HP	BR8EIX	5044	CW2L	B4ES	4129
RTC3812	BP6ES	7811	HBN	B5HS	4210	6H	BP7ES	2412	CW2N	B4H	4110
<b>LD - see CHINESE BRANDS</b>			HBSN	B6L	3212	6N	BP5HS	4111	CW3C	B4	3210
<b>LEXUS - see TOYOTA</b>			HBTNY	AP6FS	2710	70H	BP6ES	7811	CW3CJ	B4	3210
<b>LG - see CHINESE BRANDS</b>			HBTY	BP5FS	3412	76H	BP5ES	6511	CW3CP	BP4	2911
<b>LIXIN - see CHINESE BRANDS</b>			HBV	AB6	2910	7H	BP6ES	7811	CW3L	B4ES	4129
<b>LODGE</b>	<b>NGK → STOCK No.</b>		HL	B6ES	7310	84H	BP5ES	6511	CW3N	B4H	4110
15HLNY	BP6ES	7811	HL12	D9EA	2420	88N	B5HS	4210	CW4A	B5ES	6410
25HLD	BCP6ET	4563	HL14	B6ES	7310	8H	BP6ES	7811	CW4C	B4	3210
25HLNY	BP7ES	2412	HL-E	B6ES	7310	9H	BP5ES	6511	CW4CJ	B4	3210
25XL	BP6ES	7811	HLN	B6ES	7310	C64H	BP6EFS	3812	CW4CP	BP4	2911
2H	B7HS	5110	HLNP	B6ES	7310	C68H	BP6EFS	3812	CW4L	B4ES	4129
2H12	D8HA	7112	HLNY	BP6ES	7811	C7H	BP6EFS	3812	CW4N	B4H	4110
2HA	B6S	3510	HN	B6HS	4510	F70H	BCP7ES	5030	CW4NJ	B4H	4110
2HL	B7ES	1111	HNY	BP6HS	4511	F74H	BCP6ES	4930	CW55N	B5HS	4210
2HL10	C7HSA	4629	HT14	BP5FS	3412	F80H	BCP7ES	5030	CW5C	B4	3210
2HLD	BCP6ES	4930	HT18	AP6FS	2710	GT34	BP7HS	5111	CW5CP	BP5S	3011
2HL-E	B7ES	1111	HTNY	AP6FS	2710	GT34/2H	BP6ES	7811	CW5L	B5ES	6410
2HLN	B7ES	1111	H-TY	BP6FS	3512	GT34/5	BP6HS	4511	CW5LJ	B5ES	6410
2HLNY	BP7ES	2412	HV	AB7	3010	GT34/5D	BP6HS	4511	CW5LP	BP5ES	6511
2HN	B7HS	5110	<b>MARCHAL/VALEO NGK → STOCK No.</b>			GT34/5H	BP6ES	7811	CW5LS	B5ES	6410
2HNY	BP7HS	5111	17C	AB7	3010	GT34/5HA	BP6ES	7811	CW5LSZ	B5ES	6410
2H-TNY	AP7FS	2127	19C	AB7	3010	GT34/5HD	BP6ES	7811	CW5N	B5HS	4210
2HTY	BP6FS	3512	19E	AB7	3010	GT34D	BP7HS	5111	CW5NJ	B5HS	4210
2HV	AB8	7909	19L	AB7	3010	GT34H	BP7ES	2412	CW5NP	BP5HS	4111
2XL	BP6ES	7811	2/13	AB8	7909	GT34HD	BP6ES	7811	CW5NR	BR5HS	3722
3HAN	B8S	3810	2/32	B8HS	5510	GT35	BP5HS	4111	CW5NS	B5HS	4210
3HLN	B8ES	2411	2/32H	B8ES	2411	GT35D	BP5HS	4111	CW5NSZ	B5HS	4210
3HLNY	BP7ES	2412	2/33	B8HS	5510	GT35H	BP5ES	6511	CW67L	B6ES	7310
3HN	B8HS	5510	2/33H	B7ES	1111	GT35HD	BP5ES	6511	CW67LP	BP6ES	7811
3HNY	BP8ES	2912	20C	AB6	2910	H32RG	B9EG	3530	CW67N	BP6HS	4511
4HLNY	BP8ES	2912	20E	AB6	2910	H33RG	B8EG	3430	CW67NJ	B6HS	4510
5HLNY	BP8ES	2912	20L	AB6	2910	H34F	B8ES	2411	CW67NR	BR6HS	3922
B14	B4H	4110	21C	AB6	2910	HA32/2	B8ES	2411	CW67P	BP5ES	6511
BAN	B4	3210	21E	AB6	2910	HA32RS	B9EG	3530	CW6C	B6S	3510
BANY	BP5S	3011	21L	AB6	2910	HF34	B7ES	1111	CW6CE	BM6A	5921
BBANY	BP4	2911	22L	AB2	3020	HF34F	B8ES	2411	CW6CJ	B6S	3510
BBL	AB6	2910	22LM	AB2	3020	RR31HS	B10EG	3630	CW6L	B5ES	6410
BBNY	BP4HS	3611	23F	A6FS	2210	RR32HS	B9EGV	5827	CW6LJ	B5ES	6410
BLN	B4ES	4129	34/5HS	BP6ES	7811	RR33HSS	B8EGV	5627	CW6LP	BP5ES	6511
BLNY	BP5ES	6511	34C	B7S	3710	SCGT34/5H	BP6EFS	3812	CW6LR	BR5ES	4722
BLTY	BPR5EFS	2223	34CM	B7S	3710	SCGT35H	BP6EFS	3812	CW6LS	B5ES	6410
BN	B4H	4110	34HS	B7ES	1111	V36A	B5HS	4210	CW6LSZ	B5ES	6410
B-TY	BP5FS	3412	34HSM	B7ES	1111	V6N SOLEX	B5HS	4210	CW6N	B6HS	4510
BV	AB2	3020	34S	B7HS	5110	<b>MARELLI NGK → STOCK No.</b>			CW6NE	BM6A	5921
CAN	B6S	3510	35	B6HS	4510	7LCR	BKR6E	6962	CW6NJ	B6HS	4510
CANB	BPM6A	7021	35/1	BP6HS	4511	7LPR	BKR6E	6962	CW6NP	BP6HS	4511
CANC	BM6A	5921	35/1B	BP6HS	4511	8LCR	BCPR7ES	3330	CW6NPR	BPR6HS	7022
CB14	B5ES	6410	35/1D	BP6HS	4511	8LDCR	PTR5A-10	5055	CW6NR	BR6HS	3922
CL14	B5ES	6410	35/36D	B6HS	4510	8LPR	BCPR7ES	3330	CW75LP	BP6ES	7811
CLN	B6ES	7310	35/36P	B6HS	4510	AW56C	BM7A	6521	CW78L	B6ES	7310
			35/36R	B6HS	4510	AW5C	BM6A	5921	CW78LP	BP6ES	7811
			35B	B6HS	4510	CM1N	AB2	3020	CW78LPR	BPR6ES	7822
			35C	B6S	3510	CM2N	AB2	3020	CW78LPS	BP6ES	7811
			35CM	B6S	3510	CM3N	AB2	3020	CW7C	B6S	3510
			35HA	BP6ES	7811	CM4N	AB6	2910	CW7L	B6ES	7310
									CW7LCR	BKR6E	6962





<b>MERCUISER NGK → STOCK No.</b>		
33-885S	BU8H	6431
33-886	BUZ8H	7447
33-896	B5HS	4210
33-898	BUZHW	2147
33-918	ZFR6F-11	4291
33-924	BP8HS-15	6729
33-936C	BP8HS-10	3823
33-936S	BP8HS-10	3823
33-938	BPZ8HS-10	3133
33-938	BPZ8HS-10	3133
33-939	BPZ8HS-15	3180
33-941	BR8HS	4322
33-97180	BUHW	2622
33-97180B	BUHW	2622
33-97182	BUHW-2	5626
33-97182B	BUHW-2	5626
33-97184	BP7HS-10	7829
33-97186	B9HS-10	3626
33-97186B	B9HS-10	3626
33-97389	BPR6FS	2623

<b>MINI (BMW) NGK → STOCK No.</b>		
12 12 0 030 548	BKR6EQU	3199
12 12 0 031 708	BKR7EQU	4285
12 12 0 034 098	PLZKBR7A-G	5843
12 12 0 035 531	ILZKBR7A-8G	5992

<b>MITSUBISHI NGK → STOCK No.</b>		
1822A005	ILZFR6C-K	6645
18822A021	ILKR8E6	1422
1822A022	ILFR7H	5245
MD 313 443	PFR6G-11	5555
MD 314 766	BKR7EKC-N	2095
MD 338 991	PGR7A	3200
MD 360 019	IZFR6B	3116
MD 360 383	IZFR5B	4080
MD 371 434	IGR7A	6687
MD 372 588	IFR6E11	6741
MD 374 841	IGR7A-G	3106
MN 119 487	IFR6S	99404
MN 119 500	IGR6A11	5743
MN 137 919	IFR6C-11	5788
MN 158 596	LZFR6AI	3656
MN 163 235	FR5EI	1313
MN 176 628	ILZFR6C-K	6645
MS 851 022	BP5ES	6511
MS 851 023	BP6ES	7811
MS 851 024	BP7ES	2412
MS 851 102	BP5EY	7327
MS 851 104	BP6EY	7727
MS 851 111	B4	3210
MS 851 113	B6S	3510
MS 851 121	BP4	2911
MS 851 126	BPR6E	6464
MS 851 132	B5HS	4210
MS 851 133	B6HS	4510
MS 851 134	B7HS	5110
MS 851 162	B5ES	6410
MS 851 163	B6ES	7310
MS 851 164	B7ES	1111
MS 851 165	B8ES	2411
MS 851 174	BR7ES	5122
MS 851 182	BP5ES	6511
MS 851 183	BP6ES	7811
MS 851 184	BP7ES	2412
MS 851 192	BP6ES	7811
MS 851 232	BPR5ES	7422
MS 851 233	BPR6ES	7822
MS 851 234	BPR7ES	2023
MS 851 235	BPR5ES	7422
MS 851 236	BPR6ES	7822
MS 851 237	BPR5ES-11	4424
MS 851 238	BPR6ES-11	4824
MS 851 239	BPR7ES-11	7226

<b>MITSUBISHI NGK → STOCK No.</b>		
MS 851 243	BP5EY	7327
MS 851 263	G2Z	3320
MS 851 283	BP6E	7529
MS 851 286	BP5EY	7327
MS 851 287	BP6EY	7727
MS 851 301	PGR5A-11	3573
MS 851 317	DCPR7E	3932
MS 851 327	DCPR7EVX	1179
MS 851 327	DCPR7EIX	6046
MS 851 332	PFR6B-11	4014
MS 851 335	PFR5J-11	4642
MS 851 336	PFR6J-11	2743
MS 851 347	PFR7M	4877
MS 851 352	BK6E	3536
MS 851 357	BKR5E-11	6953
MS 851 358	BKR6E-11	2756
MS 851 367	BKR5E	7938
MS 851 368	BKR6E	6962
MS 851 403	BPR6ES-11	4824
MS 851 408	BPR6ES-11	4824
MS 851 412	BPR5ES	7422
MS 851 413	BPR6ES	7822
MS 851 414	BPR7ES	2023
MS 851 417	BPR5ES-11	4424
MS 851 418	BPR6ES-11	4824
MS 851 419	BPR7ES-11	7226
MS 851 454	BR7ES	5122
MS 851 473	PFR6B-11	4014
MS 851 473	PFR6J-11	2743
MS 851 478	BPR6ES-11	4824
MS 851 502	PFR6J-11	2743
MS 851 722	BK6E	3536
MS 851 727	BKR5E-11	6953
MS 851 728	BKR6E-11	2756
MS 851 737	BKR5E	7938
MS 851 738	BKR6E	6962
MS 851 882	BPR7EKN	7738
MZ 602 100	HB6AIX-11P	5703
MZ 602 101	HB6BIX-11P	5705
Z 2152 944	BPR6ES-11	4824
Z 2152 945	BPR6ES	7822
Z 2152 946	BR7ES	5122
Z 2152 947	BPR7ES	2023
Z 2152 948	BPR7ES-11	7226
Z 2152 949	BCPR7ES-11	1095
Z 2152 950	BCPR6ES-11	7121

<b>MONTESA NGK → STOCK No.</b>		
98059-56916-00	CR6EH-9	2688

**MOPAR - see CHRYSLER GROUP**

<b>MOTORCRAFT NGK → STOCK No.</b>		
A11	B2	3110
A11NX	BM4A	5628
A11U	B6	3110
A11X	B2	3110
A1CU	B8S	3810
A21X	B8S	3810
A22NX	BPM7A	7321
A2NX	BM7A	6521
A3CU	B6S	3510
A3NX	BM6A	5921
A3X	B6S	3510
A42	BP5S	3011
A42CU	BP5S	3011
A5	B6S	3510
A5CU	B6S	3510
A5X	B6S	3510
A52	BP5S	3011
A52CU	BP5S	3011
A7	B4	3210
A7LM	B4LM	3410
A7N	BM6A	5921

<b>MOTORCRAFT NGK → STOCK No.</b>		
A7NU	BM6A	5921
A7NX	BM6A	5921
A7U	B4	3210
A7X	B4	3210
A82	BP4	2911
A9	B4	3210
A901	B8S	3810
A9X	B4	3210
AE1C	B7HS	5110
AE1X	B7HS	5110
AE2	B7HS	5110
AE2C	B7HS	5110
AE2X	B7HS	5110
AE22	BP6HS	4511
AE22C	BP6HS	4511
AE3	B6HS	4510
AE3X	B6HS	4510
AE32	BP6HS	4511
AE32C	BP6HS	4511
AE3C	B6HS	4510
AE4	B5HS	4210
AE4X	B5HS	4210
AE42	BP5HS	4111
AE6	B5HS	4210
AE62	BP5HS	4111
AE7	B4H	4110
AE901	B9HS	5810
AE901X	B9HS-10	3626
AER32	BPR6HS	7022
AER4	BR5HS	3722
AER4X	BR5HS	3722
AF12	BP7FS	3612
A-2	B7FS	3027
AF22	BP6FS	3512
AF32	BP6FS	3512
AF3NX	BM7F	6421
AF42	BP5FS	3412
AF5NX	BM6F	6221
AG1	B8ES	2411
AG1C	B8ES	2411
AG1X	B8ES	2411
AG12	BP7ES	2412
AG12C	BP7ES	2412
AG12CU	BP7ES	2412
AG2	B7ES	1111
AG2C	B7ES	1111
AG2CU	B7ES	1111
AG2X	B7ES	1111
AG203	B11EGP	2191
AG72	BP6ES	7811
AG22C	BP6ES	7811
AG22CU	BP6ES	7811
AG23	B7ECS	2528
AG252	BP6ES	7811
AG252C	BP6ES	7811
AG3	B6ES	7310
AG3C	B6ES	7310
AG3X	B6ES	7310
AG32A	BP6ES	7811
AG32C	BP6ES	7811
AG32CU	BP6ES	7811
AG4	B5ES	6410
AG403	B10EGP	5224
AG403C	B10EGP	5224
AG42	BP5ES	6511
AG42CU	BP5ES	6511
AG44	ZGR5C	6334
AG44CU	BP5EY	7327
AG5	B5ES	6410
AG501X	B10EGV	5927
AG52	BP5ES	6511
AG54	ZGR5C	6334
AG5CU	B5ES	6410
AG7	B5ES	6410

<b>MOTORCRAFT NGK → STOCK No.</b>		
AG701	B9ES	2611
AG701C	B9ES	2611
AG701CU	B9ES	2611
AG701X	B9EGV	5827
AG9	B4ES	4129
AG9U	B4ES	4129
AG901	B9ES	2611
AG901C	B9ES	2611
AG901CU	B9ES	2611
AG901X	B8EGV	5627
AG902	BP8ES	2912
AG903	B8EG	3430
AGF12	BP7EFS	3526
AGF12C	BP7EFS	3526
AGF22C	BP6EFS	3812
AGF32CU	BP6EFS	3812
AGFS22C1	BPR5EFS	2223
AGFS22F13J	TR6AP-13	5809
AGFS22FE13J	PTR6F-13	7569
AGFS22IPJ	ITR6F13	4477
AGKO	BUE	2322
AGN42	BP5ES	6511
AGP12C	BCP7ES	5030
AGP22C	BCP6ES	4930
AGP701C	R7435-10	4897
AGPR12C	BCPR7ES	3330
AGPR12PP8	PFR7B	4853
AGPR22C	BKR6E	6962
AGPR22C1	BCPR6ES-11	7121
AGPR22CD	BKR6E	6962
AGPR22CD1	BCPR6ES-11	7121
AGPR22PP	PFR6B-11	4014
AGPR22PPJ	PFR6B-11	4014
AGPR32C	BKR6E	6962
AGPR32CD1	BCPR6ES-11	7121
AGPR32PD	BKR5EKUP	2890
AGPR902P	R7436-9	4899
AGPS22C	BCPR6ES	6130
AGPS22P1	BKR6EIX	6418
AGPS22PP1	PFR6B	3500
AGPS32C	BCPR6ES	6130
AGPS44F	PZFR5D-11	7968
AGPS44F11J	PZFR5D-11	7968
AGR1X	BR8ES	5422
AGR12C	BPR7ES	2023
AGR16C	BR8ET	4221
AGR2C	BR7ES	5122
AGR21	BR6ES	4922
AGR22	BPR6ES	7822
AGR22C	BPR6ES	7822
AGR22CU	BPR6ES	7822
AGR3X	BR6ES	4922
AGR31	BR6ES	4922
AGR32	BPR6ES	7822
AGR32C	BPR6ES	7822
AGR32CU	BPR6ES	7822
AGR34CU	BPR6EY	6427
AGR41	BR5ES	4722
AGR42	BPR5ES	7422
AGR42C	BPR5ES	7422
AGR42CU	BPR5ES	7422
AGR44CU	BPR5EY	2828
AGR44CU-11	BPR5EY-11	3028
AGR51	BR5ES	4722
AGR52	BPR5ES	7422
AGR701X	BR9EIX	3981
AGR82	BPR4ES	7222
AGR901X	BR8EIX	5044
AGRF22	BPR6EFS	3623
AGRF22C	BPR6EFS	3623
AGRF22C1	BPR6EFS	3623
AGRF22PP1	PTR5D-10	3784
AGRF32	BPR6EFS	3623
AGRF32C1	BPR6EFS	3623

MOTORCRAFT	NGK → STOCK No.	
AGRF42	BPR5EFS	2223
AGRF52	BPR5EFS	2223
AGRP52	ZFR4F-11	4043
AGS22C	BPR6ES	7822
AGS32C	BPR5ES	7422
AGS32C-11	BPR5ES-11	4424
AGSF22PPJ	PTR6F-13	7569
AGSF32C	BPR5EFS	2223
AGSF32FM	PTR5D-13	6644
AGSP32	BCPR6ES-11	7121
AGSP32C	BCPR6ES-11	7121
AGSP33C	ZFR6F-11	4291
AGSP52	BKR5E	7938
AL11	B4L	3112
AL5	B6L	3212
AL5X	B6L	3212
AL7	B6L	3212
AL7U	B6L	3212
AL7X	B6L	3212
AL9	B4L	3112
AL9X	B4L	3112
AR21X	BR6S	3522
AR31	BR6S	3522
AR41	BR6S	3522
AR42	BP5S	3011
AR51	BR6S	3522
AR52	BP5S	3011
AR7N	BMR6A	7421
AR82	BP4	2911
ARF2	BR6FS	4323
ARF22	BPR6FS	2623
ARF22C	BPR6FS	2623
ARF22CU	BPR6FS	2623
ARF3	BR6FS	4323
ARF32	BPR6FS	2623
ARF32-6	BPR6FS	2623
ARF32C-6	BPR6FS	2623
ARF32M	BPR6FS	2623
ARF4	BR5FS	4123
ARF41CU15	BR5FS-15	2224
ARF42	BPR5FS	2423
ARF42-6	BPR5FS-15	3124
ARF42CU	BPR5FS	2423
ARF4-6	BR5FS-15	2224
ARF52	BPR4FS	1127
ARF52-6	BPR4FS-15	2727
ARF6	BR5FS	4123
ARF62	BPR4FS	1127
ARF62-6	BPR4FS-15	2727
ARF8	BR5FS	4123
ARF8-6	BR5FS-15	2224
ASF32	BPR6FS	2623
ASF32C	BPR6FS	2623
ASF32M	BPR6FS	2623
ASF42	BPR5FS-11	2924
ASF42-6C	BPR5FS-15	3124
ASF42C	BPR5FS-11	2924
ASF52	BPR4FS	1127
ASF52-6	BPR4FS-15	2727
ASF52C	BPR5FS	2423
AT1	B8S	3810
AT10	B2	3110
AT2	B7S	3710
AT3	B6S	3510
AT4	B6S	3510
AT42	BP5S	3011
AT6	B6S	3510
AT8	B4	3210
ATL3	B6L	3212
ATL4	B6L	3212
ATL8	B4L	3112
AV1X	B8HS	5510
AV22CU	BP6HS	4511
AV2CU	B7HS	5110

MOTORCRAFT	NGK → STOCK No.	
AV2X	B7HS	5110
AV3CU	B6HS	4510
AV4	B5HS	4210
AV42	BP5HS	4111
AV52	BP5HS	4111
AV6	B4H	4110
AV6CU	B4H	4110
AV701CU10	B9HS-10	3626
AV82	BP4HS	3611
AV901CU	B9HS	5810
AV901X-4	B9HS-10	3626
AVKO	BUH	2422
AVKOD	BUHW	2622
AVZKO	BUHX	2522
AWRF32	BPR6EFS	3623
AWRF42	BPR5EFS	2223
AWSF22C	BPR6EFS	3623
AWSF22FS	PTR6D-13	5598
AWSF32	BPR6EFS	3623
AWSF32C	BPR6EFS	3623
AWSF32F	PTR5D-10	3784
AWSF32P	PTR5D-10	3784
AWSF32PP	PTR5D-10	3784
AWSF42	BPR5EFS	2223
AWSF42C	BPR5EFS	2223
AWSF52C	BPR5EFS	2223
AWSFA32C	BPR5EFS	2223
AYFS092FEC	PLTR6A-10G	3587
AYFS22C	TR5A-10	0005
AYFS22CB	TR5B-13	4559
AYFS22FE1J	PLTR6A-10G	3587
AYFS22P1	PTR5A-10	5055
AYFS22PP1	PTR5A-10	5055
AYFS32CJ	TR5B-13	4559
AYRF22PP	PTR5A-10	5055
AYSF32YPC	ILTR5A-13G	3811
AZ2	B7S	3710
AZ3	B6S	3510
AZ9	B4	3210
AZ901	B8S	3810
AZFS22PP	PTR5A-10	5055
AZFS32FE	PTR5A-10	5055
B2W	AB8	7909
B3W	AB7	3010
B3X	AB7	3010
B4X	AB7	3010
B6W	AB6	2910
B8X	AB6	2910
BF12	AP8FS	2227
BF22	AP6FS	2710
BF22C	AP6FS	2710
BF22CU	AP6FS	2710
BF22CX	AP6FS	2710
BF22X	AP6FS	2710
BF32	AP6FS	2710
BF32CU	AP6FS	2710
BF32CX	AP6FS	2710
BF32X	AP6FS	2710
BR8	AB6	2910
BRF22	APR6FS	2922
BRF22C	APR6FS	2922
BRF32	APR6FS	2922
BRF42	APR5FS	3122
BRF82	APR5FS	3122
BSF32C	APR6FS	2922
BSF42C	APR5FS	3122
BSF82	APR5FS	3122
BSF92	APR5FS	3122
BT10	AB6	2910
BT15	AB2	3020
BT2	AB8	7909
BT3	AB7	3010
BT4	AB7	3010
BT6	AB6	2910

MOTORCRAFT	NGK → STOCK No.	
BT8	AB6	2910
BT9	AB6	2910
BTF3	A6FS	2210
BTF31	A6FS	2210
BTF6	A6FS	2210
BTRF42	APR5FS	3122
BZ8	AB6	2910
CYFS13YRC	ILZTR6A8G	94769
HG2	D8EA	2120
HG22	D8EA	2120
HG2CU	D8EA	2120
HGR2C	DR8ES-L	2923
HV2	D8HA	7112
HV22	D6HA	6512
HV3	D6HA	6512
PV2	C7HSA	4629
PV3	C6HSA	3228
TT4	G2Z	3320
TT8	G2Z	3320
YN2F-12405A2A	TR5B-13	4559
MV AGUSTA	NGK → STOCK No.	
7699116	CR9EKB	2305
NANDA - see CHINESE BRANDS		
NHSP LD - see CHINESE BRANDS		
NIPPON DENSO - see DENSO		
NISSAN	NGK → STOCK No.	
-01P15	BCPR5ES-11	3524
-01P16	BCPR6ES-11	7121
-01P17	BCPR7ES-11	1095
-02P15	BCPR5E-11	1273
-02P16	BCPR6E-11	3132
-10F15	BGP5ES	7496
-10F16	BGP6ES	4930
-10F17	BCP7ES	5030
-12E15	BCPR5ES	6130
-12E16	BKR6E	6962
-12E17	BCPR7ES	3330
-1P115	PFR5G-11	2647
-1P116	PFR6G-11	5555
-1P117	PFR7G-11S	7772
-20J05	BKR5E	7938
-20J06	BKR6E	6962
-20J07	BKR7E	6097
22401-1HC1B	LZKAR6AP-11	6643
22401-5M015	PLFR5A-11	6240
22401-9133R	ILKAR7J7G	91121
22401-BC01B	LF5E-11	1669
22401-CK87B	PLZKAR6A-11	5118
22401-EW61C	DF7H-11B	1317
22401-FU412	FR2A-D	4768
22401-FU42A	FR2B-D	1598
22401-JA01B	DILKAR6A11	9029
22401-JF01D	DILKAR8A8	93026
22401-JK01D	DF8H-11B	1305
22401-RS345-8	R7345-8	4379
22401-V1414	BPR4ES	7222
22401-W8914	BPR4ES	7222
BY483-HB6AX	HB6AIX-11P	5703
BY483-HB6BX	HB6BIX-11P	5705
-30R15	ZFR5E-11	4435
-50Y05	BKR5E-11	6953
-50Y06	BKR6E-11	2756
-53J05	BKR5EY	7390
-53J06	BKR6EY	3696
-53J16	PFR6B-9	4377
-53J66	PFR6B-9	4377
-58S16	PFR6A-11	4045
-85E15	BKR5E-11	6953
-85E16	BKR6E-11	2756

NISSAN	NGK → STOCK No.	
-85E17	BKR7E-11	1283
-99B07	BCPR7ES-11	1095
-99B09	BCPR6ES-11	7121
-99B12	BCPR5ES-11	3524
-F2000	BPR4ES	7222
-P8315	BPR5ES-11	4424
-P8316	BPR6ES-11	4824
-P8317	BPR7ES-11	7226
-S2000	BPR5ES	7422
-S2100	BPR6ES	7822
-V1414	BPR4ES	7222
-V1415	BPR5ES	7422
-V1416	BPR6ES	7822
-V1417	BPR7ES	2023
-W8915	BP5ES	6511
-W8916	BP6ES	7811
-W8917	BP7ES	2412
OMC	NGK → STOCK No.	
115206	BP6HS	4511
387694	B7HS	5110
437929	BPR7HS	6422
445098	D6HA	6512
502177	B6HS	4510
502194	B7HS-10	2129
502196	BR6S	3522
502894	BUZ8H	7447
503948	BPR6HS	7022
503949	BR6HS	3922
503950	BR6HS	3922
504082	BR6HS	3922
509921	BUHW	2622
509922	BUHW-2	5626
509924	BUZ8H	7447
509925	BZ7HS-10	3579
509926	BUHXW-1	5526
509928	B6S	3510
509929	B7HS	5110
584918	DCPR7E	3932
771770	BUZHW-2	2173
OPEL - see VAUXHALL		
OREGON - see BRISK		
PAL	NGK → STOCK No.	
14-5	B4H	4110
14-5Y	BP4HS	3611
14-7	B5HS	4210
14-7Y	BP5HS	4111
14-8	B6HS	4510
14-8R	BR6HS	3922
14-8Y	BP6HS	4511
14-9	B8HS	5510
14-9R	BR7HS	4122
14-9Y	BP7HS	5111
14K-5	B4	3210
14K-5Y	BP4	2911
14K-7Y	BP5S	3011
14K-8	B6S	3510
14L-5	B5ES	6410
14L-5R	BR5ES	4722
14L-5Y	BP5ES	6511
14L-7	B6ES	7310
14L-7R	BR6ES	4922
14L-7Y	BP6ES	7811
14L-8	B6ES	7310
14L-8Y	BP6ES	7811
14L-9	B7ES	1111
14L-9Y	BP7ES	2412
17-9	B7HS	5110
18-5	AB6	2910
18-5R	AB6	2910
18-7	AB7	3010

PAL	NGK → STOCK No.	PEUGEOT	NGK → STOCK No.	PRESTOLITE	NGK → STOCK No.	PRESTOLITE	NGK → STOCK No.				
B14YC	DPR8EA-9	4929	5962.71	BKR6ES	3783	14-2X	B6S	3510	14RF32A	BPR5FS-15	3124
D14YC	BCP7ES	5030	5962.72	BP6EFS	3812	14-3	B6S	3510	14RF42	BPR5FS	2423
D15YC	BCP6ES	4930	5962.7S	BKR6EZ	4619	14-3N	BM7A	6521	14RF42-6	BPR5FS-15	3124
D17YC	BCP5ES	7496	5962.80	BP6HS	4511	14-3X	B6S	3510	14RF42A	BPR5FS-15	3124
DR14YC	BCPR7ES	3330	5962.82	BP6ES	7811	14-4	B6S	3510	14RF52	BPR4FS	1127
DR15YC	BKR6E	6962	5962.87	BP6EFS	3812	14-42	BP5S	3011	14RF52-6	BPR4FS-15	2727
DR17YC	BCPR5ES	6130	5962.88	BP8ES	2912	14-5	B6S	3510	14RF52A	BPR4FS-15	2727
G14YC	BP7EFS	3526	5962.90	BP6HS	4511	14-52	BP5S	3011	14RF62	BPR4FS	1127
G15YC	BP6EFS	3812	5962.94	BP7ES	2412	14-5X	B6S	3510	14RF62-6	BPR4FS-15	2727
G17YC	BP5EFS	3712	5962.98	BP7ES	2412	14-7	B4	3210	14RF62A	BPR4FS-15	2727
K17C	B6S	3510	5962.A1	BP7ES	2412	14-7N	BM6A	5921	18-10	AB6	2910
K17Y	BP5S	3011	5962.A2	BP6ES	7811	14-7X	B4	3210	18-3	AB6	2910
K19	B4	3210	5962.A3	BP6HS	4511	14-82	BP4	2911	18-4	AB6	2910
L08W	B11EGV	5831	5962.A5	PLZKBR7A-G	5843	14-9	B4	3210	18-8	AB6	2910
L12W	BR9EIX	3981	5962.A0	BP7ES	2412	14-9X	B4	3210	18-9	AB6	2910
L12YC	BP9ES	7526	5962.C5	BKR6ES	3783	14E01	BUH	2422	18F22	AP6FS	2710
L14C	B8ES	2411	5962.C6	BKR6ES	3783	14E1	B8HS	5510	18F3	A6FS	2210
L14YC	BP7ES	2412	5962.C0	BP5EFS	3712	14E2	B7HS	5110	18F32	AP6FS	2710
L15C	B7ES	1111	5962.E2	BCP6ES	4930	14E22	BP7HS	5111	18F6	A6FS	2210
L15W	BR8EIX	5044	5962.F7	BCP6ES	4930	14E3	B6HS	4510	18RF32	APR6FS	2922
L15YC	BP6ES	7811	5962.F8	BCP6ES	4930	14E32	BP6HS	4511	18RF42	APR6FS	2922
L17C	B6ES	7310	5962.G8	BP7ES	2412	14E4	B5HS	4210	18RF82	APR6FS	2922
L17YC	BP5ES	6511	5962.H2	BKR6ES	3783	14E42	BP6HS	4511	78-10	G2Z	3320
L19C	B5ES	6410	5962.H8	BKR5E	7938	14E52	BP5HS	4111	78-8	G2Z	3320
L5Y	BP5ES	6511	5962.H9	BCPR5ES	6130	14E6	B5HS	4210			
L7Y	BP6ES	7811	5962.J9	BKR6ES	3783	14E62	BP5HS	4111			
L8	B6ES	7310	5962.J0	BCP6ES	4930	14E82	BP4HS	3611			
L8Y	BP6ES	7811	5962.K1	BCPR7ES	3330	14ER4	BR6HS	3922	<b>PROTECNICA</b>	<b>NGK → STOCK No.</b>	
L9Y	BP7ES	2412	5962.K3	BCP7ET	2078	14ER6	BR6HS	3922	4708	BR2LM	5798
LR12YC	BPR8ES	3923	5962.K4	BKR6ES	3783	14F22	BP6FS	3512	4843	BPM7A	7321
LR14YC	BPR7ES	2023	5962.K6	BKR6ES	3783	14F32	BP6FS	3512			
LR15YC	BPR6ES	7822	5962.K7	BCPR6ET	2197	14F3N	BM7F	6421	<b>PROTON</b>	<b>NGK → STOCK No.</b>	
N12YC	BP8ES	2912	5962.K0	BCPR7ES	3330	14F42	BP5FS	3412	8200030765	LZKAR7A	6799
N14C	B9HS	5810	5962.R5	BCPR6ET	2197	14F52	BPR4FS	1127	MS851232E	BPR5ES	7422
N14YC	BP7HS	5111	5962.R9	BKR6ES	3783	14F7N	BM6F	6221	MS851233E	BP6ES	7822
N15C	B7ES	1111	5962.S2	BKR6E	6962	14G01	BUJ	2322	MS851358E	BKR6E-11	2756
N15YC	BP6HS	4511	5962.S4	BKR5E	7938	14G1	B8ES	2411	PW811750	BPR6EF-11	95420
N17C	B6HS	4510	5962.T8	BKR6ES	3783	14G12	BP8ES	2912	LAP6FS	AP6FS	2710
N17Y	BP4HS	3611	5962.V6	BKR5E	7938	14G2	B7ES	1111	LBCPR6ES	BCPR6ES	2330
N17YC	BP5HS	4111	5962.V7	BKR6ES	3783	14G22	BP6ES	7811	LBCP6ES	BCP6ES	4930
N19	B4H	4110	5962.V8	BCPR7ES	3330	14G3	B6ES	7310	LBPR6EFS	BPR6EFS	3623
N19C	B5HS	4210	5962.W4	BCPR6ET	2197	14G32	BP5ES	6511	LBP5ES	BP5ES	6511
N7	B6HS	4510	5962.W6	BCPR7ES	3330	14G4	B6ES	7310	LBP6EFS	BP6EFS	3812
N7Y	BP6HS	4511	5962.W7	BCPR7ES	3330	14G42	BP5ES	6511	LBP6ES	BP6ES	7811
N8	B7HS	5110	5962.W9	BKR5EK	7956	14G5	B5ES	6410	PW811750	BPR6EF-11	95420
N8Y	BP7HS	5111	5962.X5	BCP6ES	4930	14G52	BP5ES	6511			
NR12YC	BPR8HS	3725	5962.Y2	BKR5EK	7956	14G7	B5ES	6410	<b>RAM - see CHRYSLER GROUP</b>		
NR15YC	BPR6HS	7022	5962.Y8	BKR6EK	2288	14G902	BP8ES	2912	<b>RENAULT</b>	<b>NGK → STOCK No.</b>	
P15	BM7A	6521	5962.Z0	BKR6EK	2288	14GF22	BP6EFS	3812	22401-9133R	ILKAR7J7G	91121
P15Y	BPM7A	7321	800942	CR9EB	6955	14GR22	BPR6ES	7822	77 00 101 401	BCPR5ES	6130
P17	BM6A	5921	9676288180	LZKR6Al-10G	97999	14GR32	BPR5ES	7422	77 00 103 502	BPR5ES	7422
P17Y	BPM6A	7021	V 7534226803 03	PLZKBR7A-G	5843	14GR4	BR6ES	4922	77 00 103 503	BPR5ES	7422
PR15Y	BPMR7A	4626				14GR42	BPR5ES	7422	77 00 103 533	BKR5EK	7956
PR17Y	BPMR6A	6726				14GR42	BPR5ES	7422	77 00 107 916	BKR5EK	7956
S14L-13	B8EG	3430	<b>PIAGGIO</b>	<b>NGK → STOCK No.</b>		14GR52	BPR4ES	7222	77 00 260 637	BCP7ET	2078
S14L-15	B9EG	3530	641546	ER9EH-6N	1673	14GR53	ZGR5C	6334	77 00 266 295	BPR6EFS	3623
S14L-17	B10EG	3630	638049	BR7HS	4122	14GR7	BR5ES	4722	77 00 267 140	BPR6EFS	3623
U17	BM6F	6221				14GRF22	BPR6EFS	3623	77 00 267 805	BP7EFVX	3344
						14GRF32	BPR5EFS	2223	77 00 267 805	TR7IX	3690
						14GRF52	BPR5EFS	2223	77 00 273 462	BKR6E	6962
						14L4	B6L	3212	77 00 273 698	BKR6EIX	6418
<b>PEUGEOT</b>	<b>NGK → STOCK No.</b>					14L7	B6L	3212	77 00 500 155	BKR6EZ	4619
5960.83	LZKAR7A	6799				14L9	B4L	3112	77 00 500 192	LF4AP-11	5613
5960.F0	BKR6EZ	4619				14R3	BR6S	3522	77 00 553 622	BP6ES	7811
5960.G1	LZKAR7A	6799				14R32	BP5S	3011	77 00 565 155	BR9EIX	3981
5960.L5	ILZKBR7A-8G	5992				14R4	BR6S	3522	77 00 587 168	BP6HS	4511
5962.05	BP6EFS	3812				14R42	BP5S	3011	77 00 714 540	BPR6EFS	3623
5962.09	BP6EFS	3812				14R5	BR6S	3522	77 00 722 095	BP6EFS	3812
5962.13	BP6ES	7811				14R52	BP4	2911	77 00 724 821	BP6ES	7811
5962.14	BP6EFS	3812				14R53	BP4	2911	77 00 725 302	BPR5ES	7422
5962.15	BP6EFS	3812				14R7N	BM6A	5921	77 00 726 503	BP7EFS	3526
5962.16	BP6ES	7811				14R8	B6S	3510	77 00 727 383	BPR6ES	7822
5962.21	BP6ET	1263				14RF22	BPR6FS	2623	77 00 731 583	BP7EFS	3526
5962.22	BPR6EIX	6637				14RF32	BPR5FS	2423	77 00 732 626	BP8ES	2912
5962.5G	BKR6EZ	4619				14RF32-6	BPR5FS-15	3124	77 00 733 422	BP8ES	4111
5962.6V	BKR6EZ	4619									

RENAULT	NGK → STOCK No.	
77 00 736 149	BP7EFS	3526
77 00 736 150	BP7EFS	3526
77 00 737 457	BP7EFS	3526
77 00 737 458	BP6EFS	3812
77 00 737 459	BP7ES	2412
77 00 737 612	BCP5ES	7496
77 00 742 094	BPR7ES	2023
77 00 743 137	BCP5ES	7496
77 00 743 920	BP5ES	6511
77 00 749 163	BCP5ES	7496
77 00 824 821	BP6ES	7811
77 00 852 522	BP6EFS	3812
77 00 852 543	BP7EFVX	3344
77 00 852 543	TR7IX	3690
77 00 855 463	BCP6ET	4563
77 00 855 918	BP5EFS	3712
77 00 856 342	BCP6ET	4563
77 00 859 910	BCP5ES	7496
77 00 859 967	BP5ES	6511
77 00 861 471	BP7ES	2412
77 00 861 472	BP6ESZ	7639
77 00 862 054	BP5ES	6511
77 00 868 864	BPR7ES	2023
77 00 871 617	BCPR6ET	2197
77 01 021 767	BP6EFS	3812
77 01 041 214	BP5ES	6511
77 01 041 215	BP6EFS	3812
77 01 042 816	BKR6E	6962
77 01 043 624	BCPR6ET	2197
77 01 045 018	BP7EFS	3526
77 01 366 057	BP6HS	4511
77 01 366 084	BR8EIX	5044
77 01 366 085	BR7EIX	6664
77 01 366 086	BP6ES	7811
77 01 366 087	BP7ES	2412
77 01 366 137	BP6EFS	3812
77 01 366 267	BP6HS	4511
77 01 366 268	BP7ES	2412
77 01 366 269	BP6ES	7811
77 01 366 270	BP6EFS	3812
77 01 366 513	BP5HS	4111
77 01 366 514	BP6EFS	3812
77 01 366 515	BP6HS	4511
77 01 366 516	BP6ES	7811
77 01 366 533	B6HS	4510
77 01 366 539	BP5ES	6511
77 01 366 903	BP5ES	6511
77 01 414 022	BP5HS	4111
77 01 414 025	BP6ES	7811
77 01 414 026	BP7EFS	3526
77 01 414 027	BP7EFS	3526
77 01 414 031	BPR6ES	7822
82 00 030 765	LZKAR7A	6799
82 00 314 928	PFR7G-9	4371
82 00 322 273	LZKAR7A	6799
82 00 363 384	PFR6G-9	4377
82 00 492 426	PFR7Z-TG	5768
82 00 587 901	ILKAR7A7	91432
82 00 592 215	LZKAR7B	5942
82 00 662 185	LZKAR7A	6799
82 01 001 947	IFR7X8G	95820
83 04 504 277	ZFR5F	5165
89 33 003 862	BKR6ES	3783
96 26 575 480	BKR6EK	2288
SAAB	NGK → STOCK No.	
12620540	ILTR5D	5476
55564215	BKR7ESC-11	6313
SEAT - see VW GROUP		
SKODA - see VW GROUP		

SMART	NGK → STOCK No.	
000 3085 V005 0000 00	BKR6EKE	5649
A 003 159 92 03	BKR6EKE	5649
SPLITFIRE	NGK → STOCK No.	
TP006A	BP8EVX	2671
TP006A	BPR8EIX	6684
TP006B	BPR7EIX	4055
TP006C	BPR6EIX	6637
TP006D	BPR5EIX-11	6597
TP006E	BPR5EIX-11	6597
TP406B	BR9EIX	3981
TP406B	BR9EIX	3981
TP406C	BR8EIX	5044
TP406C	BR8EIX	5044
TP430B	CR9EIX	3521
TP430C	CR8EIX	4218
SUBARU	NGK → STOCK No.	
22401AA020	BP6ES	7811
22401AA090	BP7ES	2412
22401AA120	BPR6ES-11	4824
22401AA220	BPR6ES	7822
22401AA230	BPR7E	1142
22401AA310	BKR6E-11	2756
22401AA370	PFR6B-11	4014
22401AA400	PFR6B	3500
22401AA480	BPR5ES-11	4424
22401AA510	BKR6EIX	6418
22401AA670	SILFR6A6	8659
22401AA830	ILKAR8H6	96024
22401KA080	BKR6E	6962
22401KA100	BCPR6E	1269
22401KA210	BKR5E-11	6953
320540800	B6ES	7310
320541110	B7ES	1111
320541120	BR7EIX	6664
320545700	BR6ES	4922
382420800	B5ES	6410
420543200	BP5ES	6511
490010003	BPR5EIX-11	6597
490010013	BPR6EIX	6637
490010023	BPR7EIX	4055
490010033	BPR5ES	7422
490010043	BP5EY	7327
490010053	BP6EY	7727
820541810	B6HS	4510
820546010	B8HS	5510
820548020	B8HVX	2634
820548020	BR8HIX	7001
820549310	B7HS	5110
820549320	BR7HIX	7067
882417800	B5HS	4210
890573400	B6S	3510
SUZUKI	NGK → STOCK No.	
04982-00584	CR8EIB-10	4948
04982-00597	CR8EIA-10	4708
04982-02EA1	ZMR7AP	6914
04982-00036	BP4HS	3611
04982-00066	B9ES	2611
04982-00082	B7HS	5110
04982-00084	BP6HS	4511
04982-00088	BR6HS	3922
04982-00089	B7ES	1111
04982-00091	B8ES	2411
04982-00095	B6HS	4510
04982-00098	BR9ES	5722
04982-00102	BR8HS	4322
04982-00105	BP7HS	5111
04982-00115	BR9EIX	3981
04982-00116	BR7HS	4122
04982-00117	BR7ES	5122
04982-00118	BP6ES	7811
04982-00121	BR8ES	5422

SUZUKI	NGK → STOCK No.	
04982-00124	BP5HS	4111
04982-00127	BR9ES	5722
04982-00131	BP5ES	6511
04982-00136	BPR4HS	7823
04982-00139	BP7ES	2412
04982-00141	BPR6HS	7022
04982-00143	BR5HS	3722
04982-00144	D8EA	2120
04982-00147	BPR5HS	6222
04982-00149	DR8ES-L	2923
04982-00155	BPR5ES	7422
04982-00157	BR8HS	4322
04982-00167-000	BPR5EY	2828
04982-00167-001	BPR5ES	7422
04982-00175	BP8ES	2912
04982-00177	BP6ES	7811
04982-00181	BR10EIX	6801
04982-00182	D7EA	7912
04982-00184	D9EA	2420
04982-00198	B8HS	5510
04982-00205	BPR4HS	7823
04982-00208	B8EGV	5627
04982-00209	B9EGV	5827
04982-00210	B10EGV	5927
04982-00220	DR7ES	3123
04982-00221	DR8ES	5423
04982-00229	BPR6ES	7822
04982-00230	BR8HS	4322
04982-00237	B8HS	5510
04982-00239	BPR8ES	3923
04982-00244	BPR7HS	6422
04982-00255	BPR7HS	6422
04982-00258	BPMR6A	6726
04982-00259	BP6HS	4511
04982-00261	BPMR4A	6028
04982-00264	BP6HS-10	6326
04982-00269	B7HS-10	2129
04982-00277	BR7HS-10	1098
04982-00278	B8HS-10	5126
04982-00279	B8HS-10	5126
04982-00280	BR8HS-10	1134
04982-00285	BPR6ES-11	4824
04982-00290	BP4HS	3611
04982-00299	BPR6ES	7822
04982-00299-000	BPR6ES	7822
04982-00316	BPR5HS	6222
04982-00321	C8HSA	6821
04982-00327	BR6HS-10	1090
04982-00330	DPR9EA-9	5329
04982-00332	BR8EA-9	4929
04982-00334	DPR8EA-9	4929
04982-00338	B6HS-10	1052
04982-00340	CR6HS	7023
04982-00341	BR6HS-10	1090
04982-00348	BR8ES	5422
04982-00349	BR9ES	5722
04982-00351	B9ES	2611
04982-00354	DPR7EA-9	5129
04982-00358	BR4HS	3322
04982-00359	BPR5HS	6222
04982-00360	BR10ES	4832
04982-00367	BPR4HS	7823
04982-00370	BR8HS-10	1134
04982-00375	B8HS-10	5126
04982-00385	BP7ES	2412
04982-00389	JR9B	3188
04982-00391	JR10B	1299
04982-00397	JR9C	6193
04982-00398	DR7EA	7839
04982-00399	DR8EA	7162
04982-00400	DR9EA	3437
04982-00406	CR6HSA	2983
04982-00408	CR7HSA	4549
04982-00409-001	BPR6ES	7822

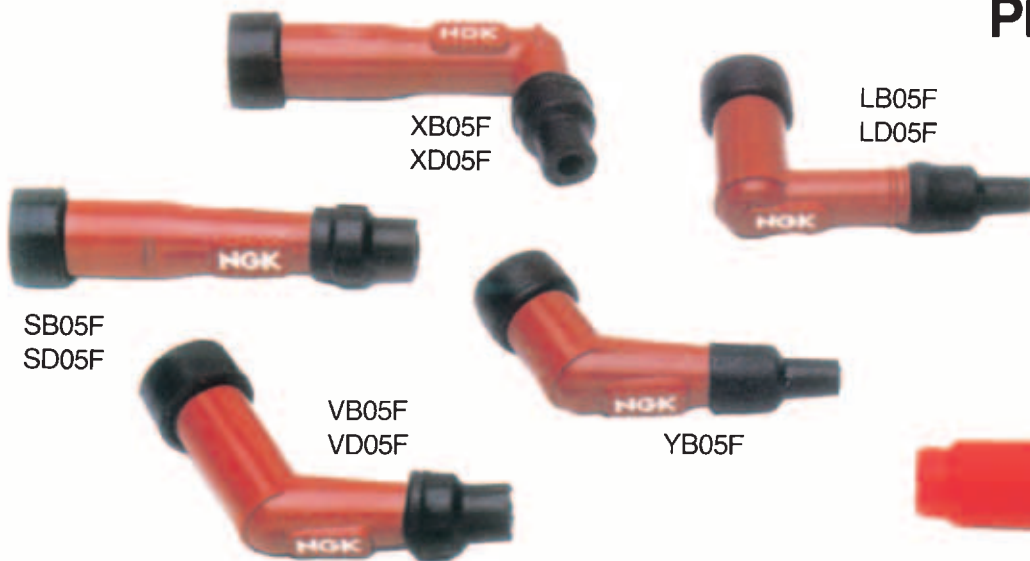
SUZUKI	NGK → STOCK No.	
04982-00410	CR9EK	4548
04982-00412	CR8EK	3478
04982-00414	CR7EK	7546
04982-00426	BK6E	3536
04982-00427	BKR6E	6962
04982-00429-000	BKR6E	6962
04982-00429-001	BKR6E	6962
04982-00432	BPR5E	7075
04982-00433	BPR5EY-11	3028
04982-00446	DCPR6E	3481
04982-00448	DCPR7E	3932
04982-00450	DCPR8E	4179
04982-00456	CR8E	1275
04982-00458	CR9E	6263
04982-00460	CR10E	6264
04982-00462	CR10EK	2360
04982-00463	CR10EK	2360
04982-00464	BR8HCS-10	1157
04982-00467	BR9HS-10	4551
04982-00470	BR8ECM	3035
04982-00472	BR9ECM	3252
04982-00474	BR10ECM	4234
04982-00477	BKR5E	7938
04982-00479	DCPR7EVX	1179
04982-00479	DCPR7EIX	6046
04982-00485	CR8HSA	2086
04982-00486	BR8HCS-10	1157
04982-00487	BPR6ES	7822
04982-00491	JR9B	3188
04982-00494	BKR6E-11	2756
04982-00495	BPR7ES	2023
04982-00499	R4118S-8	3236
04982-00500	R4118S-9	3245
04982-00504	BPR5EY	2828
04982-00509	R6918B-8	4492
04982-00511	R6918B-7	6259
04982-00513	R0045J-10	7400
04982-00514	R0045J-11	9444
04982-00516	CR7E	4578
04982-00519	BR9EYA	7548
04982-00521	PGR5A	3987
04982-00522	BPR7HS-10	1092
04982-00523	BPR8HS	3725
04982-00528	CR6E	6965
04982-00530	BPR6HS	7022
04982-00531	BP6HS	4511
04982-00532	B7HS-10	2129
04982-00533	BR7HS-10	1098
04982-00534	B6HS-10	1052
04982-00535	BR6HS-10	1090
04982-00537	DCPR9EVX	6436
04982-00537	DCPR9EIX	2316
04982-00547	IFR5E11	7994
04982-00548	IFR6E11	6741
04982-00549	IFR5J11	7418
04982-00550	IFR6J11	7658
04982-00556	CR8EIA-9	4286
04982-00558	CR9EIA-9	6289
04982-00561	BR8EG	3130
04982-00564	BR9EYA	7548
04982-00597	CR8EIA-10	4708
04982-00600	DIMR8A10	5066
04982-00603-000	IKR6G11	7980
04982-69001	BPR6HS	7022
TORCH - see CHINESE BRANDS		
TOYOTA	NGK → STOCK No.	
90919-01184	BKR6EYA-11	4073
90919-01210	IFR6T11	4589
90919-01215	IFR5T-8N	3508
90919-01221	HB6AIX-11P	5703
90919-01226	HB6BIX-11P	5705
90919-01230	HB6BIX-11P	5705

<b>TOYOTA</b>	<b>NGK → STOCK No.</b>	<b>UNIPART</b>	<b>NGK → STOCK No.</b>	<b>UNIPART</b>	<b>NGK → STOCK No.</b>	<b>VOLVO</b>	<b>NGK → STOCK No.</b>				
90919-01233	ILFR5T11	96779	GSP2056	BP6HS	4511	GSP4663	BPR6EFS	3623	30777349	TR6AP-13	5809
90919-01234	ILFR5T11	96779	GSP2059	BKR6EQUP	3199	GSP531	BP5HS	4111	31216674	ILFR6K8	94040
90919-01235	LF6C-11	5788	GSP2064	BCPR6ET	2197	GSP540	B5HS	4210	31330450	ILZTR6A8G	94769
90919-01249	DFH6B-11A	6858	GSP2065	BP5HS	4111	GSP541	BP6HS	4511	35 17 980	BKR6E	6962
90919-01253	ILKAR7B11	4912	GSP2066	BKR6EKC	2848	GSP550	B6HS	4510	8658474	PLFR6A-11	7654
90919-W1001	LF6C-11	5788	GSP2070	BKR6EKC	2848	GSP560	B7HS	5110	8694749	ITR6F13	4477
			GSP2071	ZFR4F-11	4043	GSP571	BP7HS	5111	9146775	BKR6ETUC	3384
			GSP2072	ZFR6F-11	4291	GSP634	BCPR5ES	6130	9202064	BKR6ETUC	3384
			GSP2073	BKUR5ET	2789	GSP6356	BP6HS	4511			
<b>TRIUMPH</b>	<b>NGK → STOCK No.</b>		GSP2074	BPR6EIX	6637	GSP6382	BP5ES	6511			
1290023	CR9EK	4548	GSP2075	BP7HS	5111	GSP6452	BPR7ES	2023	<b>VW GROUP</b>	<b>NGK → STOCK No.</b>	
1290024	DPR8EA-9	4929	GSP2081	BPR6ES-11	4824	GSP6462	BPR6ES	7822	03F 905 600A	IZFR6P7	97153
1290181	CR8EK	3478	GSP2082	BPR7EIX	4055	GSP6468	BPR6ES-11	4824	06H 905 601A	PF7S8EG	1675
1296999	DPR6EA-9	5531	GSP2085	BCPR7ES-11	1095	GSP6472	BPR5ES	7422	101 000 000AB	BP6ESZ	7639
1290180	DPR7EA-9	5129	GSP2086	B8EFS	1049	GSP664	BKR6E	6962	101 000 001AB	BP6ET	1263
T1290023	CR9EK	4548	GSP2087	BKUR6ET-10	2397	GSP665	BCP6ES	4930	101 000 001AD	BP6ET	1263
T1290024	DPR8EA-9	4929	GSP2088	BCPR6ET	2197	GSP6651	PTR5A-10	5055	101 000 001AE	BP5ET	2287
T1290181	CR8EK	3478	GSP2090	BR7ES	5122	GSP6652	BCPR7ES	3330	101 000 002AB	BP6ESZ	7639
T1296999	DPR6EA-9	5531	GSP2094	BP5EFS	3712	GSP6658	BCPR7ES-11	1095	101 000 003AA	BCP7ET	2078
			GSP2098	BP6ES	7811	GSP6662	BKR6E	6962	101 000 004AA	BCP7ET	2078
<b>UNIPART</b>	<b>NGK → STOCK No.</b>		GSP2099	BP5ES	6511	GSP6663	BPR6EFS	3623	101 000 005AA	BP6ET	1263
GSP130	B5ES	6410	GSP2100	BCP6ES	4930	GSP6668	BCPR6ES-11	7121	101 000 005AB	BP6ET	1263
GSP131	BP5ES	6511	GSP2101	BP6EFS	3812	GSP684	BCPR7ES	3330	101 000 005AD	BP5ET-10	5156
GSP141	BP5ES	6511	GSP2102	BP6EFS	3812	GSP685	BCP7ES	5030	101 000 005AE	BP5ET	2287
GSP151	BP6ES	7811	GSP2103	BCP6ES	4930	GSP761	BP6FS	3512	101 000 005AF	BP5ET	2287
GSP160	B6ES	7310	GSP2106	TR5A-10	0005	GSP881	BPR6FS	2623	101 000 006AB	BP6ESZ	7639
GSP163	BP6ES	7811	GSP2108	DCPR8E-N	5692	GSP9652	PF6N-11	3546	101 000 006AC	BP6ESZ	7639
GSP171	BP6ES	7811	GSP2110	BKR6E	6962	GSP981	AP6FS	2710	101 000 007AA	BP6ET	1263
GSP181	BP7ES	2412	GSP2111	BPR6ES	7822				101 000 007AB	BP6ET	1263
GSP191	BP8ES	2912	GSP2112	BKR6E	6962	<b>VAUXHALL/OPEL</b>	<b>NGK → STOCK No.</b>		101 000 007AC	BP5ET-10	5156
GSP2001	BKR6E	6962	GSP2113	ZFR6F-11	4291	12 14 000	BKR5EK	7956	101 000 007AD	BP6ET	1263
GSP2002	BPR6ES	7822	GSP2114	BCPR6ES-11	7121	12 14 066	IFR7X7G	91039	101 000 016AA	PF7B	4853
GSP2003	BKR6E	6962	GSP2115	BPR6EFS	3623	12 620 540	ILTR5D	5476	101 000 016AB	PFR6Q	6458
GSP2004	ZFR6F-11	4291	GSP2116	BKR6E	6962	55 564 748	DILFR7B10G	97218	101 000 017AA	BCP7ET	2078
GSP2005	BCPR6ES-11	7121	GSP2117	BPR5ES	7422	55 564 763	ZFR6BP-G	1748	101 000 026AB	BUR6ET	3172
GSP2006	BPR6EFS	3623	GSP2118	BPR6ES	7822	55 565 219	ZFR6V-G	8894	101 000 027AA	BP6ET	1263
GSP2007	BKR6E	6962	GSP2119	BPR6ES-11	4824	55 576 026	IFR7X7G	91039	101 000 027AB	BP5ET	2287
GSP2008	BPR5ES	7422	GSP2120	BPR6EFS	3623	90 239 568	BPR6ES	7822	101 000 027AC	BP5ET-10	5156
GSP2009	BPR6ES	7822	GSP2121	BP5EFS	3712	90 239 569	BPR6HS	7022	101 000 028AA	BCP7ET	2078
GSP2010	BP6ET	1263	GSP2122	PF6N-11	3546	90 336 461	BKR6ES	3783	101 000 029AB	BUR6EFSZ	6837
GSP2013	ZGR5A	5839	GSP2136	BKR6EQUP	3199	90 338 179	BCPR6ET	2197	101 000 033AA	BKUR6ET-10	2397
GSP2015	BKR6E	6962	GSP2137	LF6B	6677	90 355 136	BPR6ES	7822	101 000 033AB	BKUR7ET	7873
GSP2017	BKR5EK	7956	GSP2138	LF6B	6677	90 356 323	BPR5ES	7422	101 000 033AC	BKUR5ET	2789
GSP2018	BKR5EK	7956	GSP2139	ZFR6S-Q	6449	90 357 729	BKR6EK	2288	101 000 033AF	BKUR6ET	6437
GSP2019	BPR6ES-11	4824	GSP2151	IZKR7B	7563	90 357 780	BKR6ES	3783	101 000 033AG	BKUR5ET-10	7553
GSP2020	BPR5ES	7422	GSP2212	PF6N-11	3546	90 423 215	BKR6ES	3783	101 000 034AA	BP6ESZ	7639
GSP2021	AP6FS	2710	GSP244	BPR5ES	7422	90 512 989	BKR5EK	7956	101 000 035AB	BKR5EQU	3964
GSP2022	BKR5E	7938	GSP263	BPR6ES	7822	91 132 086	BKR5EQU	1567	101 000 035AH	BKR5EKUP	2890
GSP2023	BCPR7ES	3330	GSP264	BPR5ES	7422	91 951 09	BKR5EK	7956	101 000 035HJ	BKR6EKUB	3584
GSP2024	BP6ET	1263	GSP281	BPR7ES	2023	91 958 68	BKR5EQU	1567	101 000 036AA	BUR6ET	3172
GSP2025	ZFR5F	5165	GSP30	B6S	3510	91 990 38	LTR6B-10T	5948	101 000 036AB	BUR5ET	3377
GSP2026	APR6FS	2922	GSP331	BP5EFS	3712	93 161 199	PFR6G-9	4377	101 000 036AC	BUR5ET-10	7264
GSP2027	BPR6EFS	3623	GSP351	BP5EFS	3712	93 176 801	ZFR5F	5165	101 000 038AA	BPR5EQU	5685
GSP2028	BKR6EKC	2848	GSP361	BP6EFS	3812				101 000 038AB	BPR5EQU	5685
GSP2029	BPR6HS	7022	GSP381	BP7EFS	3526	<b>VESPA</b>	<b>NGK → STOCK No.</b>		101 000 039AA	BPR5EQU	5685
GSP2030	BUR6ET	3172	GSP4154	AP6FS	2710	137778	B6HS	4510	101 000 039AB	BPR5EQU	5685
GSP2031	BP5ET	2287	GSP4266	B5HS	4210	137917	B6ES	7310	101 000 040AC	BUR5ET	3377
GSP2032	B5HS	4210	GSP4352	BP6ES	7811				101 000 040AD	BUR6ET	3172
GSP2033	APR5FS	3122	GSP4356	BP6HS	4511	<b>VOLVO</b>	<b>NGK → STOCK No.</b>		101 000 040AE	BUR5ET-10	7264
GSP2034	BPR6ES	7822	GSP4362	BP6ES	7811	13 06 604	BPR6ES	7822	101 000 041AC	BKUR6ET-10	2397
GSP2035	BCP5ES	7496	GSP4366	BP6HS	4511	13 06 605	BPR6ES	7822	101 000 041AD	BKUR6ET	6437
GSP2036	BPR7ES	2023	GSP4372	BP5ES	6511	13 57 828	BPR7HS	6422	101 000 041AE	BKUR7ET	7873
GSP2037	BCPR6ES-11	7121	GSP4376	BP5HS	4111	13 67 528	BPR6ES	7822	101 000 047AC	BKR6EIX	6418
GSP2038	BUR5ET	3377	GSP4382	BP5ES	6511	13 67 529	BPR6ES	7822	101 000 049AD	BKR6ETA-10	7998
GSP2039	BPR5ES-11	4424	GSP4452	BPR7ES	2023	271 603	BKR6E	6962	101 000 050AA	BUR5ET	3377
GSP2040	BP5EFS	3712	GSP4462	BPR6ES	7822	271 727	BKR6E	6962	101 000 050AB	BUR5ET-10	7264
GSP2041	BKR6EQUP	3199	GSP4472	BPR5ES	7422	217 207	BKR6EKUB	3584	101 000 050AC	BUR6ET	3172
GSP2044	PFR7B	4853	GSP4552	BCP7ES	5030	272 313	PFR6B	3500	101 000 051AA	BKUR6ET-10	2397
GSP2045	BKR5E-11	6953	GSP4562	BCP6ES	4930	30637308	PFR6B	3500	101 000 051AB	BKUR7ET	7873
GSP2046	B6ES	7310	GSP4563	BP6EFS	3812	30637385	LF6D	4704	101 000 052AA	BUR6EFSZ	6837
GSP2048	BKUR7ET	7873	GSP4573	BP5EFS	3712	30650379	PLFR6A-11	7654	101 000 060AA	BKUR5ET-10	7553
GSP2049	B6HS	4510	GSP461	BPR6EFS	3623	30731425	TR5B-13	4559	101 000 062AB	PZFR5D-11	7968
GSP2050	B7HS	5110	GSP4652	BCPR7ES	3330	30751468	ILFR6B	6481	101 000 063AA	PFR6Q	6458
GSP2051	BR8ES	5422	GSP4662	BKR6E	6962	30758130	ILTR6G8G	96621	101 000 063AC	PFR7Q	7963
GSP2053	BKR6EK	2288									
GSP2055	PFR6B-11	4014									



# SPARK PLUG COVERS

## STANDARD PLUG COVERS



## EPDM RUBBER PLUG COVERS



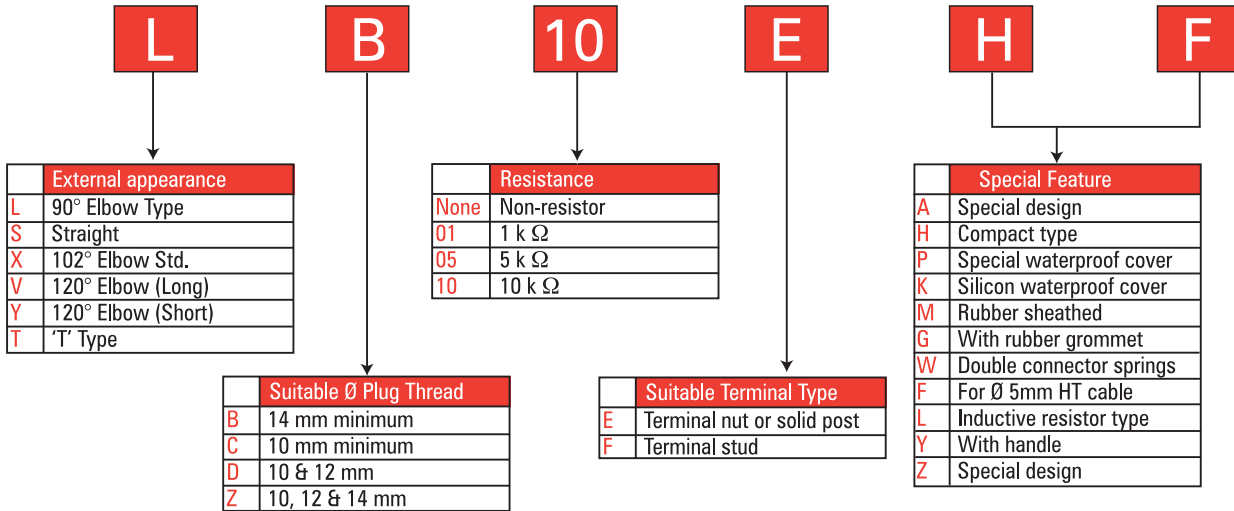
The NGK range of resistor covers are designed to give perfect noise suppression across all frequencies whilst engine performance is not adversely affected whatsoever.

Featuring a resistor element pressed in between the plug terminal and the high tension wire connection, the construction is extremely durable, the resistor element is long enough to prevent interior flashover, and steady resistance is maintained. Superlative ceramic materials are incorporated that resist deterioration and have small resistance variation under over-load, whilst the plug connector is made of sturdy phenolic resin, practically oblivious to tremendous heat and high tension, and very rugged rubber material. The heat press insertion makes the construction all the more tough and vibration-resistant. Special rubber liners on both ends prevent moisture from causing electrical leakage.

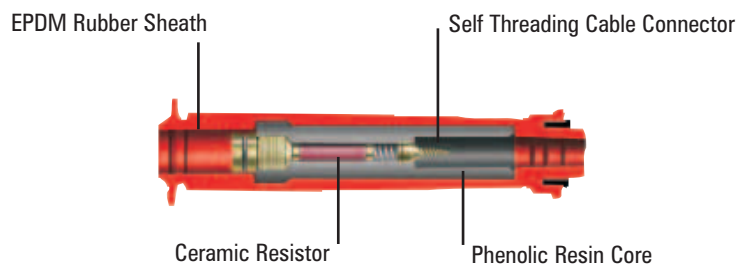
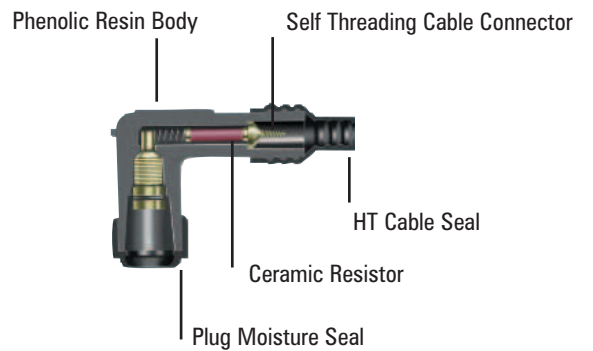
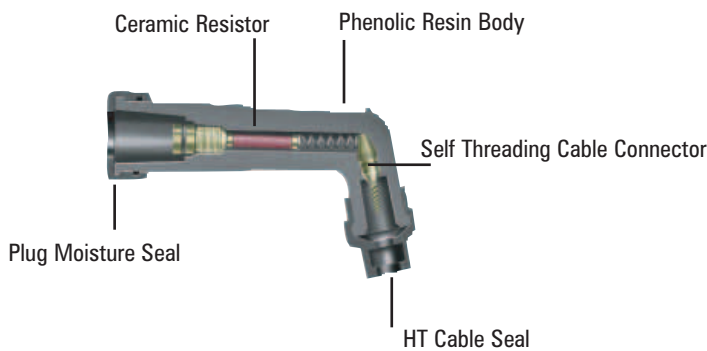
All motorcycle manufacturers now comply with current legislation which demands a standard of noise suppression on every vehicle. This is achieved usually by fitting NGK resistor covers though in many cases a combination of NGK resistor covers and NGK resistor spark plugs (R type) is necessary to satisfy the ministry tests. It is emphasized that despite the use of both resistor covers and spark plugs in such engines, due to the unique and superior construction of NGK products there is no loss of performance or shortening of service life.

LB05EMH and SDO5FM being of tough EPDM rubber construction are intended for competition/trial applications.

# COVER SYMBOLS EXPLANATION CHART



## NGK RESISTOR PLUG COVERS



See pages 103 to 105 for full range of plug covers

VW GROUP	NGK → STOCK No.
101 000 065AA	BKR6ETA-10 7998
101 000 068AA	ZFR6S-Q 6449
101 905 600	PZFR5J-11 7743
101 905 600A	PZFR6J-11 3586
101 905 600B	PZFR6Q-11 5965
101 905 601	PZFR5D-11 7968
101 905 601B	ZFR5P-G 6893
101 905 601F	ZFR6T-11G 5960
101 905 606A	IZKR7B 7563
101 905 607	BKR6EKUE 9892
101 905 611	PFR6U-11G 5874
101 905 611A	PFR6X-11 5757
101 905 611G	PFR8S8EG 94460
101 905 616	BKR6EQUA 6872
101 905 617	ZFR5P-G 6893
101 905 617C	ZFR6T-11G 5960
101 905 618A	ZFR6T-11G 5960
101 905 620	PZFR5N-11T 7742
101 905 621	PFR7W-TG 5592
101 905 621B	PFR6W-TG 5547
101 905 622	ILZKR7A 1961
101 905 622A	ILZKR8A 94290
101 905 622B	ILZKR8A 94290
101 905 626	PZFR6R 5758
101 905 631C	PFR6Q 6458
101 905 631G	PFR8S8EG 94460
101 905 631H	PFR7S8EG 1675
400 905 619	PFR7G 4364
WOLF	NGK → STOCK No.
1015 306	AB6 2910
1018 301	BM6A 5921
1022 304	AB6 2910
2000 305	BMR6A 7421
2016 301	B7HS 5110
2050 324	BMR6A 7421
2085 300	BR6ES 4922
2090 306	BPR6ES 7822
YAMAHA	NGK → STOCK No.
14B-R465B-70	R0465B-10 7506
90793 20029	B95EGV 2145
90793 20030	B105EGV 2171
90793 20032	B10EG 3630
90890 78082	B10EGV 5927
94701 00039	B6HS 4510
94701 00040	B7HS 5110
94701 00041	B8HS 5510
94701 00042	B9HS 5810
94701 00043	B6ES 7310
94701 00044	B7ES 1111
94701 00045	B8ES 2411
94701 00046	B9ES 2611
94701 00050	BP7HS 5111
94701 00061	BR8EIX 5044
94701 00063	BR9EIX 3981
94701 00069	B5HS 4210
94701 00078	B5ES 6410
94701 00108	BP6HS 4511
94701 00110	BR7HS 4122
94701 00111	BR6ES 4922
94701 00112	BR7ES 5122
94701 00113	BR8EIX 5044
94701 00116	BP6ES 7811
94701 00117	BP7ES 2412
94701 00118	BP8ES 2912
94701 00148	B8HVX 2634
94701 00148	BR8HIX 7001
94701 00157	D8EA 2120
94701 00159	BP4HS 3611
94701 00160	B8HS-10 5126
94701 00168	BP5HS 4111
94701 00188	BR9ES 5722
94701 00189	D7EA 7912

YAMAHA	NGK → STOCK No.
94701 00193	BR9EIX 3981
94701 00194	BPR5HS 6222
94701 00195	BR8HS 4322
94701 00198	BPR6HS 7022
94701 00203	DR8ES-L 2923
94701 00204	BR8ES 5422
94701 00208	DR7ES 3123
94701 00217	B7HS-10 2129
94701 00218	BPR7ES 2023
94701 00219	BPR8ES 3923
94701 00227	BPR7HS 6422
94701 00232	BP6HS-10 6326
94701 00234	BPR6ES 7822
94701 00237	BP8HS-10 3823
94701 00241	DPR8EA-9 4929
94701 00248	BR6HS 3922
94701 00250	CR7HS 7223
94701 00251	BR9HS 4522
94701 00254	C7HSA 4629
94701 00256	C6HSA 3228
94701 00258	BPR4HS 7823
94701 00262	DPR7EA-9 5129
94701 00264	BP7HS-10 7829
94701 00266	D9EA 2420
94701 00268	BP8HS 2630
94701 00273	B6HS-10 1052
94701 00274	BR6HS-10 1090
94701 00280	BPR8HS 3725
94701 00282	CR6HS 7023
94701 00284	BPR6EIX 6637
94701 00285	BPR6EIX 6637
94701 00287	DR8ES 5423
94701 00292	BPR6HS-10 2633
94701 00300	CR5HS 2874
94701 00309	BR9HS-10 4551
94701 00311	BR5ES 4722
94701 00318	CR9E 6263
94701 00328	BPR5ES 7422
94701 00330	CR8E 1275
94701 00332	R5184-105 3334
94701 00333	DR8EA 7162
94701 00340	DR9EA 3437
94701 00345	DR7EA 7839
94701 00353	CR7E 4578
94701 00361	DPR9EA-9 5329
94701 00365	BR6FS 4323
94701 00372	CR6HSA 2983
94701 00375	DPR6EA-9 5531
94701 00395	CR9EK 4548
94701 00403	CR9EK 4548
94701 00406	DPR5EA-9 2887
94701 00408	CR9EIA-9 6289
94702 00044	B7ES 1111
94702 00045	B8ES 2411
94702 00046	B9ES 2611
94702 00149	B7HS 5110
94702 00188	BR9ES 5722
94702 00193	BR9EIX 3981
94702 00195	BR8HS 4322
94702 00204	BR8ES 5422
94702 00211	BPMR6A 6726
94702 00247	BR8HS-10 1134
94702 00248	BR6HS 3922
94702 00249	BR5HS 3722
94702 00271	BR7HS-10 1098
94702 00272	BR7HS 4122
94702 00274	BR6HS-10 1090
94702 00309	BR9HS-10 4551
94702 00317	B9HS-10 3626
94702 00323	B8EG 3430
94702 00324	BR9EG 3230
94702 00325	B9EG 3530
94702 00326	BR8EG 3130
94702 00331	BPR4ES 7222

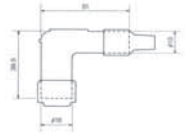
YAMAHA	NGK → STOCK No.
94702 00343	BR4ES 1097
94702 00348	BPR2ES 2264
94702 00349	BR7ES 5122
94702 00357	BR9ECM 3252
94702 00367	B10EG 3630
94702 00372	CR6HSB 6500
94702 00391	LF95A-11 6376
94702 00400	LF96A-11 3672
94702 00404	BKR7EJU 5881
94702 00405	BKR6EJU 6993
94702 00409	CR9EB 6955
94702 00419	CR4HSB 4695
94702-00429	LKR7E 1643
94703 00277	B9EGV 5827
94703 00420	CPR7EA-9 3901
YANMAR	NGK → STOCK No.
124190-78010	BPR4ES 7222
160110-78011	B6HS 4510
160232-78010	B4H 4110
160560-78010	BPMR4A 6028
160610-78010	BP4HS 3611
160690-78010	BP6ES 7811
160693-78010	BPR6ES 7822
160769-78010	BR4HS 3322
160793-78010	BPR5ES 7422
160810-78010	BPR4HS 7823
160998-78010	BPR6EY 6427
181630-78010	BUHW 2622
YHX - see CHINESE BRANDS	



# SPARK PLUG COVERS

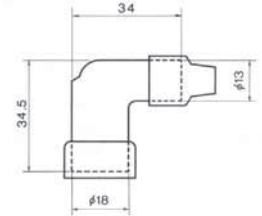
Part No.	Stock No.	Colour	Resistor	Ø Plug	Terminal Type
<b>LB05E</b>	8031	Black	5 kΩ	14mm	
<b>LB05E-R</b>	8898	Red	5 kΩ	14mm	
<b>LB05F</b>	8051	Black	5 kΩ	14mm	
<b>LB05F-R</b>	8854	Red	5 kΩ	14mm	
<b>LB10F-CS</b>	8961	Black	10 kΩ	14mm	

Description: 90° Elbow Type      Material: Phenolic Resin



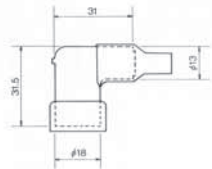
Part No.	Stock No.	Colour	Resistor	Ø Plug	Terminal Type
<b>LZFH</b>	8710	Black	None	10 - 14mm	

Description: 90° Non-resistor type      Material: Phenolic Resin



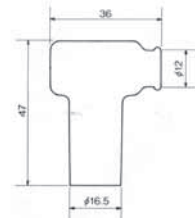
Part No.	Stock No.	Colour	Resistor	Ø Plug	Terminal Type
<b>LB05EH</b>	8334	Black	5 kΩ	14mm	
<b>LB05EH-R</b>	8688	Red	5 kΩ	14mm	
<b>LB10EHF</b>	8055	Black	10 kΩ	14mm	
<b>LB10EHF-R</b>	8058	Red	10 kΩ	14mm	

Description: 90° Elbow Type      Material: Phenolic Resin



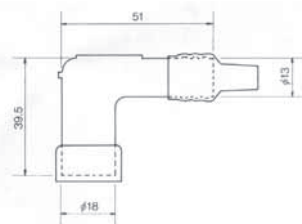
Part No.	Stock No.	Colour	Resistor	Ø Plug	Terminal Type
<b>LB05EMH</b>	8338	Black	5 kΩ	14mm	
<b>LB05EMH-R</b>	8160	Red	5 kΩ	14mm	

Description: 90° Rubber Sheathed      Material: EPDM Rubber



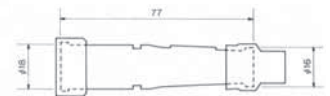
Part No.	Stock No.	Colour	Resistor	Ø Plug	Terminal Type
<b>LD05F</b>	8060	Black	5 kΩ	10 - 12mm	
<b>LD05F-R</b>	8231	Red	5 kΩ	10 - 12mm	

Description: 90° Elbow Type      Material: Phenolic Resin



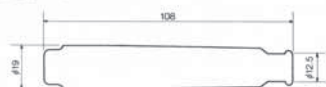
Part No.	Stock No.	Colour	Resistor	Ø Plug	Terminal Type
<b>SB05E</b>	8374	Black	5 kΩ	14mm	
<b>SB05EC</b>	8511	Red	5 kΩ	14mm	
<b>SB05F</b>	8080	Black	5 kΩ	14mm	
<b>SB05F-R</b>	8567	Red	5 kΩ	14mm	
<b>SD05F</b>	8022	Black	5 kΩ	10 - 12mm	
<b>SD05F-R</b>	8238	Red	5 kΩ	10 - 12mm	

Description: Straight Type      Material: Phenolic Resin



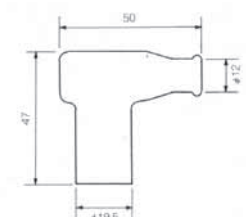
Part No.	Stock No.	Colour	Resistor	Ø Plug	Terminal Type
<b>SD05FM</b>	8392	Black	5 kΩ	10 - 12mm	
<b>SD05FM-R</b>	8673	Red	5 kΩ	10 - 12mm	

Description: Straight Rubber Sheathed      Material: EPDM Rubber



Part No.	Stock No.	Colour	Resistor	Ø Plug	Terminal Type
<b>TB05EMA</b>	8636	Black	5 kΩ	14mm	

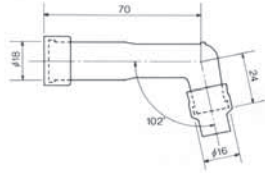
Description: 90° Rubber Sheathed      Material: Silicon Rubber



# SPARK PLUG COVERS

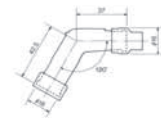
Part No.	Stock No.	Colour	Resistor	Ø Plug	Terminal Type
<b>XB05F</b>	8062	Black	5 kΩ	14mm	
<b>XB05F-R</b>	8592	Red	5 kΩ	14mm	
<b>XD05F</b>	8072	Black	5 kΩ	10 - 12mm	
<b>XD05F-R</b>	8768	Red	5 kΩ	10 - 12mm	

Description: 102° Elbow Type Material: Phenolic Resin



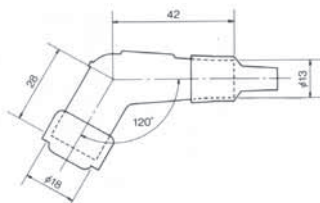
Part No.	Stock No.	Colour	Resistor	Ø Plug	Terminal Type
<b>VB05F</b>	8032	Black	5 kΩ	14mm	
<b>VB05F-R</b>	8759	Red	5 kΩ	14mm	
<b>VD05F</b>	8052	Black	5 kΩ	10 - 12mm	
<b>VD05F-R</b>	8376	Red	5 kΩ	10 - 12mm	
<b>VD5EG</b>	5817	Black	5 kΩ	10 - 12mm	

Description: 120° Elbow (Long) Type Material: Phenolic Resin



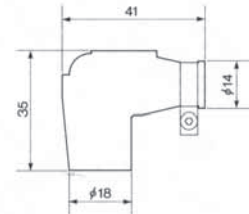
Part No.	Stock No.	Colour	Resistor	Ø Plug	Terminal Type
<b>YB05F</b>	8082	Black	5 kΩ	14mm	
<b>YB05F-R</b>	8162	Red	5 kΩ	14mm	

Description: 120° Elbow (Short) Type Material: Phenolic Resin



Part No.	Stock No.	Colour	Resistor	Ø Plug	Terminal Type
<b>LBER-R</b>	8307	Red	None	14mm	
<b>LBER-B</b>	8308	Blue	None	14mm	

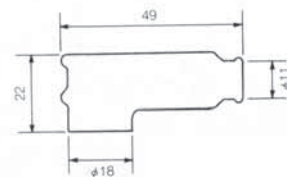
Description: 90° Rubber Sheathed Material: Silicon Rubber



Part No.	Stock No.	Colour	Resistor	Ø Plug	Terminal Type
<b>TRS1225-B</b>	8787	Blue	5 kΩ	14mm	<b>Special*</b>

Description: 90° Compact Type Material: Silicon Rubber

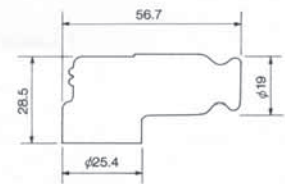
*\*Suitable for use with R6120-□ racing spark plugs only*  
*\*Suitable for use with R7282-□ racing spark plugs only*



Part No.	Stock No.	Colour	Resistor	Ø Plug	Terminal Type
<b>TRS1408F-B</b>	8871	Blue	5 kΩ	14mm	<b>Special*</b>

Description: 90° Compact Type Material: Silicon Rubber

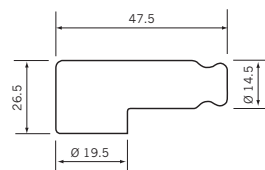
*\*Suitable for use with R5300A-□ racing spark plugs only*



Part No.	Stock No.	Colour	Resistor	Ø Plug	Terminal Type
<b>TRS1409-R</b>	8733	Red	None	14mm	

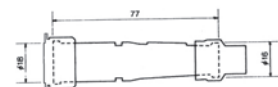
Description: 90° Compact Type Material: Silicon Rubber

*\*Suitable for use with R5540F-□ racing spark plugs*



Part No.	Stock No.	Colour	Resistor	Ø Plug	Terminal Type
<b>SD05EG</b>	5818	Black	5 kΩ	10 - 12mm	

Description: Straight Type Material: Phenolic Resin

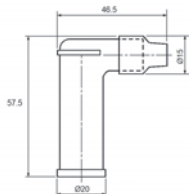


# SPARK PLUG COVERS

Part No.	Stock No.	Colour	Resistor	Ø Plug	Terminal Type
<b>L05EA</b>	6667	Black	5 kΩ	14mm	

Description: 90° Elbow Type      Material: Phenolic Resin

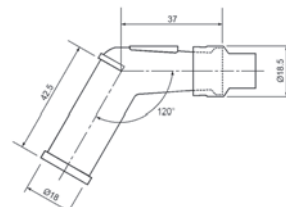
**Application: Piaggio (various 125, 150cc)**




Part No.	Stock No.	Colour	Resistor	Ø Plug	Terminal Type
<b>V05E</b>	6665	Black	5 kΩ	14mm	

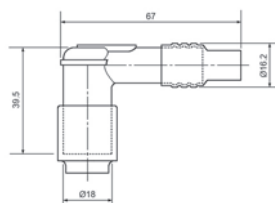
Description: 120° Elbow (Long) Type      Material: Phenolic Resin

**Application: Piaggio (various 125, 150cc)**



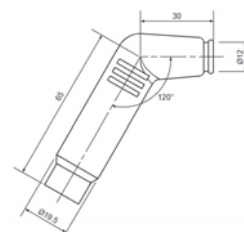
Part No.	Stock No.	Colour	Resistor	Ø Plug	Terminal Type
<b>LB05EPK</b>	8342	Black	5 kΩ	14mm	

Description: 90° Elbow Type      Material: Phenolic Resin



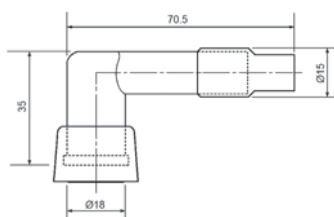
Part No.	Stock No.	Colour	Resistor	Ø Plug	Terminal Type
<b>VD05EM</b>	8422	Black	5 kΩ	10 - 12mm	

Description: 120° Elbow (Long) Type      Material: EPDM Rubber



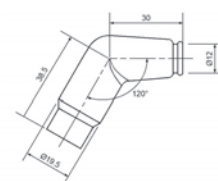
Part No.	Stock No.	Colour	Resistor	Ø Plug	Terminal Type
<b>LB05EZ</b>	8744	Black	5 kΩ	14mm	


Description: 90° Elbow Type      Material: Phenolic Resin



Part No.	Stock No.	Colour	Resistor	Ø Plug	Terminal Type
<b>VD05EMH</b>	7744	Black	5 kΩ	10 - 12mm	

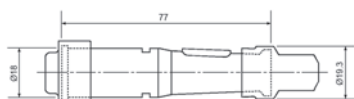
Description: 120° Elbow (Compact) Type      Material: EPDM Rubber



<b>VD05FMH</b>	8425	Black	5 kΩ	10 - 12mm	
----------------	------	-------	------	-----------	---

Part No.	Stock No.	Colour	Resistor	Ø Plug	Terminal Type
<b>SD05FP</b>	8325	Black	5 kΩ	10 - 12mm	

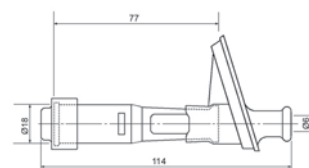
Description: Straight Type      Material: Phenolic Resin



Part No.	Stock No.	Colour	Resistor	Ø Plug	Terminal Type
<b>SD05FGA</b>	8683	Black	5 kΩ	10 - 12mm	

Description: Straight with Grommet      Material: Phenolic Resin

**Application: Honda VT600, XL600**



## PLUG COVER SUPERSESSIONS

Original Part No.	Stock Number	replaced by	Replacement Part No.	Stock Number
LB05E (red)	8898	→	LB05E-R	8898
LB05EH (red)	8688	→	LB05EH-R	8688
LB05EMH (red)	8160	→	LB05EMH-R	8160
LB05F (red)	8854	→	LB05F-R	8854
LB10EHF (red)	8058	→	LB10EHF-R	8058
LBER (blue)	8308	→	LBER-B	8308
LBER (red)	8307	→	LBER-R	8307
LD05F (red)	8231	→	LD05F-R	8231
SB05F (red)	8567	→	SB05F-R	8567
SD05F (red)	8238	→	SD05F-R	8238
SD05FM (red)	8673	→	SD05FM-R	8673
TRS1225	8787	→	TRS1225-B	8787
TRS1408F	8871	→	TRS1408F-B	8871
TRS1409	8733	→	TRS1409-R	8733
VB05F (red)	8759	→	VB05F-R	8759
VD05F (red)	8376	→	VD05F-R	8376
XB05F (red)	8592	→	XB05F-R	8592
XD05F (red)	8768	→	XD05F-R	8768
YB05F (red)	8162	→	YB05F-R	8162

To assist in identifying the red or blue coloured variant for popular plug covers a small change to the descriptive part number has been instigated. Implementation will be managed on a running change basis i.e. when current stocks are exhausted orders will be fulfilled by supplying the replacement item. There is no change to the Stock Number. Black covers which are considered standard are unaffected.

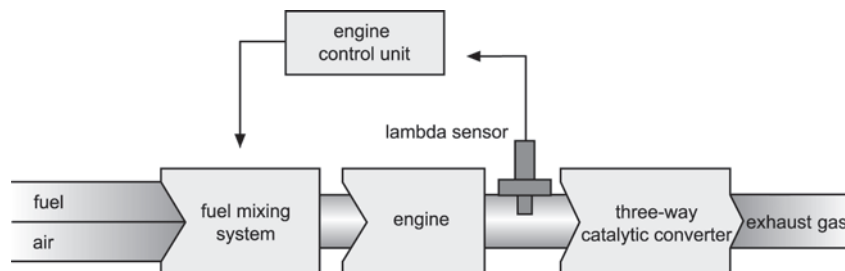
# NTK LAMBDA SENSORS FOR MOTORCYCLES

Reducing the pollution created by the internal combustion engine is a great concern for us all. To ensure that manufacturers build cleaner engines, the allowable limits for certain polluting gases are set by various government bodies. These limits are getting ever tighter and engine designers are under great pressure to find ways of meeting the targets. A vital part of the pollution control used on many engines is the exhaust gas oxygen sensor - more commonly known as the Lambda sensor. Commonplace on cars since the 1990's, Lambda sensors have been used on motorcycles since 1999 and are now fitted to an increasing number of machines over 125cc.

## WHAT DOES THE LAMBDA SENSOR DO?

The most popular method used by vehicle manufacturers to reduce engine emissions is the three-way catalyst (catalytic converter). This device has the ability to take the three main toxic gases produced by an engine which are carbon monoxide (CO), oxides of nitrogen (NO<sub>x</sub>) and hydrocarbons (HC) and convert them to considerably less harmful, non-poisonous gases: carbon dioxide (CO<sub>2</sub>), water (H<sub>2</sub>O) and nitrogen (N<sub>2</sub>).

To carry out this conversion of gases efficiently the catalyst must operate within a specified temperature range but also be provided with exhaust gases that are within certain very tight tolerances dependant predominantly on air/fuel ratio. The precise control required to operate this system is provided by the use of an exhaust gas oxygen (Lambda) sensor installed upstream of the catalyst. A Lambda sensor has the ability to precisely measure the residual oxygen present in exhaust gases. By sending a signal to the control unit it can initiate a change to keep the fuelling system operating within the very tight tolerances required. This is known as a closed-loop control system.

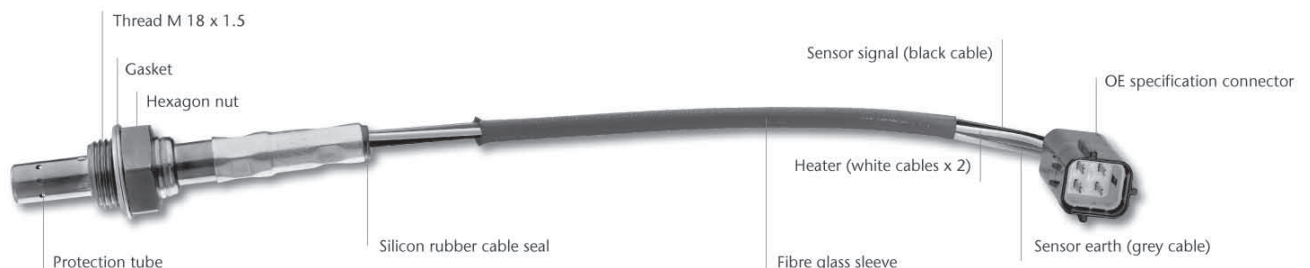


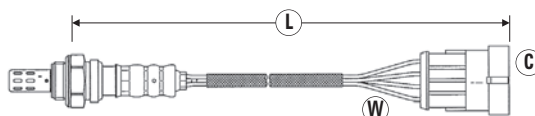
A worn or damaged sensor may affect the bike's general performance, increase fuel consumption, increase unwanted emissions and even damage the catalyst.

## TECHNICAL INFORMATION

### TORQUE FIGURES

Torque figures and thread form information:  
**M18 x 1.5mm - 35 ~ 45Nm**      **M12 x 1.5mm - 18 ~ 23Nm**

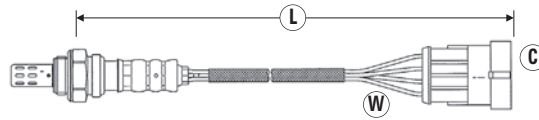




W = Number of Wires  
 C = Connector Type (see page 112)  
 L = Length of Sensor and Lead (mm)

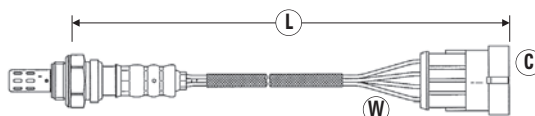
CC/MODEL	ENGINE	OE-NO.	DATE	W	C	L	NTK PART NO.	STOCK NO.
<b>APRILIA</b>								
<b>1000</b>								
RSV 1000 R	Rotax V2	A2 C 53025886	04.04→	4	31	590	OZA591-SZ1	1767
RSV 1000 R Factory	Rotax V2	A2 C 53025886	10.03→	4	31	590	OZA591-SZ1	1767
ETV 1000 Caponord		AP8127295	04→07	4	33	890	OZA222-SG2	0034

<b>BMW</b>								
<b>650</b>								
F650CS		11787 685 320	11.01→12.03	4	68	341	OZA630-BM3	0074
F650CS	K14/02	11787 685 320	01.04→12.05	4	68	341	OZA630-BM3	0074
F650GS/GS Dakar		11787 685 320	09.99→12.03	4	68	341	OZA630-BM3	0074
F650GS/GS Dakar	R13Mü	11787 685 320	12.03→11.07	4	68	341	OZA630-BM3	0074
G650 Xchallenge, Xcountry, Xmoto	K15	11787 674 452	07→	4	99	231	OZA630-BM1	0072
<b>800</b>								
F650GS/GS Dakar		11787 672 785	11/07→	4	99	521	OZA630-BM2	0073
F800GS	K72	11787 672 785	11/07→	4	99	521	OZA630-BM2	0073
F800R	K73	11787 672 785	05/09→	4	99	521	OZA630-BM2	0073
F800S/ST	K71	11787 672 785	12.05→	4	99	521	OZA630-BM2	0073
<b>850</b>								
R850R	R28	11787 671 756	07.02→08.05	4	69	922	OZA522-BM1	0053
R850RT	R22	11787 671 756	03.01→12.04	4	69	922	OZA522-BM1	0053
<b>1085</b>								
R1100S	259S	11787 671 756	01.03→12.03	4	69	922	OZA522-BM1	0053
<b>1150</b>								
R1150GS	R21	11787 671 756	11.01→12.03	4	69	922	OZA522-BM1	0053
R1150GS Adventure	R21	11787 671 756	11.01→09.06	4	69	922	OZA522-BM1	0053
R1150R	R28	11787 671 756	10.02→08.05	4	69	922	OZA522-BM1	0053
R1150RS/RT	R22	11787 671 756	03.01→12.04	4	69	922	OZA522-BM1	0053
<b>1170</b>								
HP2 Enduro	K25 HP	11787 674 452	12.05→	4	99	231	OZA630-BM1	0072
HP2 Megamoto	K25 HP	11787 674 452	07→	4	99	231	OZA630-BM1	0072
HP2 Sport	K29 HP	11787 672 785	08→	4	99	521	OZA630-BM2	0073
<b>1200</b>								
K1200GT	K41GT	11787 671 756	11.02→08.05	4	69	922	OZA522-BM1	0053
K1200GT	K44	11787 672 785	12.05→	4	99	521	OZA630-BM2	0073
K1200R	K43	11787 672 785	03.05→	4	99	521	OZA630-BM2	0073
K1200R Sport	K43	11787 672 785	11/07→	4	99	521	OZA630-BM2	0073
K1200S	K40	11787 672 785	06.04→	4	99	521	OZA630-BM2	0073
K1200LT	K589	11787 671 757	01.04→	4	69	554	OZA522-BM2	0054
K1200RS	K41	11787 671 756	01.01→12.04	4	69	922	OZA522-BM1	0053
R1200C/CL	259C/K30	11787 671 756	02.02→12.04	4	69	922	OZA522-BM1	0053
R1200GS	K25	11787 674 452	11.03→09	4	99	231	OZA630-BM1	0072
R1200RT	K26	11787 674 452	10.04→	4	99	231	OZA630-BM1	0072
R1200S	K29	11787 674 452	10.05→	4	99	231	OZA630-BM1	0072
R1200ST	K28	11787 674 452	12.04→	4	99	231	OZA630-BM1	0072
<b>1300</b>								
K1300GT	K44	11787 672 785	09→	4	99	521	OZA630-BM2	0073
K1300R	K43	11787 672 785	09→	4	99	521	OZA630-BM2	0073
K1300S	K40	11787 672 785	09→	4	99	521	OZA630-BM2	0073



**W** = Number of Wires  
**C** = Connector Type (see page 112)  
**L** = Length of Sensor and Lead (mm)

CC/MODEL	ENGINE	OE-NO.	DATE	W	C	L	NTK PART NO.	STOCK NO.
<b>DUCATI</b>								
<b>695</b>								
Monster 695		CA.0083 476	06.04→	4	40	880	OZA591-BB3	0066
<b>992</b>								
GT 1000		CA.0083 476	01.06→	4	40	880	OZA591-BB3	0066
Monster S2R 1000		CA.0083 476	01.06→	4	40	880	OZA591-BB3	0066
Paul Smart 1000		CA.0083 476	01.06→	4	40	880	OZA591-BB3	0066
ST3, ST3S		CA.0083 476	01.04→	4	40	880	OZA591-BB3	0066
Sport 1000		CA.0083 476	01.06→	4	40	880	OZA591-BB3	0066
<b>998</b>								
Monster S4RS		CA.0083 476	06.04→	4	40	880	OZA591-BB3	0066
<b>HONDA</b>								
<b>125</b>								
FES125 Pantheon		36531-KRJ-9010-M1	01.05→	4	96	280	OZA577-H6	0065
PS125i		36531-KTF-6410-M1	01.06→	4	96	210	OZA577-H15	0064
SH125i		36531-KTF-6410-M1	01.05→	4	96	210	OZA577-H15	0064
<b>150</b>								
FES150i Pantheon		36531-KRJ-9010-M1	01.05→	4	96	280	OZA577-H6	0065
<b>1000</b>								
CBF1000		36531-MFAA-D001-M1	01.06→	4	80	990	OZA577-H17	0007
<b>HUSQVARNA</b>								
<b>450</b>								
TE450		E 252 201	09.07→	4	97	410	OZA591-WB1	0010
SM450R		E 252 201	09.07→	4	97	410	OZA591-WB1	0010
<b>510</b>								
SM510R		E 252 201	09.07→	4	97	410	OZA591-WB1	0010
<b>610</b>								
SM610		E 252 201	10.06→	4	97	410	OZA591-WB1	0010
<b>HYOSUNG</b>								
<b>647</b>								
GT650i			01.08→	4	97	410	OZA591-WB1	0010
GV650i			01.08→	4	97	410	OZA591-WB1	0010
<b>KTM</b>								
<b>999</b>								
990 Adventure / S		1614 833 0000	01.06→	4	97	500	OZA591-VB2	0009
990 Superduke		1614 833 0000	01.06→	4	97	500	OZA591-VB2	0009
<b>KYMCO</b>								
<b>200</b>								
Yager 200i		3160-0361	06.06→	4	31	590	OZA591-YB1	0011
<b>250</b>								
Venox 250 Afi		3160-0361	06.06→	4	31	590	OZA591-YB1	0011
Xciting 250i		3160-0361	06.06→	4	31	590	OZA591-YB1	0011



(W) = Number of Wires  
 (C) = Connector Type (see page 112)  
 (L) = Length of Sensor and Lead (mm)

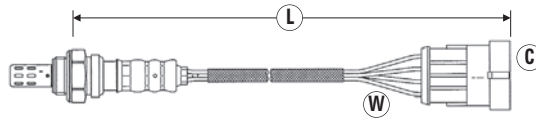
CC/MODEL	ENGINE	OE-NO.	DATE	(W)	(C)	(L)	NTK PART NO.	STOCK NO.
<b>MOTO GUZZI</b>								
<b>750</b>								
Breva V750 i.e.		CA.0083477.A	01.03→	4	40	310	OZA591-BB2	1710
Nevada V750 i.e.		CA.0083477.A	01.06→	4	40	310	OZA591-BB2	1710
<b>877</b>								
Breva V850 i.e.		CA.0083477.A	01.06→	4	40	310	OZA591-BB2	1710
Griso V850 i.e.		CA.0083477.A	01.06→	4	40	310	OZA591-BB2	1710
Norge V850 i.e.		CA.0083477.A	01.06→	4	40	310	OZA591-BB2	1710
<b>1100</b>								
Breva V 1100		CA.0019 265	03.04→12.05	4	40	310	OZA341-BB1	0036
Breva V 1100 i.e.		CA.0083477.A	01.06→	4	40	310	OZA591-BB2	1710
California		CA.0019 265	03.04→12.05	4	40	310	OZA341-BB1	0036
California		CA.0083477.A	01.06→	4	40	310	OZA591-BB2	1710
Griso V 1100 i.e.		CA.0083477.A	01.06→	4	40	310	OZA591-BB2	1710
V11 Models		CA.0019 265	03.04→12.05	4	40	310	OZA341-BB1	0036
<b>1150</b>								
Norge 1200		CA.0083477.A	01.06→	4	40	310	OZA591-BB2	1710
Sport V 1200		CA.0083477.A	01.06→	4	40	310	OZA591-BB2	1710
Stelvio 1200 4V		CA.0083477.A	01.09→	4	40	310	OZA591-BB2	1710

<b>MOTO MORINI</b>								
<b>1187</b>								
9½		CA.0083477.A	01.06→	4	40	310	OZA591-BB2	1710
Corsaro		CA.0083477.A	01.06→	4	40	310	OZA591-BB2	1710

<b>MV AGUSTA</b>								
<b>910</b>								
F4 Brutale 910		CA.0083477.A	10.06→12.08	4	40	310	OZA591-BB2	1710
<b>989</b>								
Brutale 989		CA.0083477.A	01.09→	4	40	310	OZA591-BB2	1710
<b>998</b>								
F4 1000R		CA.0083477.A	10.06→12.08	4	40	310	OZA591-BB2	1710
<b>1078</b>								
Brutale 1078 RR		CA.0083477.A	01.09→	4	40	310	OZA591-BB2	1710
F4 1000		CA.0083477.A	07.07→12.08	4	40	310	OZA591-BB2	1710
F4 1078R		CA.0083477.A	01.09→	4	40	310	OZA591-BB2	1710

<b>SUZUKI</b>								
<b>600</b>								
GSR600		18213-01H00	01.07→12.10	4	80	690	OZA448-J4	0003
GSX-R600		18213-01H00	03.06→12.07	4	80	690	OZA448-J4	0003
<b>750</b>								
GSX-R750		18213-01H00	03.06→12.07	4	80	690	OZA448-J4	0003
<b>1800</b>								
VZR1800 K6 M1800R Intruder		18213-48G00	04.06→	4	80	370	OZA448-J5	0004

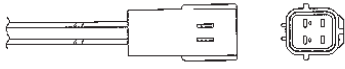
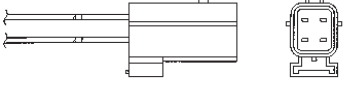
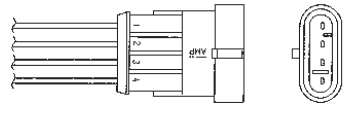


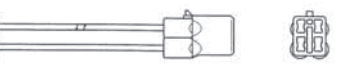


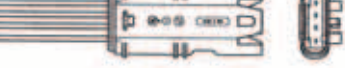




(W) = Number of Wires  
 (C) = Connector Type (see page 112)  
 (L) = Length of Sensor and Lead (mm)

CC/MODEL	ENGINE	OE-NO.	DATE	(W)	(C)	(L)	NTK PART NO.	STOCK NO.
<b>TRIUMPH</b>								
<b>600</b>								
Daytona 600		22 01 347	01.03→12.05	4	97	640	OZA591-UB1	0067
Speed Four		22 01 347	01.02→	4	97	640	OZA591-UB1	0067
<b>885</b>								
Thunderbird Sport		22 01 347	01.03→12.04	4	97	640	OZA591-UB1	0067
<b>955</b>								
Daytona 955i		22 01 347	01.01→	4	97	640	OZA591-UB1	0067
Speed Triple		22 01 347	01.01→12.05	4	97	640	OZA591-UB1	0067
Sprint RS		22 01 347	01.01→12.04	4	97	640	OZA591-UB1	0067
Sprint ST		22 01 347	01.01→12.04	4	97	640	OZA591-UB1	0067
Tiger		22 01 347	01.03→	4	97	640	OZA591-UB1	0067
<b>1050</b>								
Sprint ST		22 01 347	01.05→	4	97	640	OZA591-UB1	0067
Speed Triple		22 01 347	01.06→12.07	4	97	640	OZA591-UB1	0067
<b>1600</b>								
Thunderbird			07.09→	4	80	250	AZD0101-VB004	7690
<b>2300</b>								
Rocket III		22 01 247	01.04→	4	97	535	OZA591-UB2	0008
Rocket III Classic		22 01 247	01.06→	4	97	535	OZA591-UB2	0008

# CONNECTOR TYPES

	Part No.	Stock No.
31 	OZA591-YB1	<b>0011</b>
	OZA591-SZ1	<b>1767</b>
33 	OZA222-SG2	<b>0034</b>
40 	OZA341-BB1	<b>0036</b>
68 	OZA447-E28	<b>0427</b>
	OZA630-BM3	<b>0074</b>
69 	OZA522-BM1	<b>0053</b>
	OZA522-BM2	<b>0054</b>
80 	OZA448-J4	<b>0003</b>
	OZA448-J5	<b>0004</b>
	OZA577-H17	<b>0007</b>
	AZD0101-VB004	<b>7690</b>
96 	OZA577-H15	<b>0064</b>
	OZA577-H6	<b>0065</b>
97 	OZA591-UB1	<b>0067</b>
	OZA591-UB2	<b>0008</b>
	OZA591-VB2	<b>0009</b>
99 	OZA630-BM2	<b>0073</b>